

SERVICE

565HK AND 565HKM TELEPHONE SETS

1. GENERAL

- 1.01 This section provides connection information for the 565HK (MD) and 565HKM telephone sets (Fig. 1).
- 1.02 Reissued to:
- Change 2.09 to include lead colors
 - Change Note 4, Fig. 1 and 2 to include lead colors.
- 1.03 The 565HKM modular telephone set is similar to the 565HK except the modular G15A handset with its associated H4DU handset cord and 616D jack assembly is used in place of the hard-wired G3A-type handset and cord.

2. CONNECTIONS

- 2.01 These sets are factory-wired for use with 1A1 or 1A2 KTS, 3-type or 4A speakerphone, and individual or common line ringer (Fig. 1 and 2).
- 2.02 When used with 1A KTS and optional features, modify set wiring as shown in Fig. 3 or 4.
- 2.03 The hold key position can be illuminated, but 51A lamp is not furnished with set and must be ordered separately.
- 2.04 All convertible key positions are supplied as pickup keys. To convert from pickup (locking) to signaling (nonlocking), remove the 811218924 (P-12A892) screw detail from key positions involved. Make necessary wiring change as shown in Table A.
- 2.05 Early model 565HK sets were furnished from the factory with H1A (MD) ringer, current models have H1B ringer.
- 2.06 The sets are factory-equipped with a KS-20419L1 (10 volt ac only) buzzer.
- 2.07 A 812559623 (P-25E962) auxiliary terminal strip (ordered separately) is available for auxiliary services such as buzzers, lamps, etc.
- 2.08 A D-179935 Kit of Parts (ordered separately) can be installed in the set when the exclusion feature is required. Connections are made in accordance with Table B.
- 2.09 ♦When a 565HK or 565HKM telephone set is not used as a speakerphone set and is multiplied with any other set furnishing speakerphone feature, speakerphone leads must be disconnected, insulated and stored either at the telephone set or at the multiplying point. If not disconnected, the speakerphone leads will provide a common path between the circuits of the multiplied telephone sets. The leads to be removed are as follows: T1 (V-G), R1 (G-V), P3 (V-BR), P4 (BR-V), AG (V-S), and LK (S-V). Speakerphone connections are shown in Division 512.♦
- 2.10 Installation of optional items such as exclusion, auxiliary terminal strips, etc., and maintenance information common to 6-button sets can be found in Section 502-500-120.

NOTICE

Not for use or disclosure outside the
Bell System except under written agreement

♦TABLE A♦

PICKUP-SIGNAL KEY CONVERSION

KEY TEL SET	CONVERTIBLE KEY OPTIONS	KEY LEADS			
		BR	Y-BR	S-R	BR-BK
565HK and 565HKM	HPPPPP	M	M	M	X
	HPPPPS	M	M	M	SG
	HPPSSS	M	M	SG	X
	HPPSSS	X	M	SG	X
	HPPP*P*S*	X	M	5H	N
	HPP*P*P*S*	X	X	5H	N

* These pickup key options are used on private or intercommunicating lines with the signal key common to each line.

♦TABLE B♦

EXCLUSION SWITCH CONNECTIONS

EXCLUSION	KEY TEL SYS	EXCLUSION SWITCH LEADS							
		BL-W	W-BL	O-W	W-O	BL-V	V-BL	O-V	V-O
On any line	1A	R*	T*	1B†	H*	ER	ET	EB	EH
	1A1 or 1A2	R*	T*	EB	H*	ER	ET	EB	EH

* Terminal of line to be excluded.

† When other than line 1 is excluded on 1A KTS, disconnect, insulate, and store O-W mounting cord conductor from terminal 1B; connect balance lead conductor from line involved to 1B.

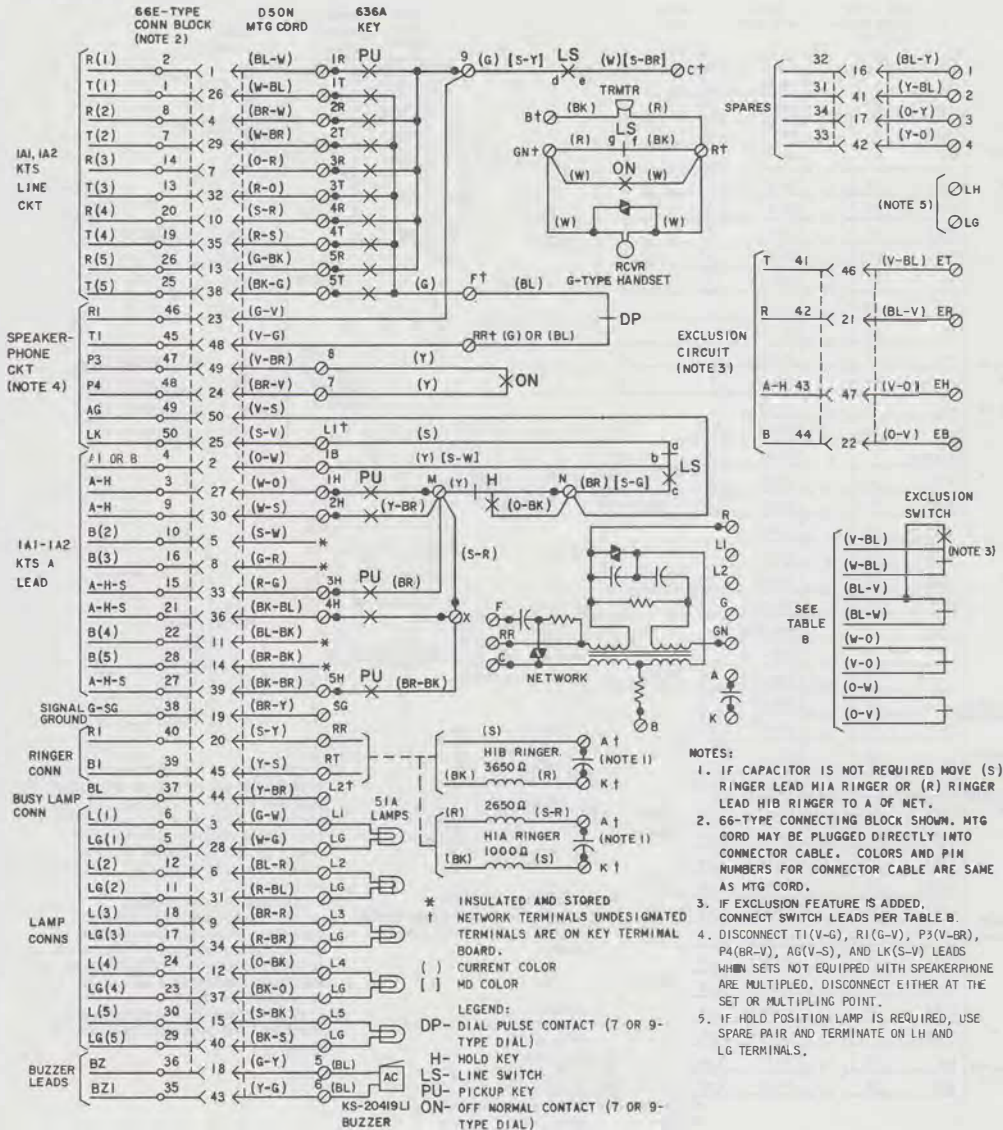


Fig. 1—565HK (MD) Telephone Set, Connections

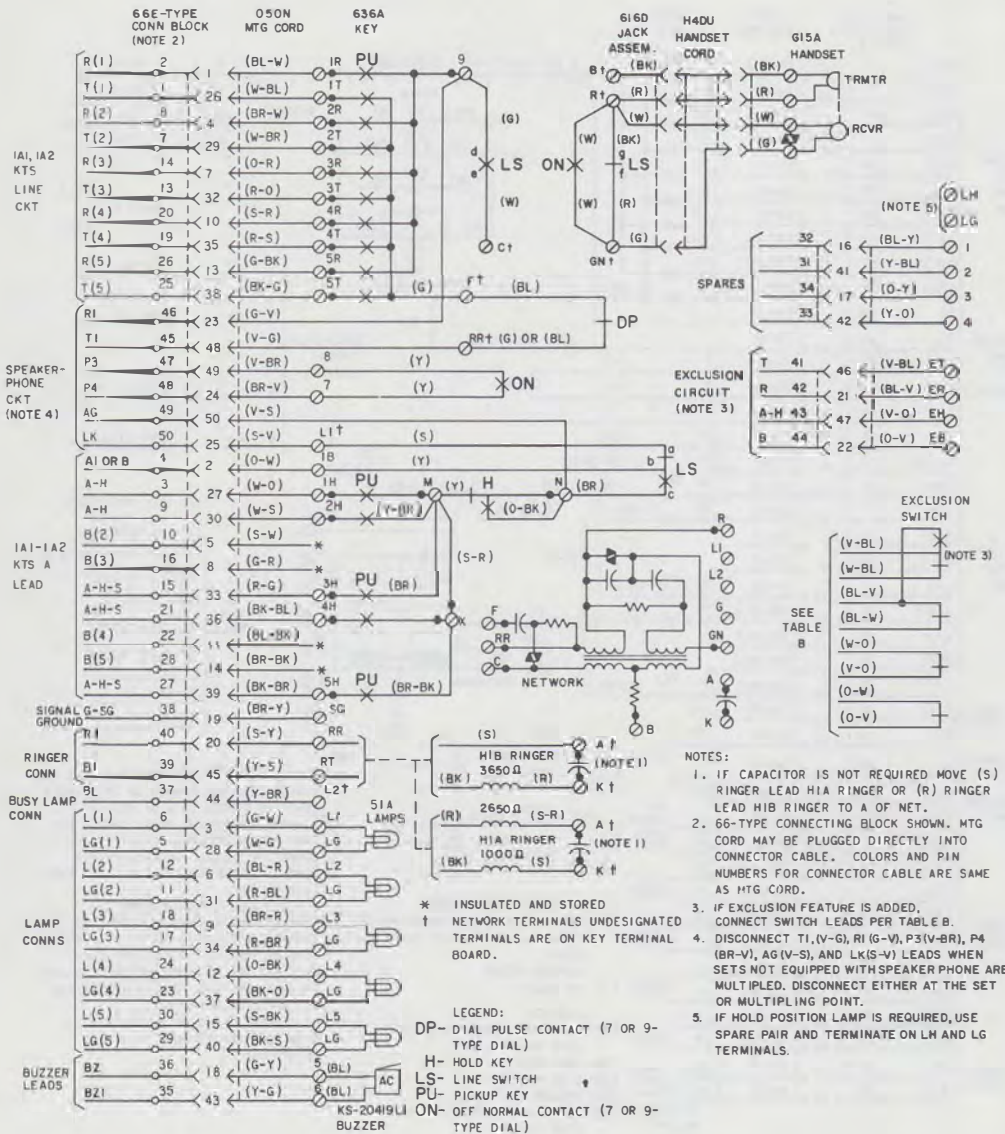
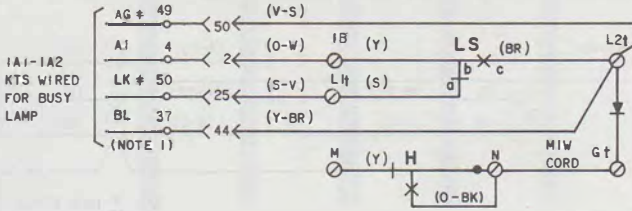
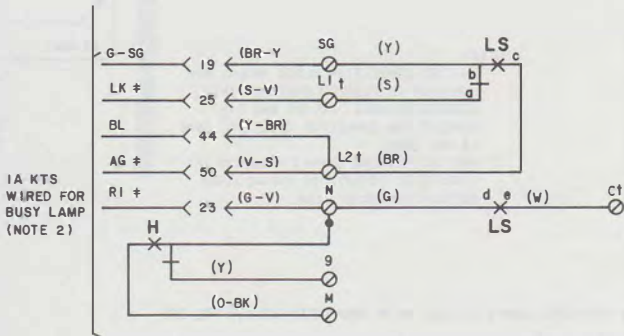


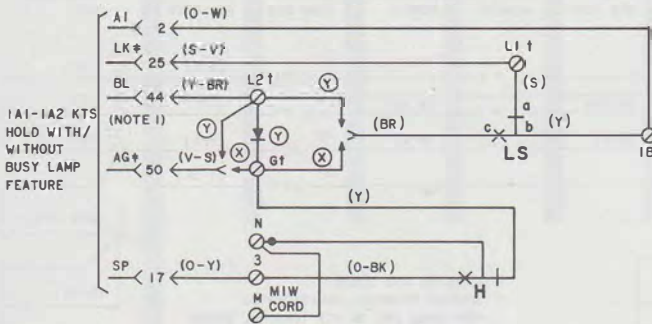
Fig. 2—565HKM Telephone Set, Connections



STATION BUSY LAMP MODIFICATION IA1-IA2 KTS		
LEAD	FROM	TO
(BR)	N	L2†
(V-S)	N	L2†
KS-15724LI DIODE		L2† TO G†
MIW CORD		N TO G†



STATION BUSY LAMP MODIFICATION IA KTS		
LEAD	FROM	TO
(Y)	IB	SG
(BR)	N	L2†
(V-S)	N	L2†
(G-V)	9	N
(G)	9	N
(Y)	M	9
(O-BK)	N	M



STATION BUSY LAMP I HOLD IA1-IA2 KTS			
	LEAD	FROM	TO
WITH BUSY LAMP (Y) OPTION	(BR)	N	L2†
	(V-S)	N	L2†
	KS-15724LI DIODE		L2† TO G†
	(O-BK)	N	3
	(Y)	M	G†
	MIW CORD		N TO M
WITHOUT BUSY LAMP (X) OPTION	(BR)	N	G†
	(V-S)	N	G†
	(O-BK)	N	3
	(Y)	M	G†
MIW CORD		N TO M	

NOTES:

1. USE "B" BATTERY SUPPLY FROM KTS IF AVAILABLE. DO NOT USE 10V AC LAMP BATTERY FOR BUSY LAMP.
2. FOR IA KTS WITHOUT BUSY LAMP, INSULATE AND STORE (Y-BR) D50N MTG CORD LEAD.

† NETWORK TERMINALS-UNDESIGNATED
TERMINALS ARE ON KEY TERMINAL BOARD

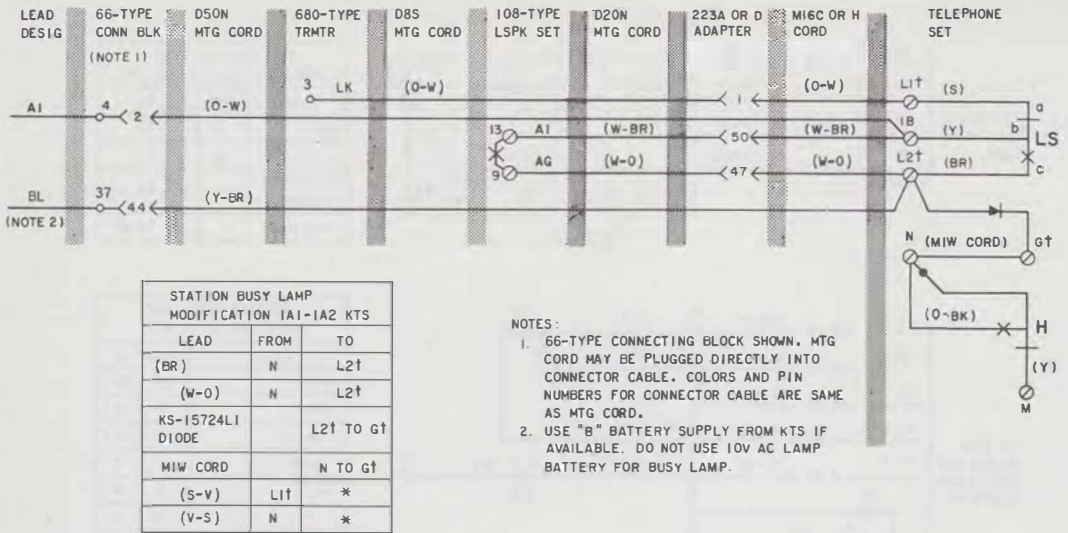
* 3-TYPE SPEAKERPHONE LEAD

H-HOLD KEY

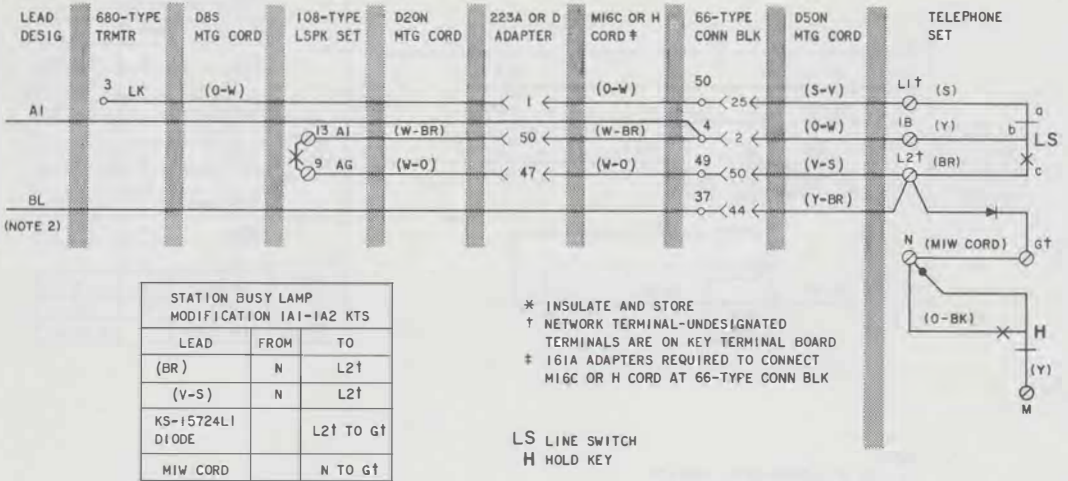
LS-LINE SWITCH

Fig. 3—Optional Features with 3-Type Speakerphone

SECTION 502-541-415

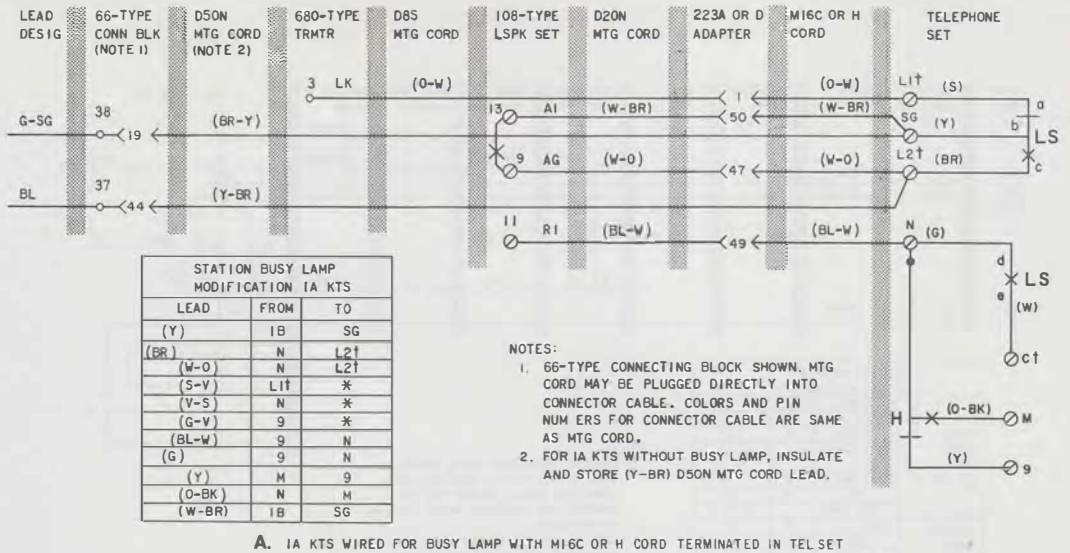


A. 1A1-1A2 KTS WIRED FOR BUSY LAMP WITH M16C OR H CORD TERMINATED IN TEL SET

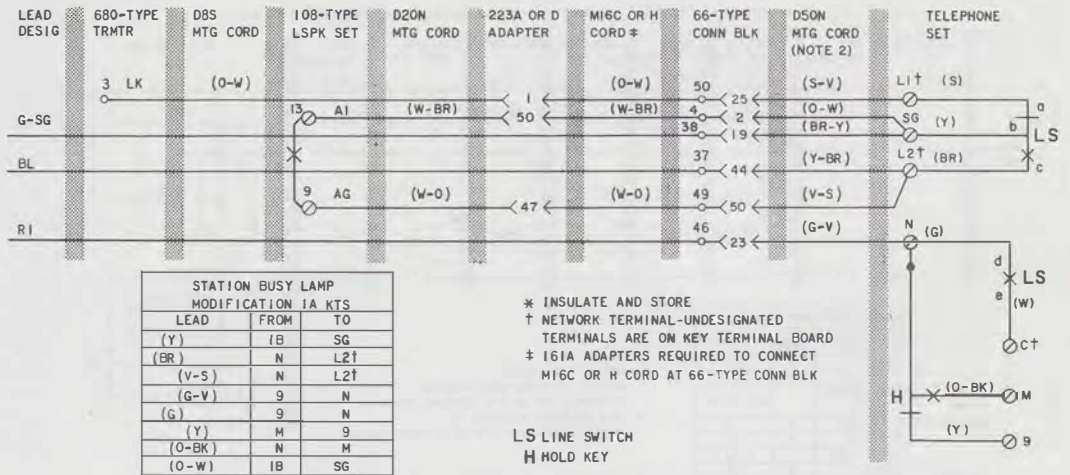


B. 1A1-1A2 KTS WIRED FOR BUSY LAMP WITH M16C OR H CORD TERMINATED AT 66-TYPE CONN BLK

Fig. 4—Optional Features with 4A Speakerphone (Sheet 1 of 3)

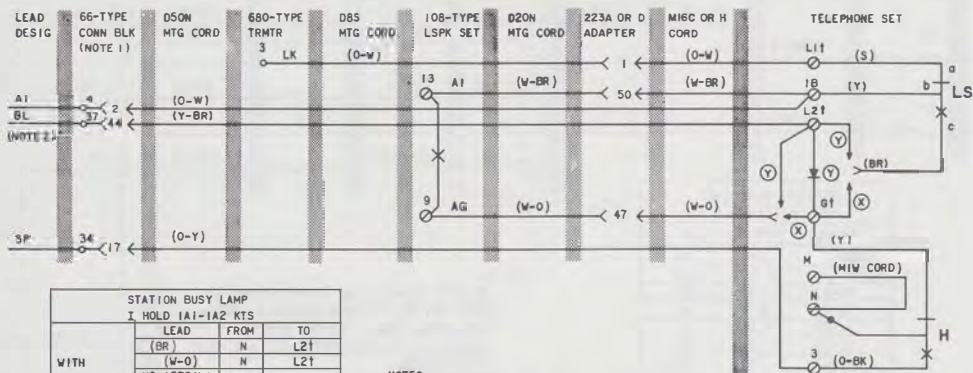


A. IA KTS WIRED FOR BUSY LAMP WITH MI6C OR H CORD TERMINATED IN TEL SET



B. IA KTS WIRED FOR BUSY LAMP WITH MI6C OR H CORD TERMINATED AT 66-TYPE CONN BLK

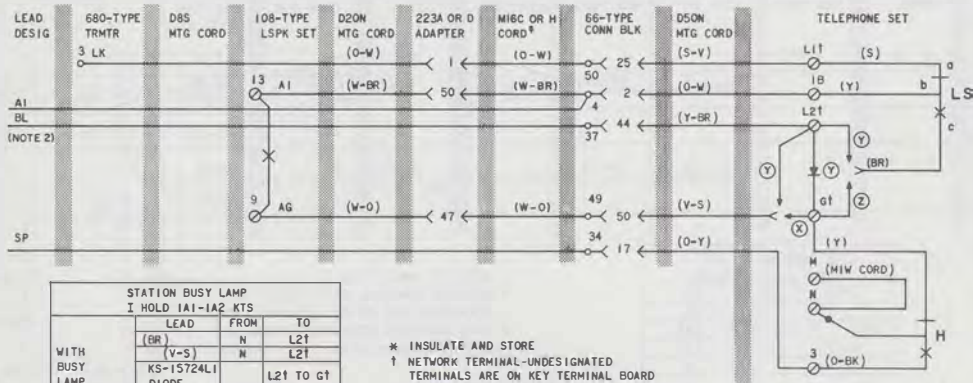
Fig. 4—Optional Features with 4A Speakerphone (Sheet 2 of 3)



STATION BUSY LAMP I HOLD IA1-IA2 KTS			
	LEAD	FROM	TO
WITH BUSY LAMP (Y) OPTION	(BR)	N	L21
	(W-0)	N	L21
	KS-15724L1 DIODE		L21 TO G1
	(0-BK)	N	3
	(Y)	M	G1
WITHOUT BUSY LAMP (X) OPTION	(BR)	N	G1
	(W-0)	N	G1
	(0-BK)	N	3
	(Y)	M	G1
WITH OR WITHOUT BUSY LAMP	MIW CORD	N TO M	
	(S-V)	L11	*
	(V-S)	N	*

- NOTES:
- 66-TYPE CONNECTING BLOCK SHOWN. MTG CORD MAY BE PLUGGED DIRECTLY INTO CONNECTOR CABLE. COLORS AND PIN NUMBERS FOR CONNECTOR CABLE ARE SAME AS MTG CORD.
 - USE "B" BATTERY SUPPLY FROM KTS IF AVAILABLE. DO NOT USE 10V AC LAMP BATTERY FOR BUSY LAMP

A. IA1-IA2 KTS WIRED FOR BUSY LAMP AND I HOLD WITH MI6C OR H CORD TERMINATED IN TEL SET



STATION BUSY LAMP I HOLD IA1-IA2 KTS			
	LEAD	FROM	TO
WITH BUSY LAMP (Y) OPTION	(BR)	N	L21
	(V-S)	N	L21
	KS-15724L1 DIODE		L21 TO G1
	(0-BK)	N	3
	(Y)	M	G1
WITHOUT BUSY LAMP (X) OPTION	(BR)	N	G1
	(V-S)	N	G1
	(0-BK)	N	3
	(Y)	M	G1
WITH OR WITHOUT BUSY LAMP	MIW CORD	N TO M	

- * INSULATE AND STORE
 † NETWORK TERMINAL-UNDESIGNATED TERMINALS ARE ON KEY TERMINAL BOARD
 ‡ 161A ADAPTERS REQUIRED TO CONNECT MI6C OR H CORD AT 66-TYPE CONN BLK

LS LINE SWITCH
 H HOLD KEY

B. IA1-IA2 KTS WIRED FOR BUSY LAMP AND I HOLD WITH MI6C OR H CORD TERMINATED AT 66-TYPE CONN BLK

Fig. 4—Optional Features with 4A Speakerphone (Sheet 3 of 3)