

## SERVICE

### 2565LK AND 2565LKM TELEPHONE SETS

#### 1. GENERAL

1.01 This section provides connection information for the 2565LK (MD) and 2565LKM telephone sets (Fig. 1).

1.02 Reissued to:

- Change 2.06 to include lead designations and color
- Revise Fig. 1, spare leads insulated and stored, change note.

1.03 ♦The 2565LKM modular telephone set is similar to the 2565LK except the modular G15A handset with its associated H4DU handset cord and 616D jack assembly is used in place of the hard-wired G3A-type handset and cord.♦

#### 2. CONNECTIONS

2.01 These sets are factory-wired for 1A1 or 1A2 KTS, 3-type or 4A speakerphone, and individual or common line ringer. They are equipped with hold key and cutoff key. Mounting cord conductors are provided for illuminating the hold key lamp, but the lamp is not provided with the set and must be ordered separately.

2.02 When used with 1A KTS and speakerphone, modify sets as shown in Fig. 2 or 3.

2.03 These sets are factory-equipped with a KS-20419L1 (10 volt ac only) buzzer.

2.04 The H1-type ringer leads are wired to terminals RR and RT. When power failure feature is provided in the KTS, the common audible signal must be wired with capacitor in series.

2.05 If speakerphone (3-type) control unit is located near the telephone set, the mounting cord conductors can be extended to the control

unit by using a 149-type adapter or 66E-type connecting block. If control unit is located at key equipment, extend leads through an A25B connector cable or inside wiring cable. Speakerphone connections for the 2565-type telephone sets are shown in Division 512.

2.06 ♦When a 2565LK or 2565LKM telephone set is not used as a speakerphone set and is multiplied with any other set furnishing speakerphone feature, speakerphone leads must be disconnected, insulated, and stored either at the telephone set or at the multiplying point. If not disconnected, the speakerphone leads will provide a common path between the circuits of the multiplied telephone sets. The leads to be removed are as follows: T1 (V-G), R1 (G-V), IT (V-BR), IR (BR-V), AG (V-S), and LK (S-V). Speakerphone connections are shown in Division 512.♦

2.07 Exclusion can be provided with these sets by the addition of a D-179935 Kit of Parts which must be ordered separately. Exclusion switch can also be used to cutoff ringer or buzzer in set. Connect as shown in Table A.

2.08 Cutoff of extension stations, ringers, or buzzer can also be made using the cutoff key on the 589AJ key.

2.09 A polarity guard is used only when specified by local instruction for end-to-end signaling installation when battery and ground reversals may be encountered.

2.10 When polarity guard is required with these sets, install a 819040528 (P-90D052) guard assembly. Connect as shown in Table B.

2.11 A 811353135 (P-13E313) terminal strip assembly is available when additional terminating points are required for auxiliary services such as buzzers, lamp, etc. Assembly must be ordered separately.

#### NOTICE

Not for use or disclosure outside the  
Bell System except under written agreement

2.12 Installation instructions for the exclusion switch, polarity guard, and auxiliary terminal strip are given in Section 502-500-120.

removal of the 811218924 (P-12A892) screw detail. Arrange wiring as shown in Table C.

2.13 The 4th key position is convertible from line pickup (locking) to signaling (nonlocking) by

**TABLE A  
EXCLUSION SWITCH CONNECTIONS**

EXCLUSION	KEY TEL SYS	EXCLUSION SWITCH LEADS							
		BL-W	W-BL	O-W	W-O	BL-V	V-BL	O-V	V-O
On any line	1A	R*	T*	1B†	H*	ER	ET	EB	EH
	1A1 or 1A2	R*	T*	EB	H*	ER	ET	EB	EH

\* Terminal of line involved.

† When other than line 1 is excluded on 1A KTS, disconnect, insulate, and store O-W mounting cord conductor from terminal 1B; connect balance lead conductor from line involved to 1B.

**TABLE B  
POLARITY GUARD CONNECTIONS  
[819040528 (P-90D052) GUARD ASSEMBLY]**

LEAD		REMOVE FROM	CONNECT TO	
		NET.	NET.	POLARITY GUARD
Dial	BK	RR		T
	G-W	C		S
Line Switch	W	C		S
Polarity Guard	G		RR	
	W		C	

**TABLE C  
PICKUP-SIGNAL KEY CONVERSION**

KEY OPTIONS	BR-BK KEY LEAD
HPPPPC	M
HPPPSC	SG

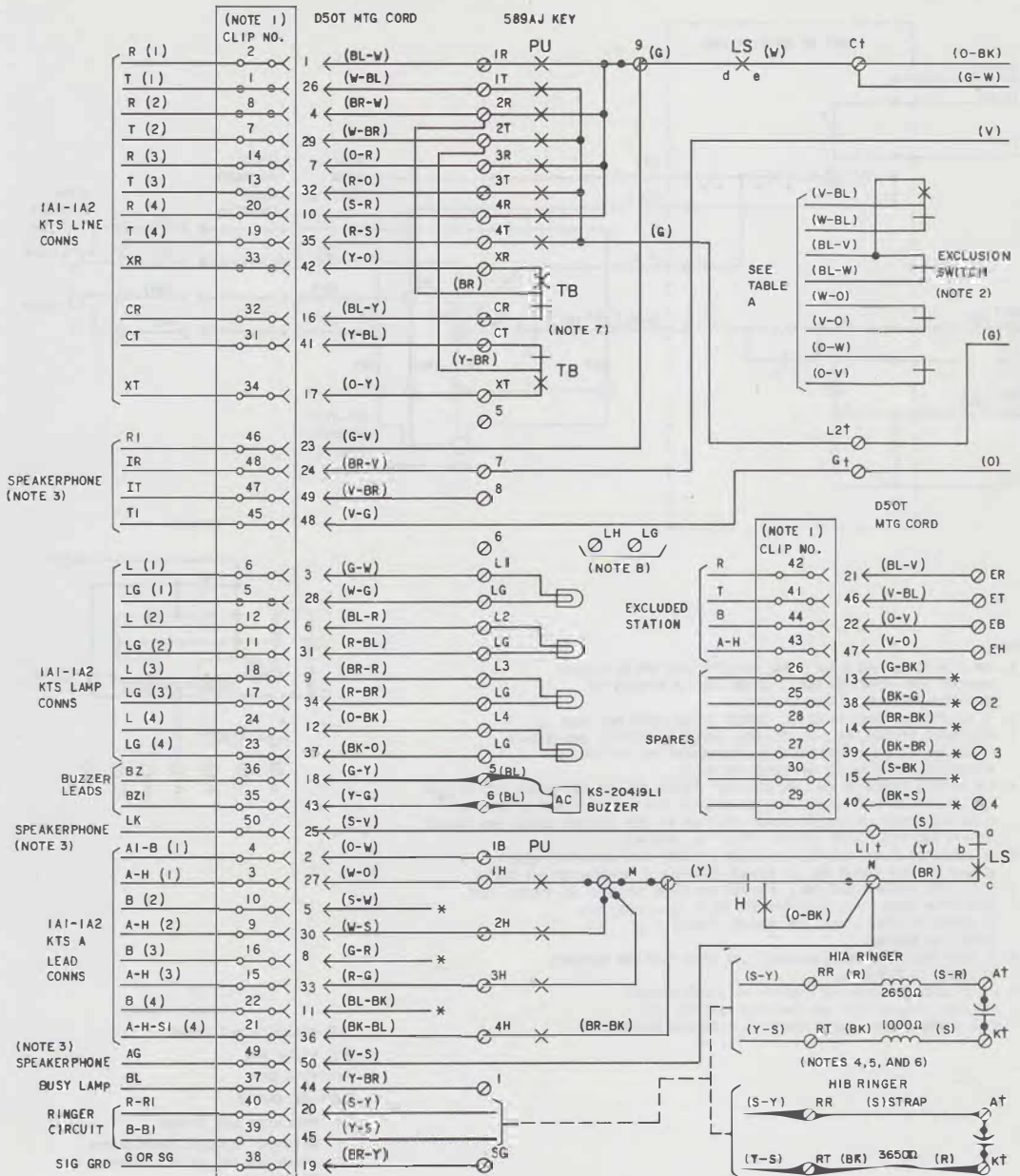
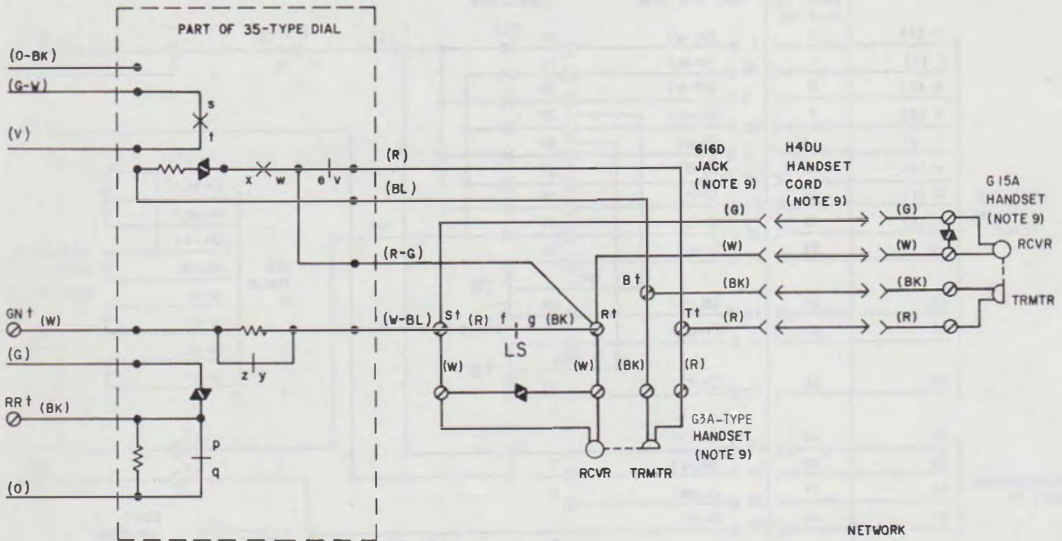


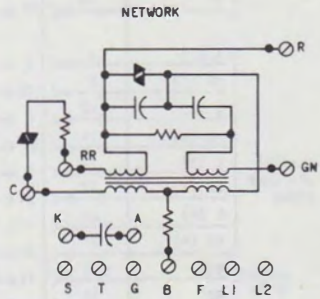
Fig. 1—2565LK (MD) or 2565LKM Telephone Set, Connections (Sheet 1 of 2)

SECTION 502-543-406



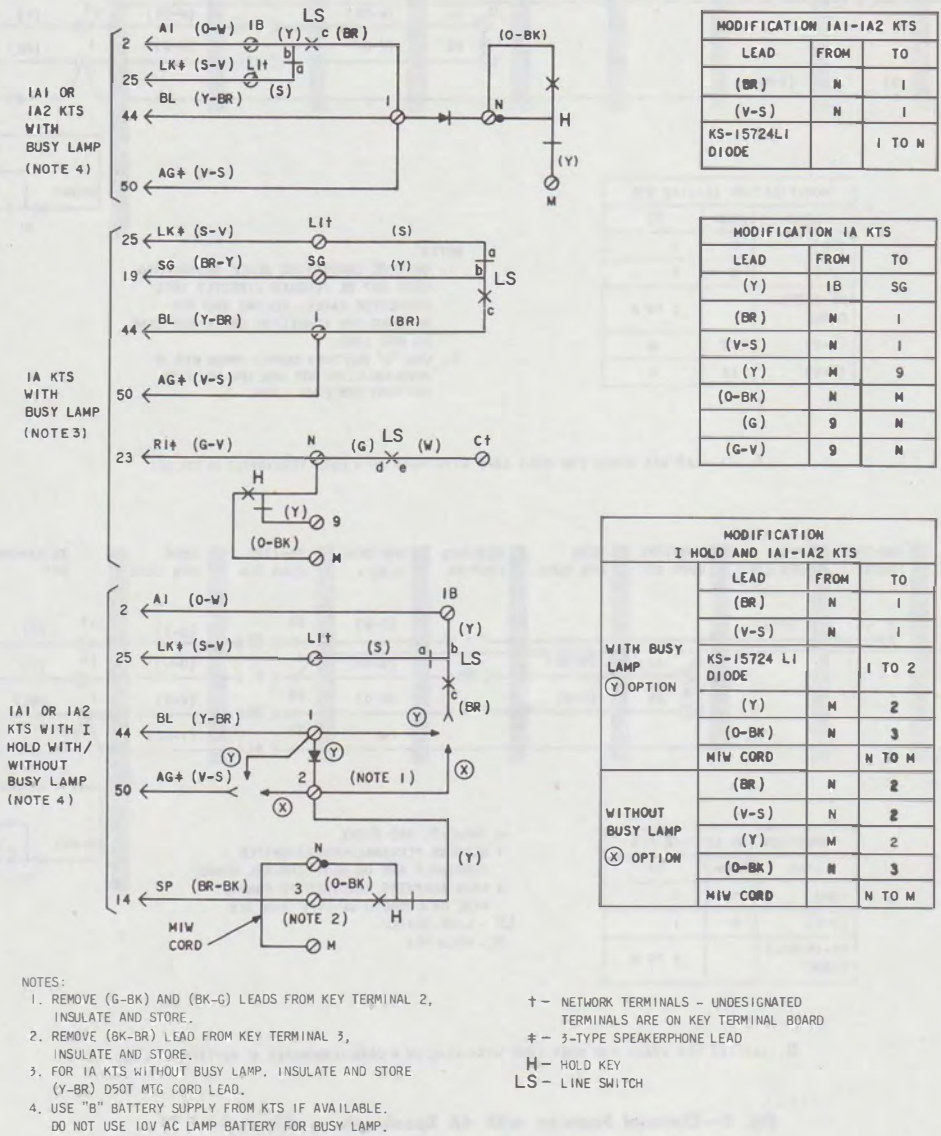
NOTES:

1. 66E-TYPE CONNECTING BLOCK SHOWN. MOUNTING CORD MAY BE PLUGGED DIRECTLY INTO CONNECTOR CABLE. COLORS AND PIN NUMBERS FOR CONNECTOR ARE SAME AS MOUNTING CORD.
2. IF EXCLUSION FEATURE IS ADDED, CONNECT SWITCH LEADS PER TABLE A.
3. DISCONNECT TI(V-G), RI(G-V) IT(V-BR), IR(BR-V), AG(V-S), AND LK(S-V) LEADS WHEN SETS NOT EQUIPPED WITH SPEAKERPHONE ARE MULTIPLIED. DISCONNECT EITHER AT SET OR MULTIPLYING POINT.
4. FOR BRIDGED RINGER ON ANY LINE USING H1A RINGER, CONNECT (R) RINGER LEAD TO RING AND (BK) RINGER LEAD TO TIP OF LINE INVOLVED. FOR BRIDGED RINGER ON ANY LINE USING H1B RINGER, REMOVE (S) STRAP LEAD FROM RR (KEY TERMINAL BOARD) AND CONNECT TO RING AND (BK) RINGER LEAD TO TIP OF LINE INVOLVED.
5. IF CAPACITOR IS NOT REQUIRED IN RINGER CIRCUIT, MOVE (S) RINGER LEAD TO A OF NETWORK FOR H1A RINGER AND (R) RINGER LEAD TO A OF NETWORK FOR H1B RINGER.
6. TO SILENCE RINGER PERMANENTLY INSULATE AND STORE (BK) AND (R) RINGER LEADS.
7. TURNBUTTON SHOWN WIRED AS CUTOFF OF LINE 2. CAN BE REWIRED AS CUTOFF OF OTHER LINES, EXT. RINGER, RINGER IN SET, ETC. CONNECT AS REQUIRED.
8. IF HOLD POSITION LAMP IS REQUIRED, USE SPARE PAIR AND TERMINATE ON LH AND LG TERMINALS.
9. 2565LK SETS ARE FURNISHED EQUIPPED WITH G3A6 HANDSET AND CORD. 2565LKM SETS ARE FURNISHED EQUIPPED WITH G15A HANDSET, H4DU HANDSET CORD, AND 616D JACK ASSEMBLY.



- TB-TURNBUTTON (CUTOFF)
- PU-PICKUP KEY
- H - HOLD KEY
- LS-LINE SWITCH
- \* INSULATED AND STORED
- † NETWORK TERMINAL-UNDESIGNATED TERMINALS ARE ON KEY TERMINAL BOARD

Fig. 1—2565LK (MD) or 2565LKM Telephone Set, Connections (Sheet 2 of 2)

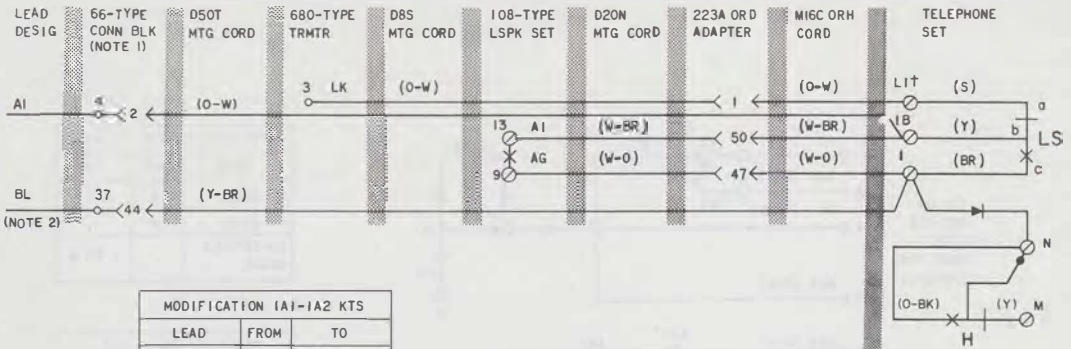


NOTES:

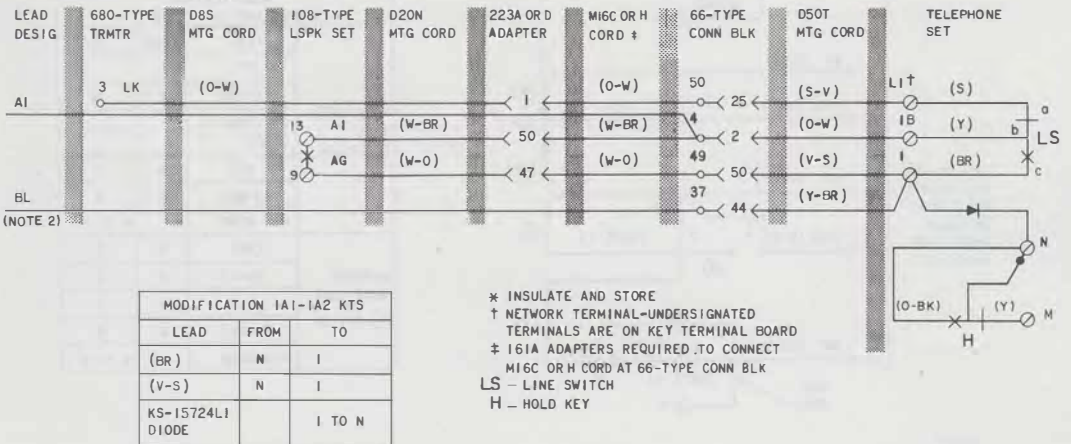
1. REMOVE (G-BK) AND (BK-G) LEADS FROM KEY TERMINAL 2, INSULATE AND STORE.
2. REMOVE (BK-BR) LEAD FROM KEY TERMINAL 3, INSULATE AND STORE.
3. FOR IA KTS WITHOUT BUSY LAMP, INSULATE AND STORE (Y-BR) D50T MTG CORD LEAD.
4. USE "B" BATTERY SUPPLY FROM KTS IF AVAILABLE. DO NOT USE 10V AC LAMP BATTERY FOR BUSY LAMP.

- † - NETWORK TERMINALS - UNDESIGNATED TERMINALS ARE ON KEY TERMINAL BOARD
- ‡ - 3-TYPE SPEAKERPHONE LEAD
- H - HOLD KEY
- LS - LINE SWITCH

Fig. 2—Optional Features with 3-Type Speakerphone

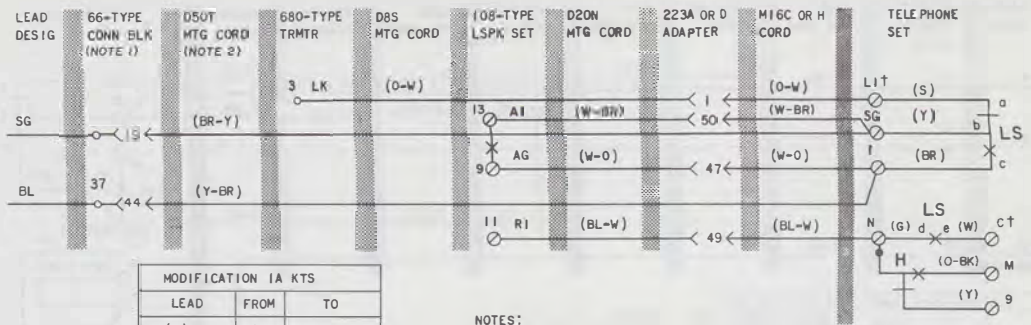


A. 1A1-1A2 KTS WIRED FOR BUSY LAMP WITH M16C OR H CORD TERMINATED IN TEL SET



B. 1A1-1A2 KTS WIRED FOR BUSY LAMP WITH M16C OR H CORD TERMINATED AT 66-TYPE CONN BLK

Fig. 3—Optional Features with 4A Speakerphone (Sheet 1 of 3)

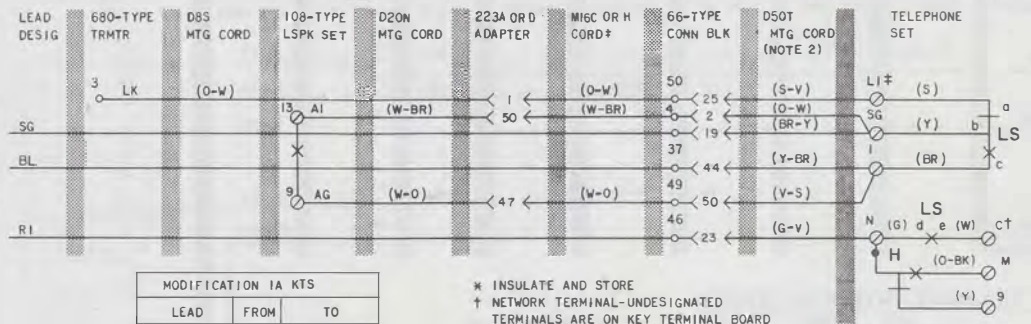


MODIFICATION IA KTS		
LEAD	FROM	TO
(Y)	1B	SG
(BR)	N	I
(W-0)	N	I
(BL-W)	9	N
(G)	9	N
(Y)	M	9
(O-BK)	N	M
(S-V)	LI†	*
(V-S)	N	*
(G-V)	9	*
(W-BR)	IB	SG

NOTES:

- 66-TYPE CONNECTING BLOCK SHOWN. MTG CORD MAY BE PLUGGED DIRECTLY INTO CONNECTOR CABLE. COLORS AND PIN NUMBERS FOR CONNECTOR CABLE ARE SAME AS MTG CORD.
- FOR IA KTS WITHOUT BUSY LAMP, INSULATE AND STORE (Y-BR) D50T MTG CORD LEAD.

A. IA KTS WIRED FOR BUSY LAMP WITH M16C OR H CORD TERMINATED IN TEL SET

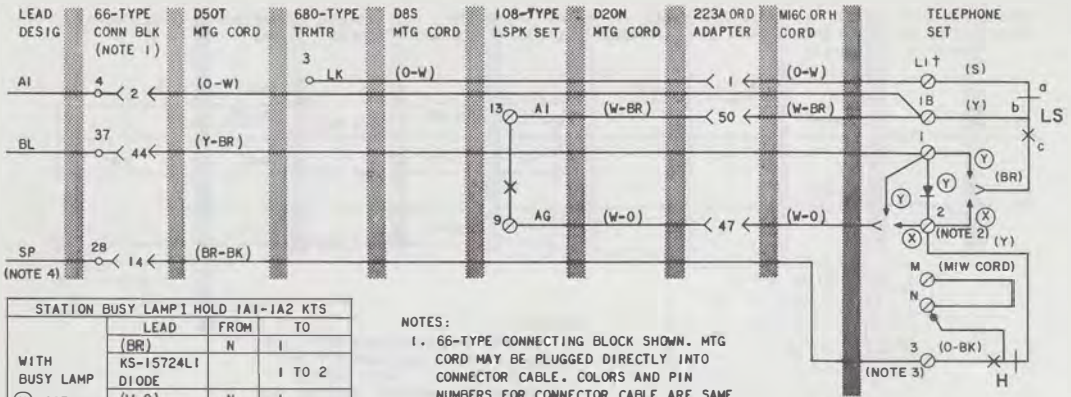


MODIFICATION IA KTS		
LEAD	FROM	TO
(Y)	1B	SG
(BR)	N	I
(V-S)	N	I
(G-V)	9	N
(G)	9	N
(Y)	M	9
(O-BK)	N	M
(O-W)	IB	SG

- \* INSULATE AND STORE
- † NETWORK TERMINAL-UNDESIGNATED TERMINALS ARE ON KEY TERMINAL BOARD
- ‡ 161A ADAPTERS REQUIRED TO CONNECT M16C OR H CORD AT 66-TYPE CONN BLK
- LS - LINE SWITCH
- H - HOLD KEY

B. IA KTS WIRED FOR BUSY LAMP WITH M16C OR H CORD TERMINATED AT 66-TYPE CONN BLK

Fig. 3—Optional Features with 4A Speakerphone (Sheet 2 of 3)

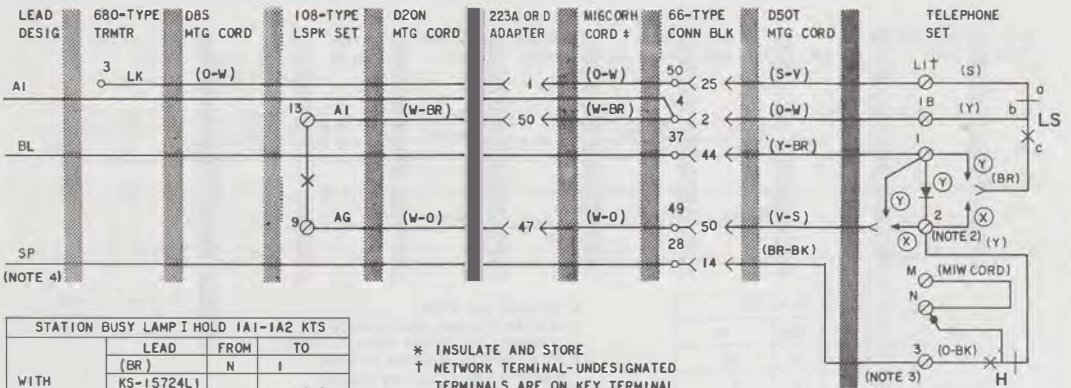


STATION BUSY LAMP I HOLD IA1-IA2 KTS		
	LEAD	FROM TO
WITH BUSY LAMP (Y) OPTION	(BR)	N 1
	KS-15724L1 DIODE	1 TO 2
	(W-0)	N 1
	(Y)	M 2
	(O-BK)	N 3
	MIW CORD	N TO M
WITHOUT BUSY LAMP (X) OPTION	(BR)	N 2
	(W-0)	N 2
	(Y)	M 2
	(O-BK)	N 3
	MIW CORD	N TO M
WITH OR WITHOUT BUSY LAMP	(S-V)	Li† *
	(V-S)	N *

NOTES:

- 66-TYPE CONNECTING BLOCK SHOWN. MTG CORD MAY BE PLUGGED DIRECTLY INTO CONNECTOR CABLE. COLORS AND PIN NUMBERS FOR CONNECTOR CABLE ARE SAME AS MTG CORD.
- REMOVE (G-BK) AND (BK-G) LEADS FROM KEY TERMINAL 2, INSULATE AND STORE.
- REMOVE (BK-BR) LEAD FROM KEY TERMINAL 3, INSULATE AND STORE.
- USE "B" BATTERY SUPPLY FROM KTS IF AVAILABLE. DO NOT USE 10V AC LAMP BATTERY FOR BUSY LAMP.

A. IA1-IA2 KTS WIRED FOR BUSY LAMP AND I HOLD WITH M16C OR H CORD TERMINATED IN TEL SET



STATION BUSY LAMP I HOLD IA1-IA2 KTS		
	LEAD	FROM TO
WITH BUSY LAMP (Y) OPTION	(BR)	N 1
	KS-15724L1 DIODE	1 TO 2
	(V-S)	N 1
	(Y)	M 2
	(O-BK)	N 3
	MIW CORD	N TO M
WITHOUT BUSY LAMP (X) OPTION	(BR)	N 2
	(V-S)	N 2
	(Y)	M 2
	(O-BK)	N 3
	MIW CORD	N TO M

- \* INSULATE AND STORE
- † NETWORK TERMINAL-UNDESIGNATED TERMINALS ARE ON KEY TERMINAL BOARD
- ‡ 161A ADAPTERS REQUIRED TO CONNECT M16C OR H CORD AT 66-TYPE CONN BLK

LS - LINE SWITCH  
H - HOLD KEY

B. IA1-IA2 KTS WIRED FOR BUSY LAMP AND I HOLD WITH M16C OR H CORD TERMINATED AT 66-TYPE CONN BLK

Fig. 3—Optional Features with 4A Speakerphone (Sheet 3 of 3)