

SEE ADDENDUM

SERVICE
570 TELEPHONE SETS
(EMERGENCY REPORTING)

1. GENERAL

1.01 This section provides connection information for the 570 (emergency reporting) telephone sets.

1.02 Reissued to:

- Show all 570-type telephone set codes MD
- Show 8L, 8M, 8N, and 8P apparatus units MD
- Revised all apparatus unit connection drawings
- Add Table A to convert available 8J and 8K apparatus units to obtain equivalent MD units

- Add connections for 8J and 8K apparatus units manufactured after September 30, 1971 (Fig. 6)

1.03 ♦The 8J and 8K apparatus unit codes have been retained. To obtain a 570 telephone set the appropriate 8J or 8K apparatus unit and 111-type apparatus box must be ordered separately. For ordering and reference information refer to Section 502-501-119.

1.04 Table A describes modifications to obtain the equivalent of the MD apparatus units from the available 8J or 8K units.

1.05 Table B describes types of fasteners for 29-type apparatus brackets.

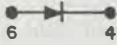
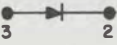
1.06 Fig. 9 shows methods of mounting 29-type bracket on various surfaces.♦

♦ TABLE A ♦

MODIFICATION OF 8J AND 8K APPARATUS UNITS TO OBTAIN EQUIVALENT MD UNITS

APPARATUS UNIT	DIRECT LINE SYSTEM		CONCENTRATOR SYSTEM			
	WITHOUT SELECTIVE ROUTING	WITH SELECTIVE ROUTING	WITHOUT SELECTIVE ROUTING		WITH SELECTIVE ROUTING	
	WITH OR WITHOUT LONG LINES CIRCUITS	WITH OR WITHOUT LONG LINES CIRCUIT	WITHOUT LONG LINES CIRCUIT	WITH LONG LINES CIRCUIT	WITHOUT LONG LINES CIRCUIT	WITH LONG LINES CIRCUIT
8J	Note 1 or 2		Notes 1, 3	Note 1		
8K		Note 4 or 5			Notes 4,6,7, 8,3	Notes 4,6,7, 8

Notes:

- 8J: Factory wiring (X option)
- 8J: Y option (for Unigauge Outside Plant)
- Replace 7300 Ω resistor with 446F diode, connecting anode to terminal 6, TB1. 
- 8K: Factory wiring (X option)
- 8K: Y option (for Unigauge Outside Plant)
- Remove (O) lead from terminal 12 and connect to terminal 3 on TB1.
- Remove (W-O) strap from terminal 10 and connect to terminal 12 on TB1.
- Connect parallel combination or 47,000 Ω 1 watt resistor and 400E diode between terminals 2 and 3 on TB1 with anode of diode on terminal 3. 

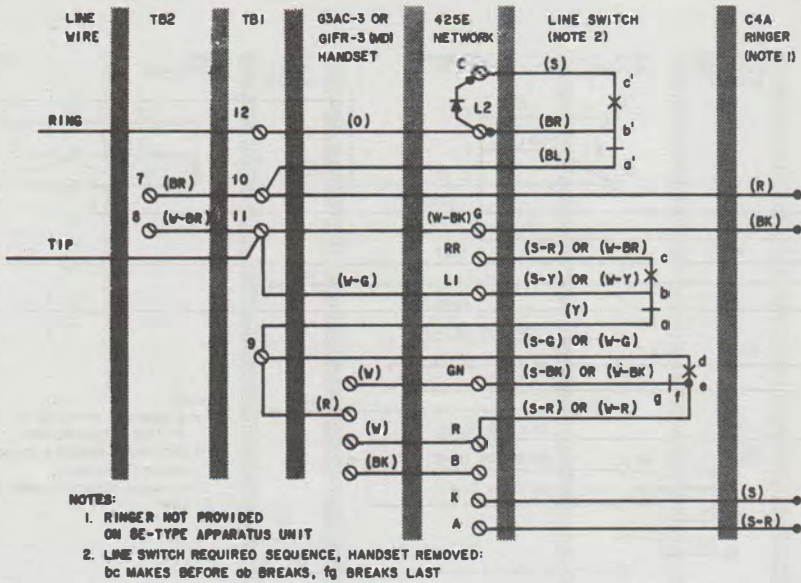


Fig. 1—8A (MD) and 8E (MD) Apparatus Units, Connections

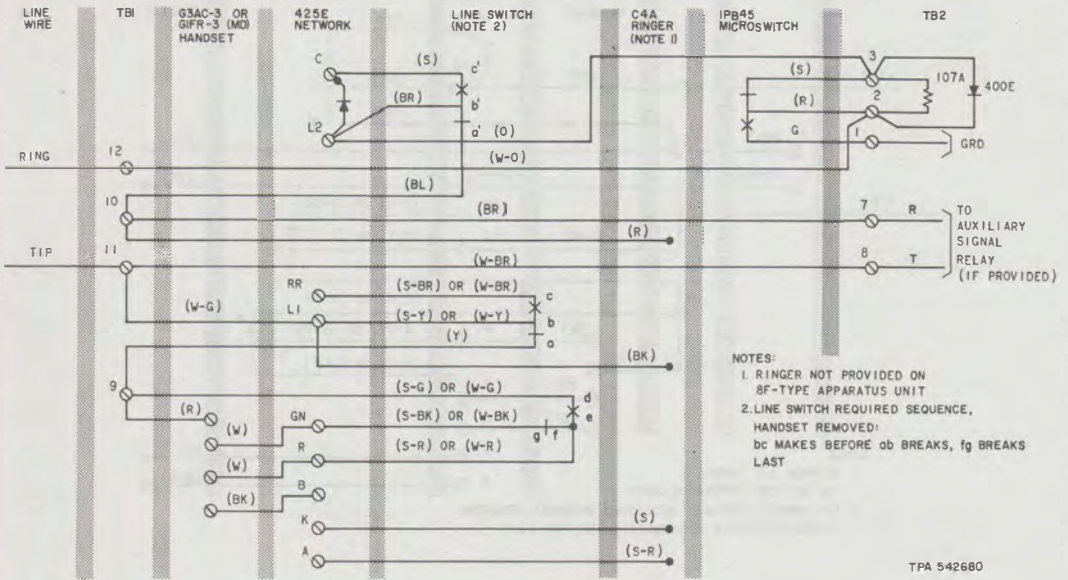


Fig. 2—8B (MD) and 8F (MD) Apparatus Units, Connections

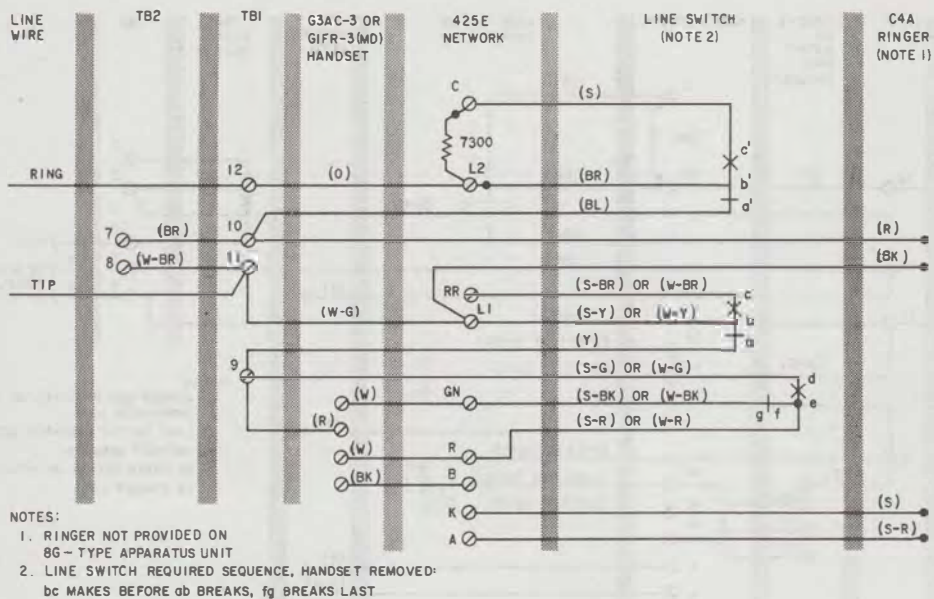


Fig. 3—8C (MD) and 8G (MD) Apparatus Units, Connections

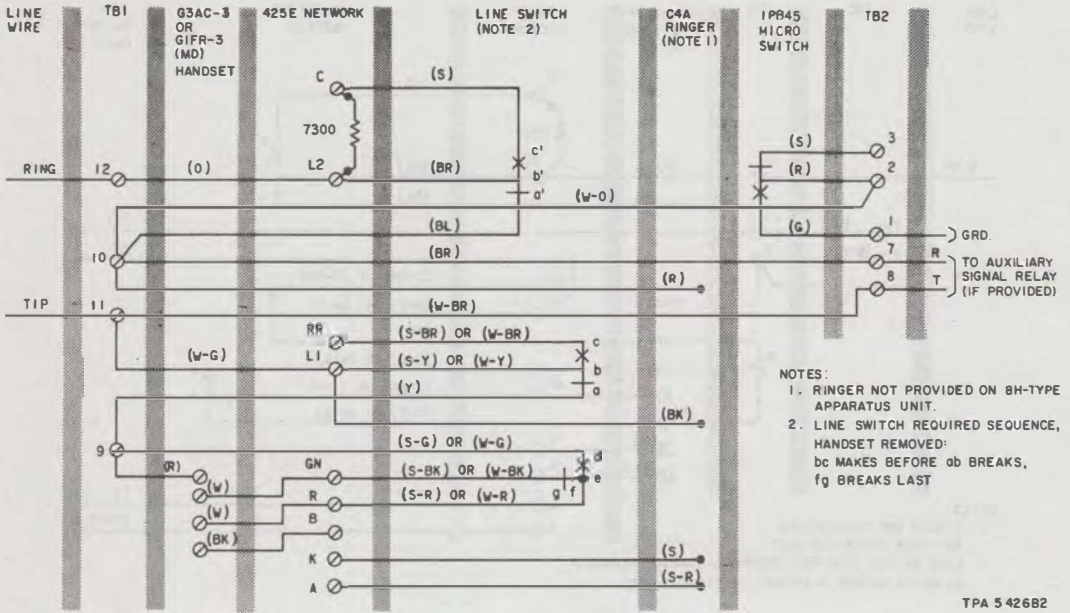
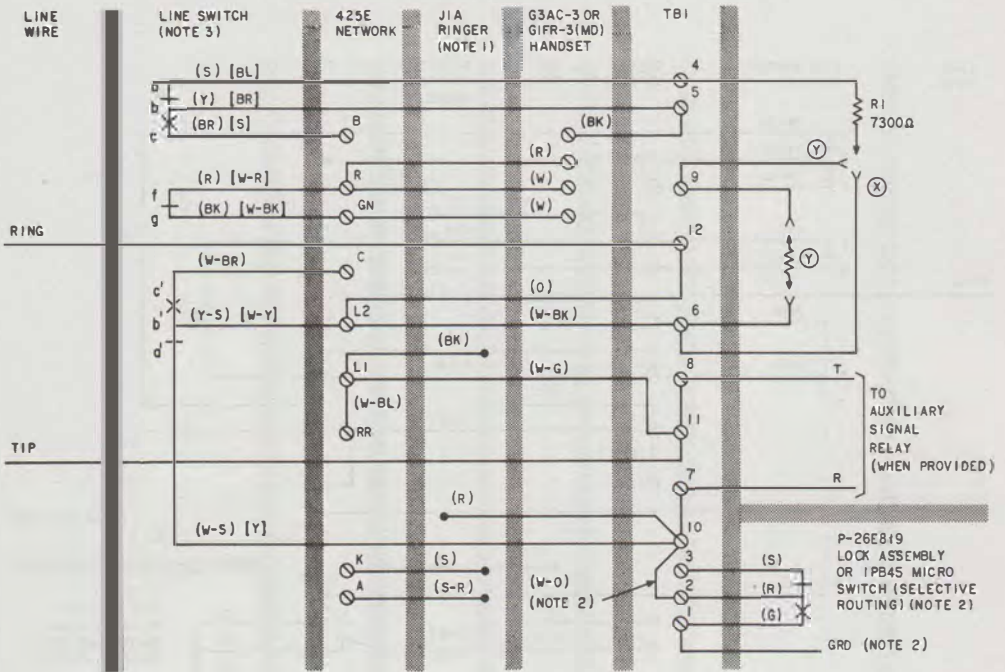


Fig. 4—8D (MD) and 8H (MD) Apparatus Units, Connections



NOTES:

1. RINGER NOT PROVIDED IN 8N- AND 8P-TYPE APPARATUS UNIT.
2. NOT PROVIDED ON 8J-AND 8N-TYPE APPARATUS UNIT.
- (X)-FACTORY WIRING
- (Y)-UNIGAGE OUTSIDE PLANT (KS-14603L2C 3700 OHM)RESISTOR
- []-CURRENT COLOR CODE
- []-MD COLOR CODE

3. LINE SWITCH SEQUENCE, HANDSET REMOVED:

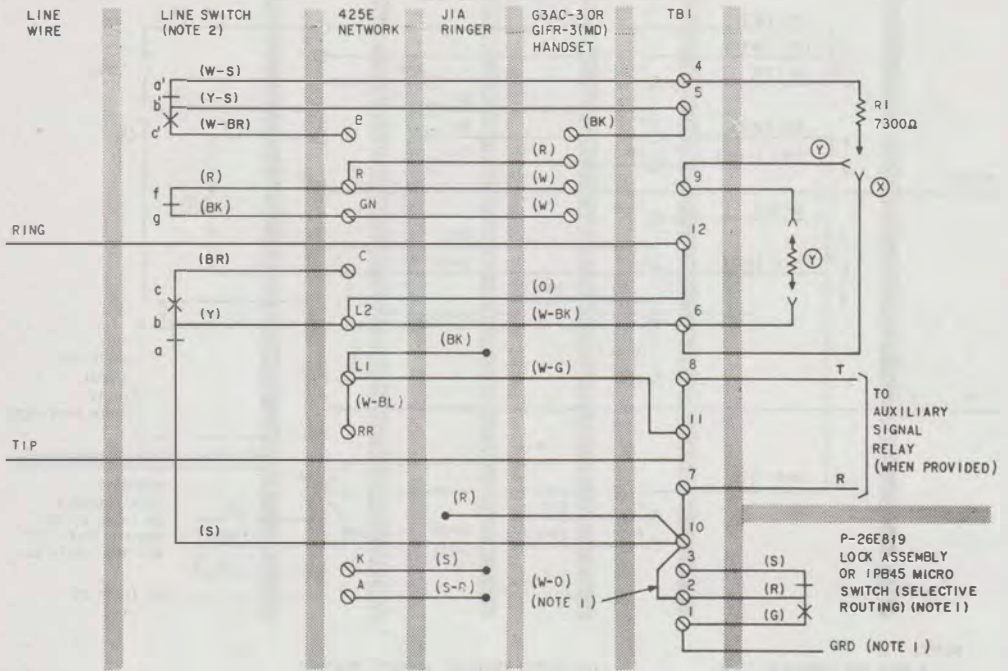
- a' b' - BREAKS
- c b - MAKES
- a b - BREAKS
- c' b' - MAKES
- g f - BREAKS

P-26E819
LOCK ASSEMBLY
OR 1PB45 MICRO
SWITCH (SELECTIVE
ROUTING) (NOTE 2)

GRD (NOTE 2)

TPA 542634

Fig. 5—8J, 8K, 8N (MD) and 8P (MD) Apparatus Units, Early Connections (MFD prior to Sept. 30, 1971)

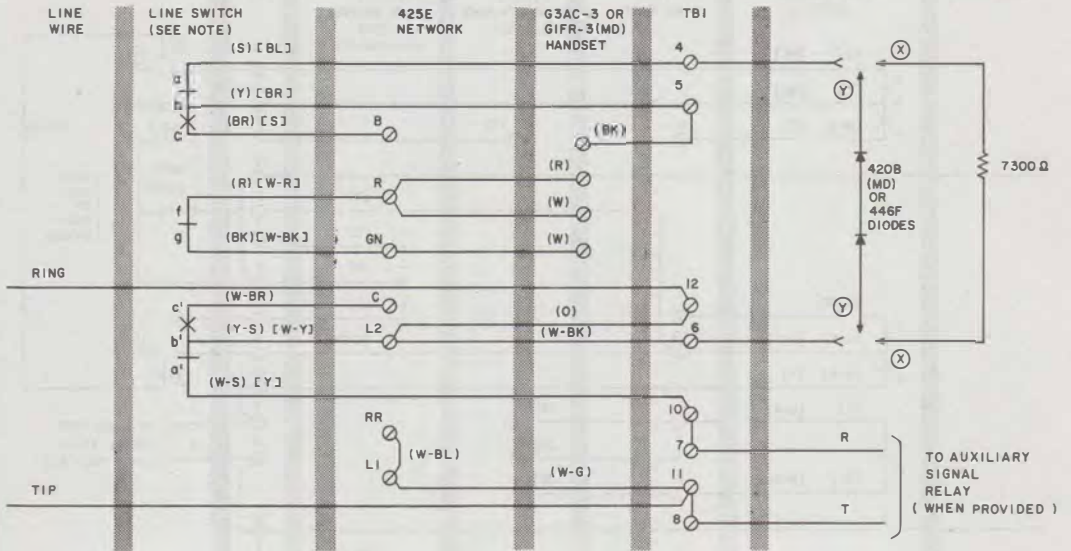


NOTES:

1. NOT PROVIDED ON BJ APPARATUS UNIT.
 2. LINE SWITCH REQUIRED SEQUENCE, HANDSET REMOVED:
cb AND c'b' MAKE BEFORE ab BREAKS,
fg BREAKS LAST.
- (X) - FACTORY WIRING
 (Y) - UNIGAGE OUTSIDE PLANT
 (KS-14603L2C 3700 OHM) RESISTOR

TPA 563585

Fig. 6—8J and 8K Apparatus Units, Current Connections (MFD after Sept. 30, 1971)

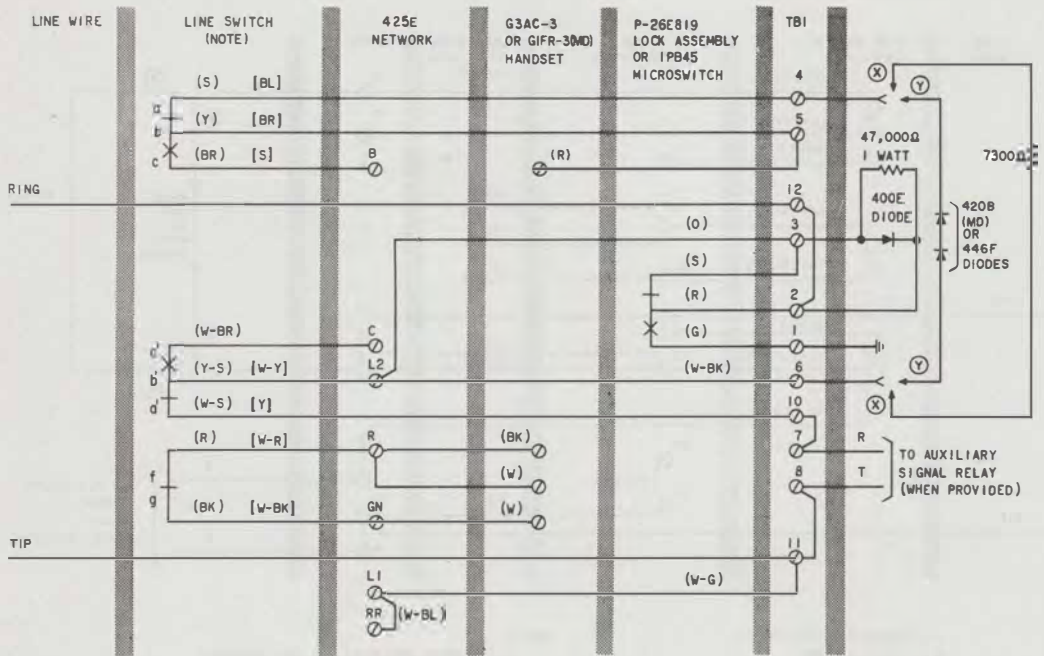


- () - CURRENT COLOR CODE
- [] - MD COLOR CODE
- (X) - WITH LONG LINE CIRCUIT AND CONCENTRATOR ARRANGEMENT
- (Y) - WITHOUT LONG LINE CIRCUIT

NOTE:
 LINE SWITCH SEQUENCE, HANDSET REMOVED:
 a'b' - BREAKS b'c' - MAKES
 c b - MAKES fg - BREAKS
 ab - BREAKS

TPA 542637

Fig. 7—8L (MD) Apparatus Unit, Connections



NOTE:

LINE SWITCH SEQUENCE, HANDSET REMOVED:	() - CURRENT COLOR CODE
a'b' - BREAKS	[] - MD COLOR CODE
b'c' - MAKES	(X) - WITH LONG LINE CIRCUIT AND CONCENTRATOR ARRANGEMENT
c b - MAKES	(Y) - WITHOUT LONG LINE CIRCUIT
a b - BREAKS	
f g - BREAKS	

Fig. 3—8M (MD) Apparatus Unit, Connections

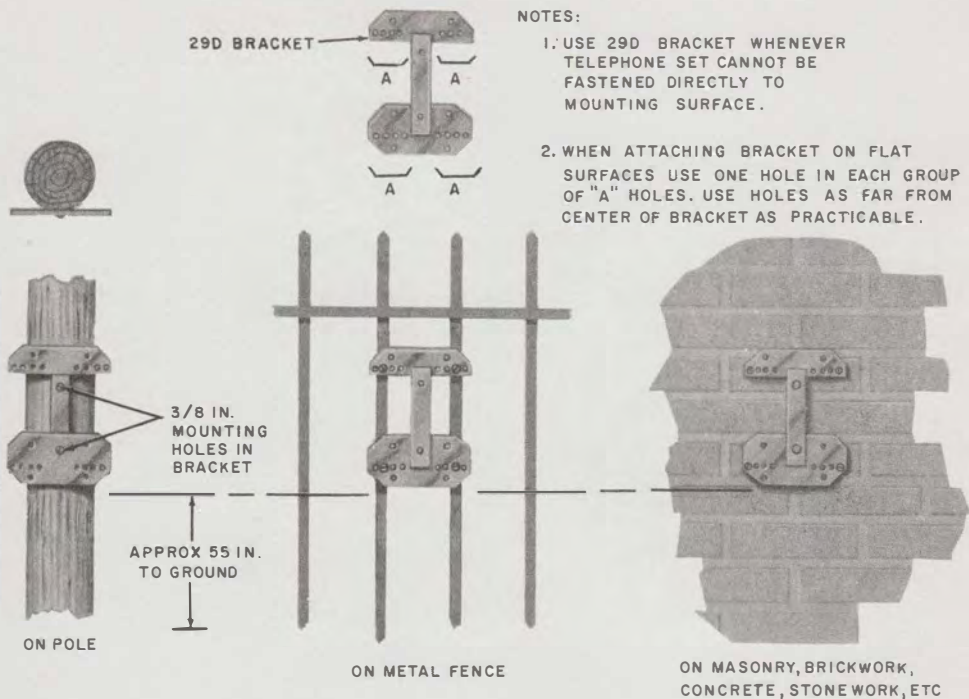


Fig. 9—29-Type Bracket Mounted on Various Surfaces

TABLE B
FASTENERS FOR 29-TYPE APPARATUS BRACKETS

SURFACE	QUAN	FASTENERS
Wood	4	1-1/2 in. No. 14 RH galvanized wood screws
Wood poles	4	2-1/2 in. or longer No. 14 RH galvanized wood screws
Wood poles (where diameter of pole is 8 inches or less)	2	5/16 x 3 in. coach screws or 2-1/2 in. or longer No. 14 RH galvanized wood screws
Finished masonry, brickwork, concrete, etc	4	5/16 x 2-1/4 in. hammer drive anchors, or approved equivalent
Solid metal — metal fences, columns, etc*	4	1 x 5/16 in. No. 18 RH brass machine screws. Drill and tap holes using 17/24 in. drill and 5/16 in. No. 18 tap
Hollow tile, corrugated metal, plaster board, etc	4	1/4 x 4 in. RH toggle bolts

* Iron straps, bolts, etc may be used where local instructions permit. Attach telephone set securely.

SEE ADDENDUM

SERVICE
570 TELEPHONE SETS
(EMERGENCY REPORTING)

1. GENERAL



- 1.01** This section provides connection information for the 570 (emergency reporting) telephone sets.
- 1.02** Reissued to:
- Show all 570-type telephone set codes MD
 - Show 8L, 8M, 8N, and 8P apparatus units MD
 - Revised all apparatus unit connection drawings
 - Add Table A to convert available 8J and 8K apparatus units to obtain equivalent MD units
- Add connections for 8J and 8K apparatus units manufactured after September 30, 1971 (Fig. 6)
- 1.03** The 8J and 8K apparatus unit codes have been retained. To obtain a 570 telephone set the appropriate 8J or 8K apparatus unit and 111-type apparatus box must be ordered separately. For ordering and reference information refer to Section 502-501-119.
- 1.04** Table A describes modifications to obtain the equivalent of the MD apparatus units from the available 8J or 8K units.
- 1.05** Table B describes types of fasteners for 29-type apparatus brackets.
- 1.06** Fig. 9 shows methods of mounting 29-type bracket on various surfaces.

◆ TABLE A ◆

MODIFICATION OF 8J AND 8K APPARATUS UNITS TO OBTAIN EQUIVALENT MD UNITS

APPARATUS UNIT	DIRECT LINE SYSTEM		CONCENTRATOR SYSTEM			
	WITHOUT SELECTIVE ROUTING	WITH SELECTIVE ROUTING	WITHOUT SELECTIVE ROUTING		WITH SELECTIVE ROUTING	
	WITH OR WITHOUT LONG LINES CIRCUITS	WITH OR WITHOUT LONG LINES CIRCUIT	WITHOUT LONG LINES CIRCUIT	WITH LONG LINES CIRCUIT	WITHOUT LONG LINES CIRCUIT	WITH LONG LINES CIRCUIT
8J	Note 1 or 2		Notes 1, 3	Note 1		
8K		Note 4 or 5			Notes 4,6,7, 8,3	Notes 4,6,7, 8

Notes:

- 8J: Factory wiring (X option)
- 8J: Y option (for Unigauge Outside Plant)
- Replace 7300 Ω resistor with 446F diode, connecting anode to terminal 6, TB1. 
- 8K: Factory wiring (X option)
- 8K: Y option (for Unigauge Outside Plant)
- Remove (O) lead from terminal 12 and connect to terminal 3 on TB1.
- Remove (W-O) strap from terminal 10 and connect to terminal 12 on TB1.
- Connect parallel combination of 47,000 Ω 1 watt resistor and 400E diode between terminals 2 and 3 on TB1 with anode of diode on terminal 3. 

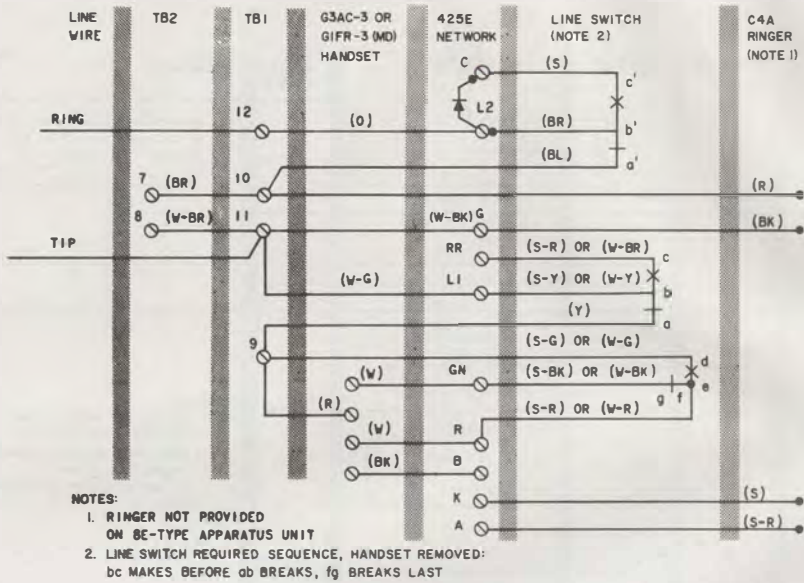


Fig. 1—8A (MD) and 8E (MD) Apparatus Units, Connections

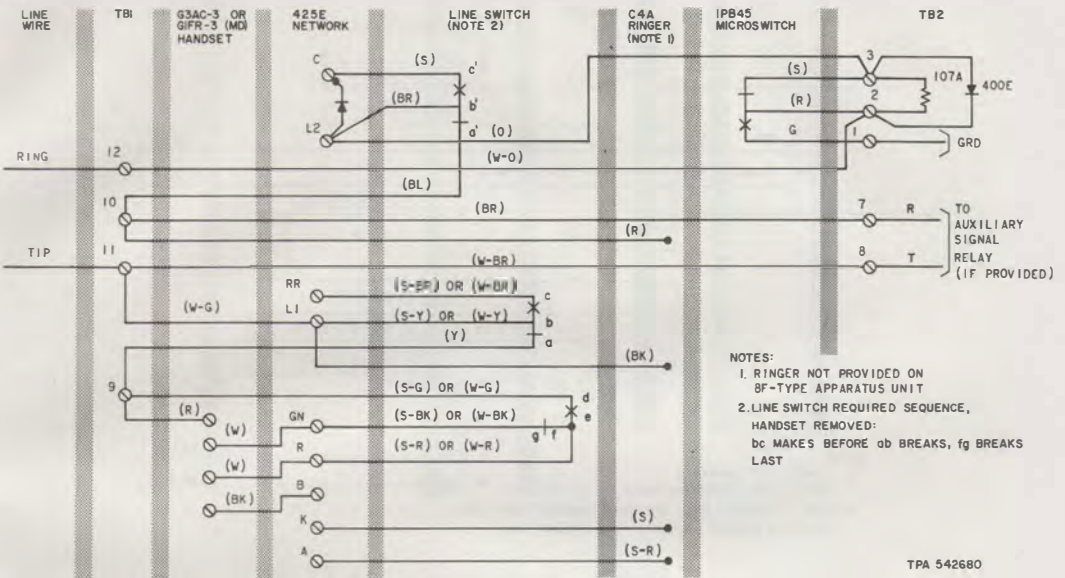


Fig. 2—8B (MD) and 8F (MD) Apparatus Units, Connections

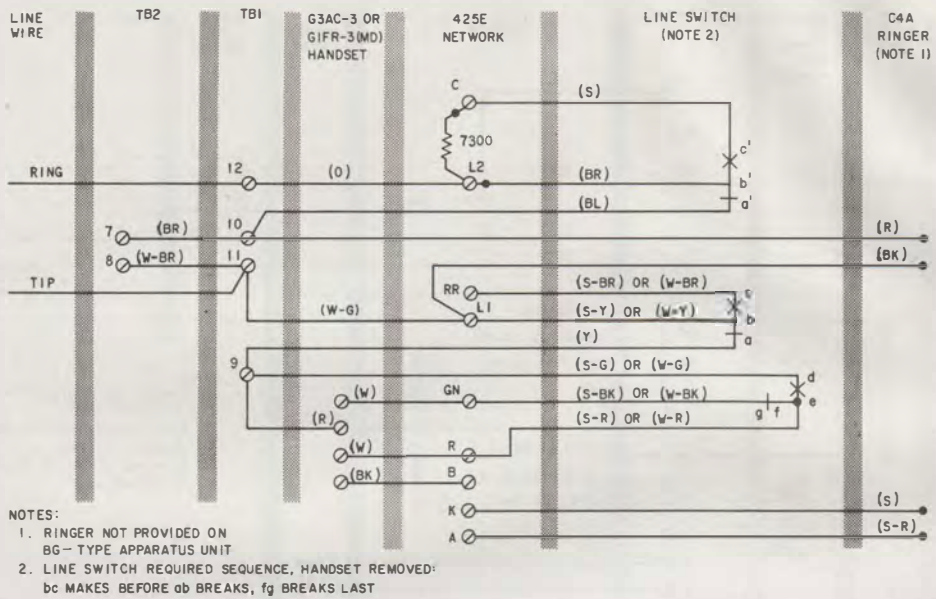


Fig. 3—8C (MD) and 8G (MD) Apparatus Units, Connections

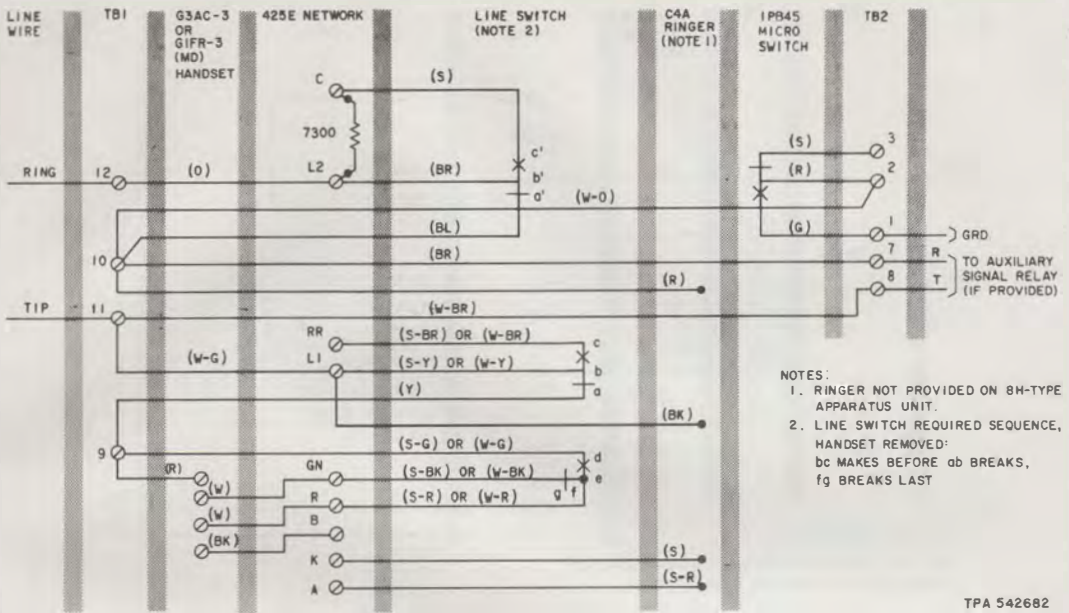
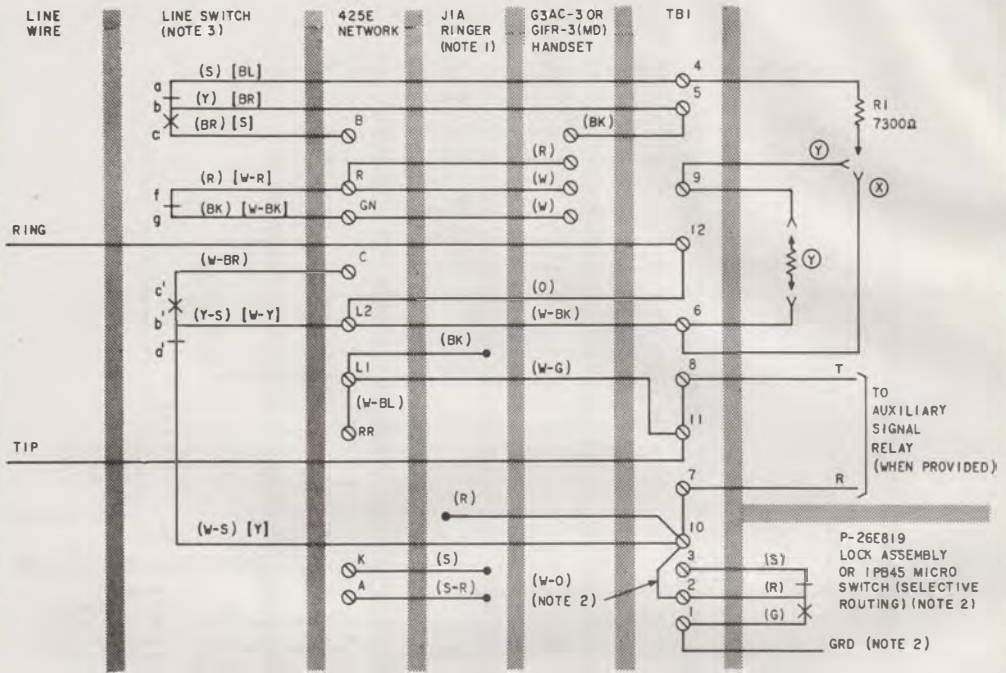


Fig. 4—8D (MD) and 8H (MD) Apparatus Units, Connections



NOTES:

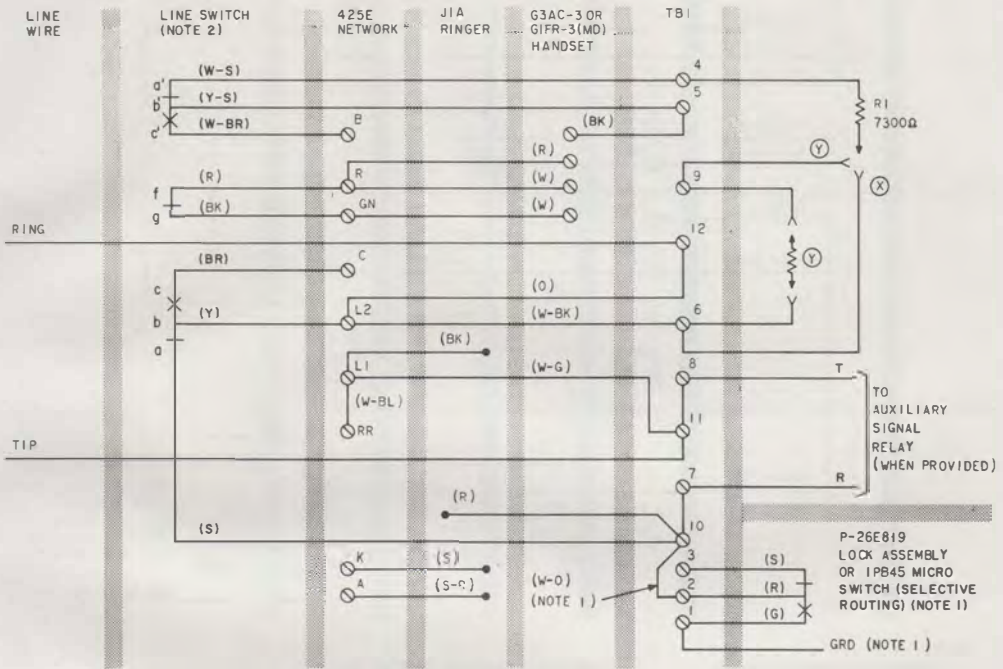
- 1. RINGER NOT PROVIDED IN 8N- AND 8P-TYPE APPARATUS UNIT.
- 2. NOT PROVIDED ON 8J-AND 8N-TYPE APPARATUS UNIT.
- (X) - FACTORY WIRING
- (Y) - UNIGAGE OUTSIDE PLANT (KS-14603L2C 3700 OHM) RESISTOR
- () - CURRENT COLOR CODE
- [] - MD COLOR CODE

3. LINE SWITCH SEQUENCE, HANDSET REMOVED:

- a' b' - BREAKS
- c b - MAKES
- a b - BREAKS
- c' b' - MAKES
- g f - BREAKS

TPA 542634

Fig. 5—8J, 8K, 8N (MD) and 8P (MD) Apparatus Units, Early Connections (MFD prior to Sept. 30, 1971)

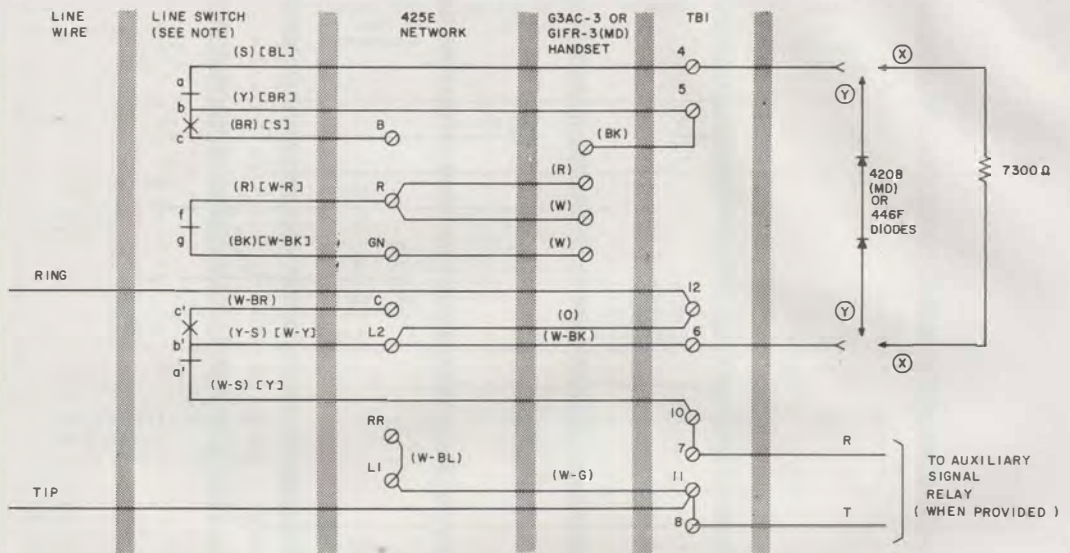


NOTES:

1. NOT PROVIDED ON BJ APPARATUS UNIT.
 2. LINE SWITCH REQUIRED SEQUENCE, HANDSET REMOVED:
cb AND c'b' MAKE BEFORE ab BREAKS,
fg BREAKS LAST.
- (X) - FACTORY WIRING
 (Y) - UNIGAGE OUTSIDE PLANT
 (KS-14603L2C 3700 OHM) RESISTOR

TPA 563581

Fig. 6—8J and 8K Apparatus Units, Current Connections (MFD after Sept. 30, 1971)

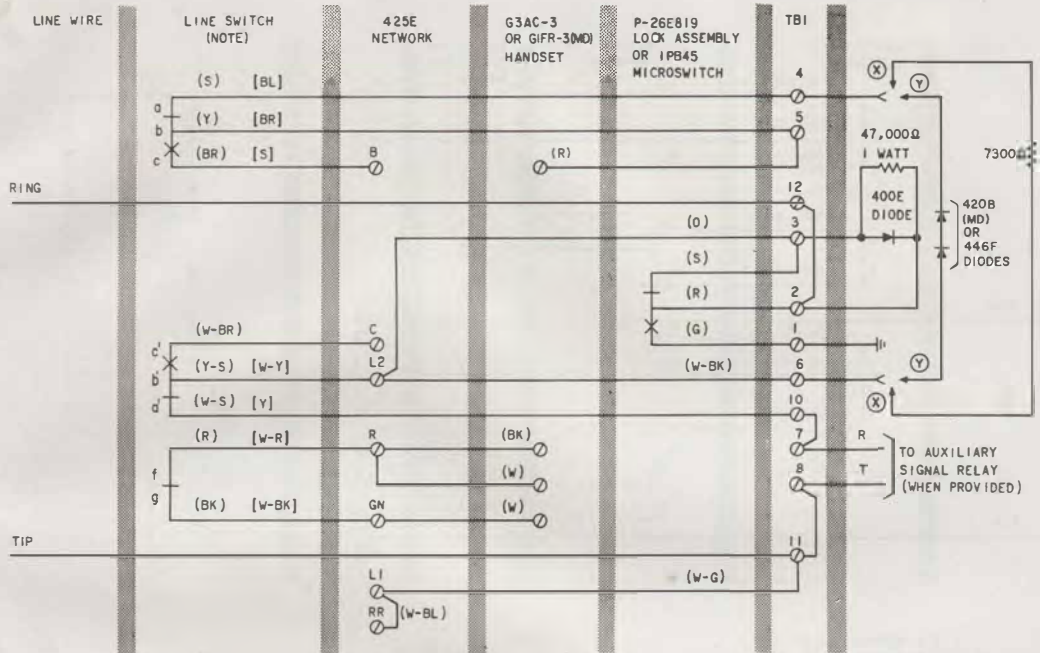


- () - CURRENT COLOR CODE
- [] - MD COLOR CODE
- (X) - WITH LONG LINE CIRCUIT AND CONCENTRATOR ARRANGEMENT
- (Y) - WITHOUT LONG LINE CIRCUIT

NOTE:
 LINE SWITCH SEQUENCE, HANDSET REMOVED:
 a'b' - BREAKS b'c' - MAKES
 cb - MAKES fg - BREAKS
 ab - BREAKS

TPA 542637

Fig. 7—8L (MD) Apparatus Unit, Connections



NOTE:

LINE SWITCH SEQUENCE, HANDSET REMOVED:	() - CURRENT COLOR CODE
a'b' - BREAKS	[] - MD COLOR CODE
b'c' - MAKES	(X) - WITH LONG LINE CIRCUIT AND CONCENTRATOR ARRANGEMENT
c b - MAKES	(Y) - WITHOUT LONG LINE CIRCUIT
a b - BREAKS	
f g - BREAKS	

Fig. 8—8M (MD) Apparatus Unit, Connections

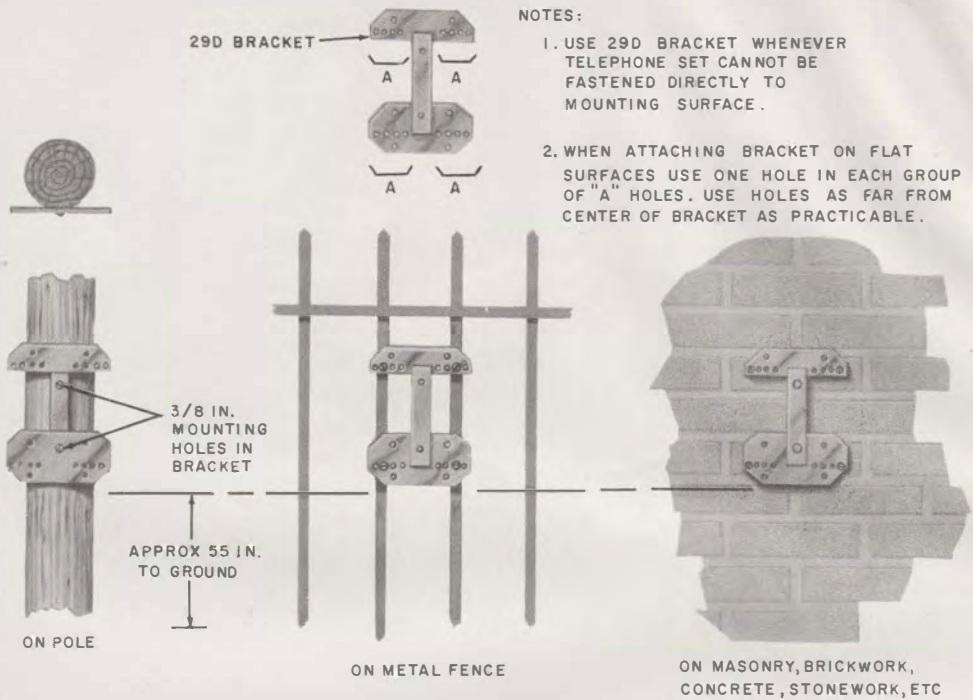


Fig. 9—29-Type Bracket Mounted on Various Surfaces

TABLE B
FASTENERS FOR 29-TYPE APPARATUS BRACKETS

SURFACE	QUAN	FASTENERS
Wood	4	1-1/2 in. No. 14 RH galvanized wood screws
Wood poles	4	2-1/2 in. or longer No. 14 RH galvanized wood screws
Wood poles (where diameter of pole is 8 inches or less)	2	5/16 x 3 in. coach screws or 2-1/2 in. or longer No. 14 RH galvanized wood screws
Finished masonry, brickwork, concrete, etc	4	5/16 x 2-1/4 in. hammer drive anchors, or approved equivalent
Solid metal — metal fences, columns, etc*	4	1 x 5/16 in. No. 18 RH brass machine screws. Drill and tap holes using 17/24 in. drill and 5/16 in. No. 18 tap
Hollow tile, corrugated metal, plaster board, etc	4	1/4 x 4 in. RH toggle bolts

* Iron straps, bolts, etc may be used where local instructions permit. Attach telephone set securely.