

SERVICE
2526B AND 2526BM TELEPHONE SETS
CONNECTIONS

1. GENERAL

1.01 This section contains information for the 2526B (MD) and 2526BM weatherproof telephone set.

1.02 Reissued to:

- Revise Tables A through G
- Revise Fig. 1 through 5
- Add Tables H and I
- Show 2526B telephone set MD
- Add Fig. 6, 7, 8, and 9.

TABLE A
FACEPLATE CODE NUMBER

FACEPLATE CODE NUMBER	INTENDED USE	
	TELEPHONE SET	OPTIONAL (KIT TYPE) FEATURES
253C1	2526B or BM (TOUCH-TONE Dial)	Single Line Service with or without Exclusion
253C2		Two Line Pick-Up Switch
253C3		Circuit Lock
253C4		Circuit Lock and Two Line Pick-Up Switch

NOTICE

Not for use or disclosure outside the
Bell System except under written agreement

Printed in U.S.A.

♦TABLE B♦

OPTIONAL FEATURE KITS FOR 2526-TYPE TELEPHONE SETS

KIT OF PARTS NUMBER	KIT COMPONENTS	INTENDED USE
D-180382 (See Note)	834854564 (P-48V456) Lock Assembly (Includes Key) 834854209 (P-48V420) Strike Plate	Mechanical lock for 526A housing door
D-180383	812750537 (P-27E053) Exclusion Switch Arm 801809500 (P-180950) Screws (two) 812750578 (P-27E057) Hook and Plunger Assembly	Provide exclusion feature
D-180385	834854580 (P-48V458) Circuit Lock Assembly 814313763 (P-43A376) Screws (two)	Disables dial on telephone set base
D-180490	834854697 (P-48V469) Plug Assembly 834854382 (P-48V438) Magnet Holder 997028493 (RM-702849) Magnetic Catch 840166763 Screws (four)	Magnetic catch for 526A housing door
D-180849	840363932 Bracket 840363840 Box 801812504 (P-181250) Screws (five) 804703361 (P-470336) Washer (two) 811713619 (P-17A361) Terminal Board Assembly Screws, Phillips Head No. 8-1/2 in. (two) Cover Cable Connector Union Pipe Nipple Galvanized 1/2 in. by 3 in. Protector 123A Jack 652A4	Provide for single line pickup
D-180850	840363832 Bracket 840363840 Box 801812504 (P-181250) Screws (five) 804703361 (P-470336) Washers (two) 811713619 (P-17A361) Terminal Board Assembly Screws, Phillips Head No. 8-1/2 in. (two) Cover Cable Connector Union Pipe Nipple Galvanized 1/2 in. by 3 in. Protector 128A Jack 652A6 Jack 623P6 834854572 (P-48V457) Switch and Arm Bracket 814454211 (P-44E421) Screws (two)	Provide for two line pickup and signaling

Note: Extra keys for 834854564 (P-48V456) lock assembly may be ordered from Western Electric Co. as their (840164545) part number.

◆ TABLE C ◆

2526B AND BM TELEPHONE SETS, RINGER CONNECTIONS

WIRE OR LEAD	COLOR	INDIV. OR BRIDGED	RING PARTY	TIP PARTY	TIP PARTY	
					IDENT. GROUND	
					1000Ω	2650Ω
Ringer Leads	R	L2*	L2*	L1	K	B
	BK †	L1	G	G	G	B
	BK ‡	L1	4§	4§	4§	B
	S	K	K	K	B	K
	S-R †	A	A	A	B	G
	S-R ‡	A	A	A	B	4§
Line Switch	S	L2	L2	L2	A	A

* Terminate (R) ringer lead on C of network when associated with 1A1 or 1A2 key system.

† 2526B set (2526BM Early Version).

‡ 2526BM set (Current Version).

§ Terminal board

Note: To silence ringer, adjust the four-step volume control to cutoff by bending the stop tab and moving the volume control wheel to a fifth position (Section 501-256-100).

TABLE D
POLARITY GUARD CONNECTIONS
[819040619 (P-90D061) GUARD ASSEMBLY]

LEAD		REMOVE FROM	CONNECT TO	
		NET.	NET.	POLARITY GUARD
Dial	BK	RR		T
Line Switch	BR	C		S
Polarity Guard	G		RR	
	W		C	

Note: For use when specified by local instructions for end-to-end signaling installation.

◆TABLE E◆

**CONNECTIONS FOR 2526B AND BM TELEPHONE SETS FOR
 1A1 OR 1A2 KEY SYSTEM**

LINE WIRE	WEATHERPROOF BOX		TELEPHONE SET			
	TERM. BOARD	652A4 JACK	623P4 JACK	LINE SWITCH	TERM. BOARD	NET.
T	L1	G	G			L1
R	L2	R	R			C
A1	K	Y	Y		10	
A	G	BK	BK		9	
				Y	10	
				BR	9	

TABLE F
2526BM TELEPHONN SET SINGLE LINE PICKUP AND EXCLUSION (D-180383
AND D-180849 KITS OF PARTS)

LINE WIRE	WEATHERPROOF BOX		TELEPHONE SET				
	TERM. BOARD	652A4 JACK	623P4 JACK	EXCLUSION KEY	LINE SWITCH	TERM. BOARD	NET.
T	L1	G	G				L1
R	L2	R	R				L2
ET	G	BK	BK			7	
ER	K	Y	Y			8	
				BK			L1
				Y			L2
				W		7	
				BR & BL		8	
					G		L1
					W		F
					Y		L2
					BR		C

TABLE G
2526BM TELEPHONE SET TWO-LINE PICKUP AND EXCLUSION (D-180383 AND D-180850 KITS OF PARTS)

LINE WIRE	WATERPROOF BOX			TELEPHONE SET			
	TERM. BOARD	652A6 JACK	623P6 JACK	TWO-LINE PICKUP AND SIGNAL KEY	EXCLUSION KEY	TERM. BOARD	NET.
T2	1	BK	BK			3	
R2	2	Y	Y			4	
T1	L1	G	G			1	
R1	L2	R	R			2	
ET	K	W	W			7	
ER	G	BL	BL			8	
				G-BK			L1
				BK		3	
				S-R			L2
				G		1	
				R		2	
				Y		4	
					BK	1	
					W	7	
					BR	8	
					BL	8	
					Y	2	

TABLE H0
25268M TELEPHONE SET TWO-LINE PICKUP AND SIGNALING (D-180850
KIT OF PARTS)

LINE WIRE	WEATHERPROOF BOX			TELEPHONE SET		
	TERM. BOARD	652A6 JACK	623P6 JACK	TWO-LINE PICKUP AND SIGNAL KEY	TERM. BOARD	NET.
T2	1	BK	BK		3	
R2	2	Y	Y		4	
T1	L1	G	G		1	
R1	L2	R	R		2	
GRD	G	BL	BL		6	
SIG	K	W	W		5	
				BK	3	
				G-BK		L1
				G	1	
				S-R		L2
				R	2	
				Y	4	
				W	5	
				BL	6	

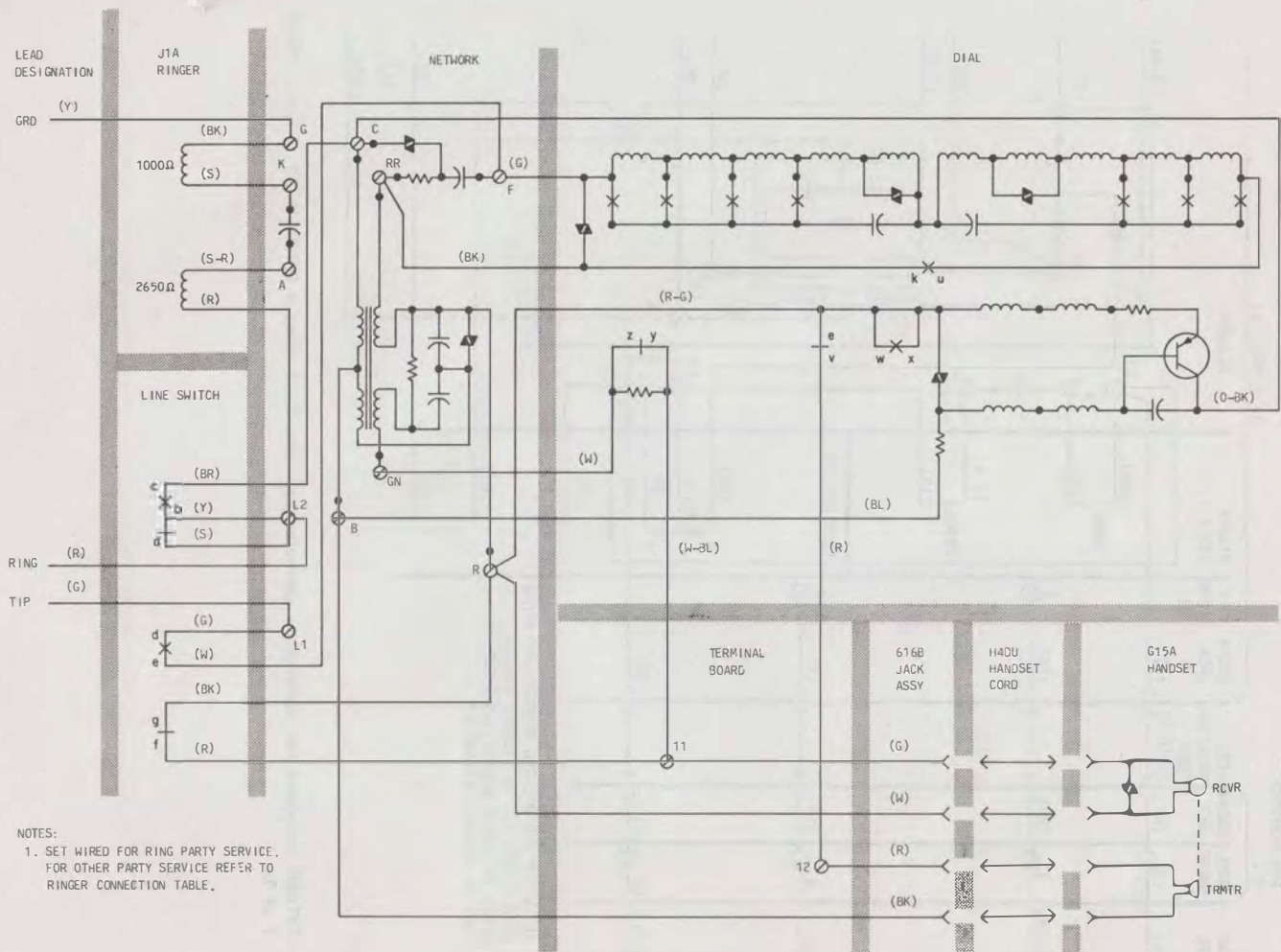
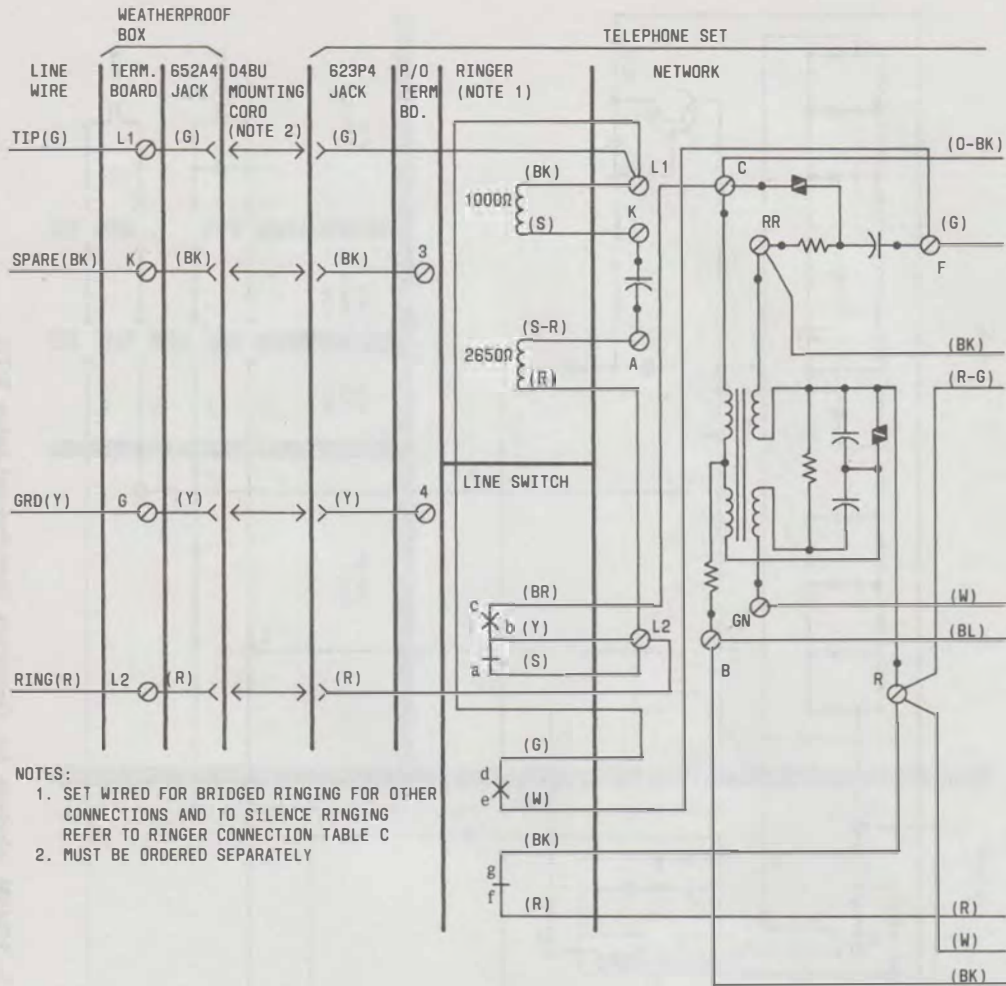


Fig. 2—2526BM Telephone Set, Connections (Manufactured before 2/77)



NOTES:
 1. SET WIRED FOR BRIDGED RINGING FOR OTHER CONNECTIONS AND TO SILENCE RINGING REFER TO RINGER CONNECTION TABLE C
 2. MUST BE ORDERED SEPARATELY

Fig. 3—2526BM Telephone Set, Connections (Manufactured after 2/77 using a D-180849 Kit of Parts) (Sheet 1 of 2)

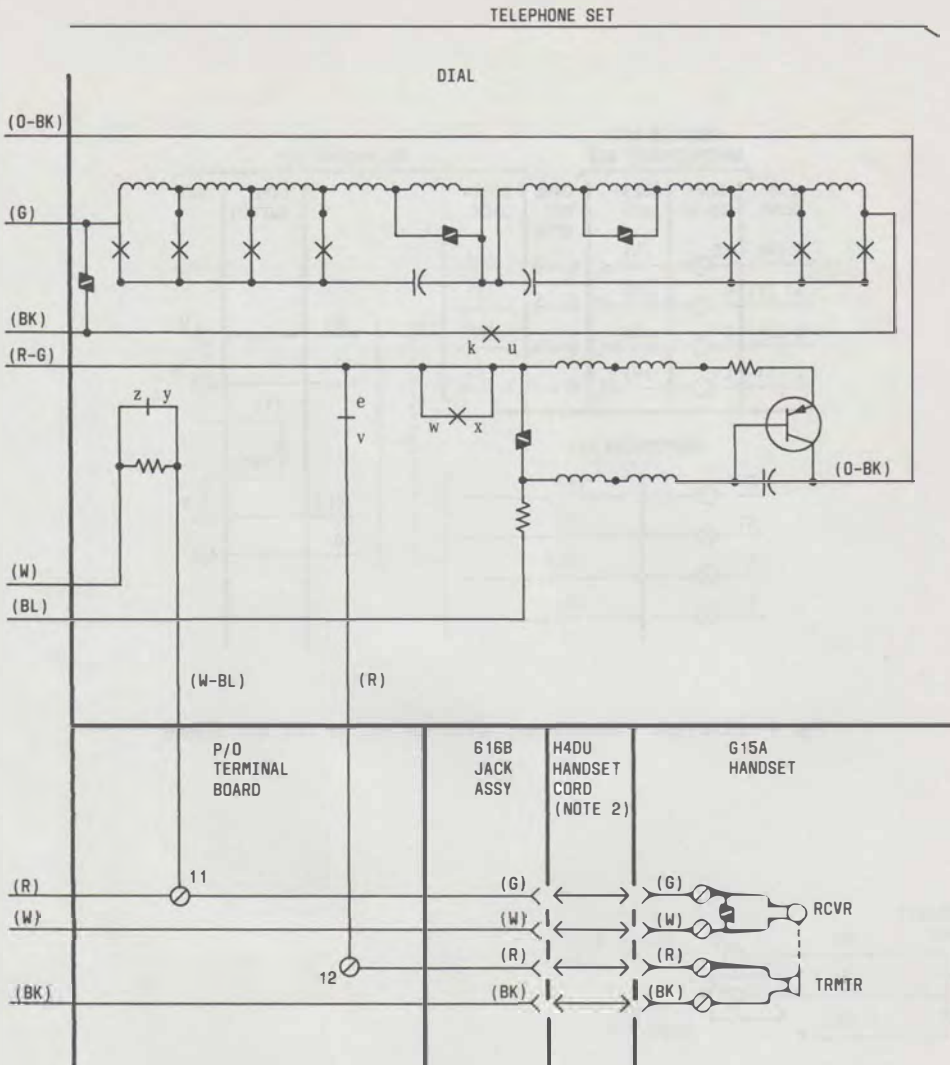


Fig. 3—2526BM Telephone Set, Connections (Manufactured after 2/77 Using a D-180849 Kit of Parts) (Sheet 2 of 2)

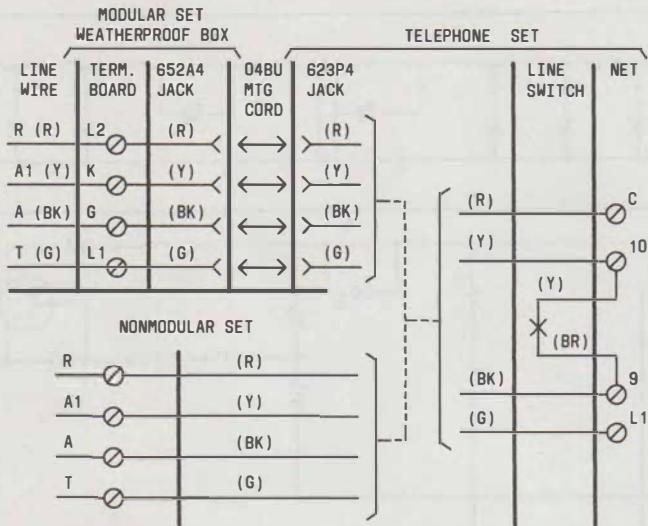
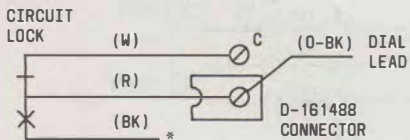


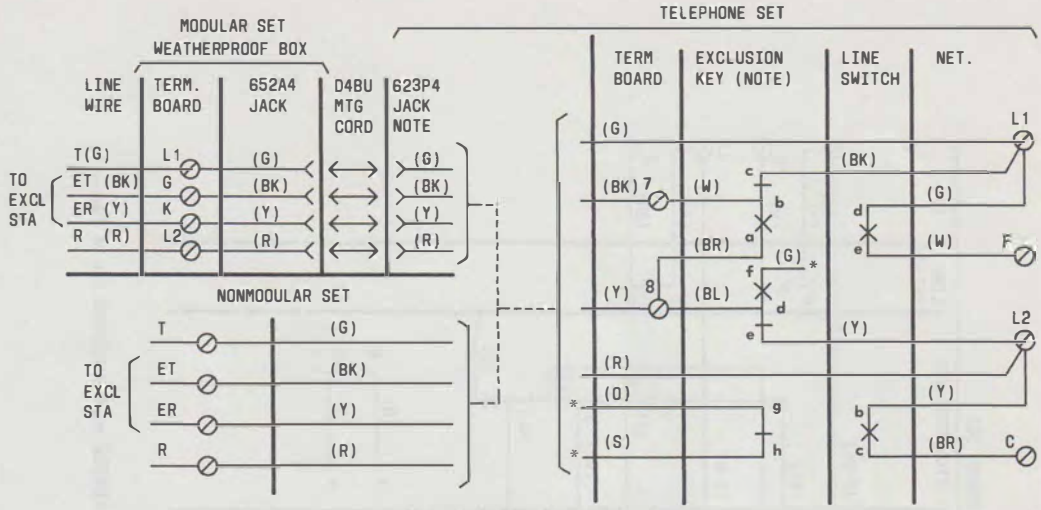
Fig. 4—2526-Type Telephone Set, Wired For 1A1 or 1A2 Key System



NOTE:
CIRCUIT LOCK DISABLES DIAL AND RESTRICTS TELEPHONE SET TO INCOMING CALLS.

* INSULATE AND STORE

Fig. 5—2526-Type Telephone Set, Electric Circuit Lock (Using D-180385 Kit of Parts)



NOTE: D-180383 KIT OF PARTS

* - INSULATE AND STORE

A. EXCLUSION FEATURE

Fig. 6—2526-Type Telephone Set, Wired For Exclusion (using a D-180849, D-180383 Kit of Parts)

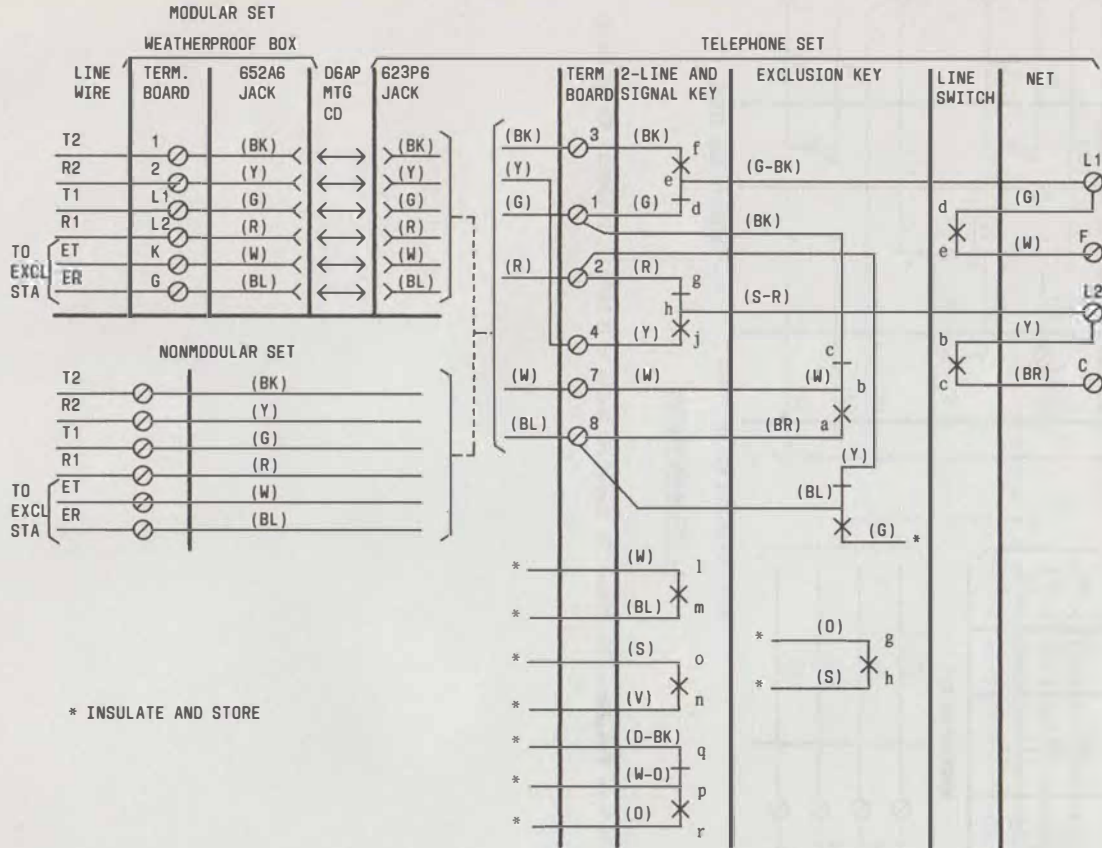
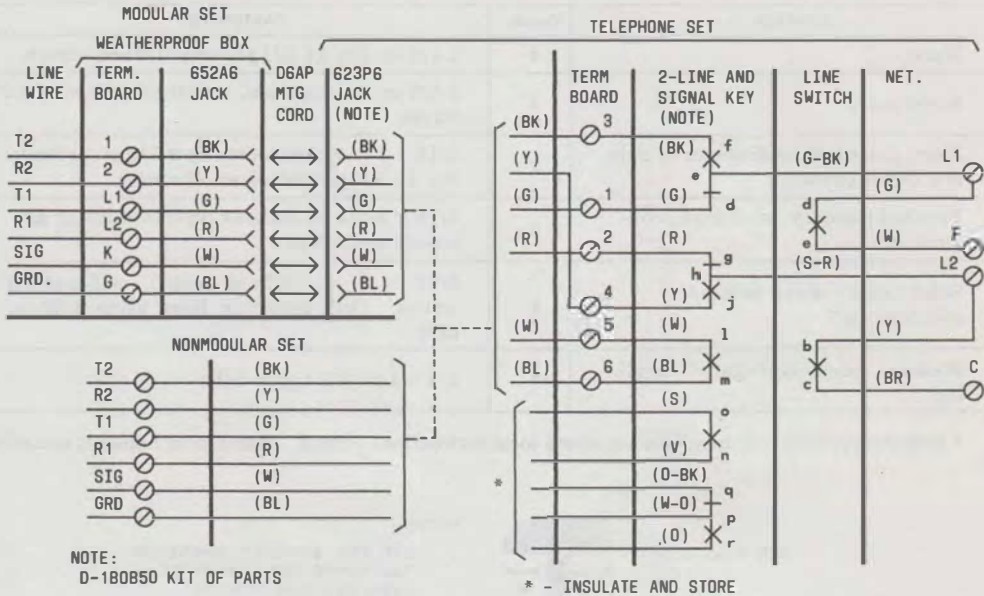


Fig. 7—2526-Type Telephone Set, 2-Line Pickup and Exclusion (using a D-180383 and D-180850 Kit of Parts)



B. 2-LINE PICKUP AND SIGNAL KEY

Fig. 8—2526-Type Telephone Set, 2-Line Pickup and Signal (using a D-180850 Kit of Parts)

♦TABLE 1♦
FASTENERS FOR 29D BRACKET

SURFACE	QUAN	FASTENERS
Wood	4	1-1/2 in. No. 14 RH galvanized wood screws
Wood poles	4	2-1/2 in. or longer No. 14 RH galvanized wood screws
Wood poles (where diameter of pole is 8 inches or less)	2	5/16 x 3 in. coach screws or 2-1/2 in. or longer No. 14 RH galvanized wood screws
Finished masonry, brickwork, concrete, etc	4	5/16 x 2-1/4 in. hammer drive anchors, or approved equivalent
Solid metal — metal fences, columns, etc*	4	5/16 x 1 in. cadium plated, self-tapping screws. Drill mounting holes using 9/32 in. drill
Masonry block corrugated metal, etc.	4	1/4 x 4 in. RH toggle bolts

* Iron straps, bolts, etc may be used where local instructions permit. Attach telephone set securely.

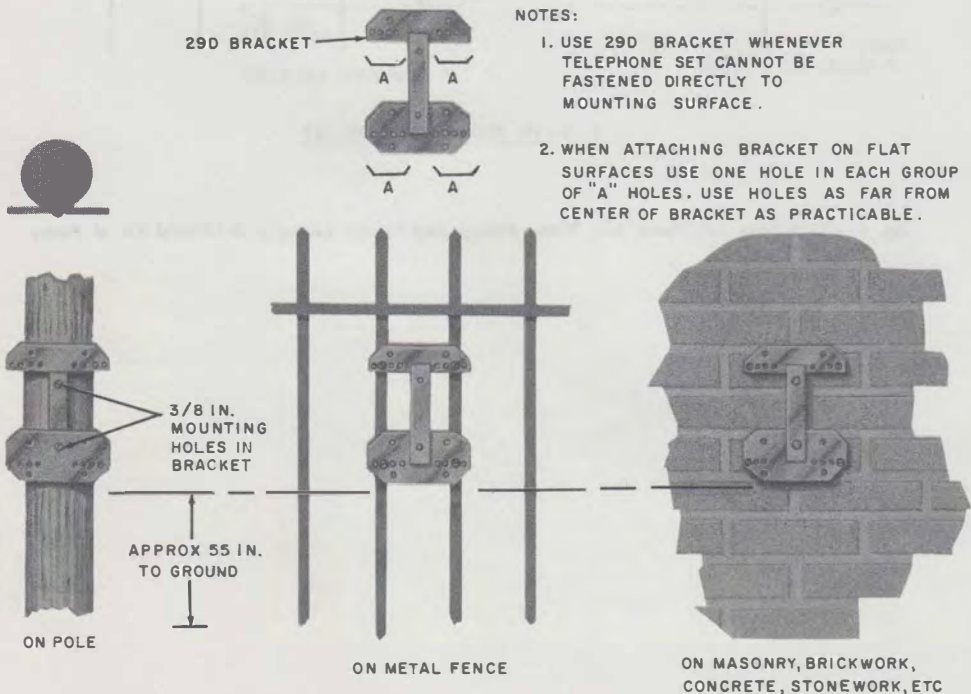


Fig. 9—29D Bracket Mounted on Various Surfaces