

SERVICE

630A, B, C, D AND 631A, B, C, D TELEPHONE SETS

1. GENERAL

1.01 This section contains connection and maintenance information for 18- and 30-button, rotary dial, general purpose CALL DIRECTOR® telephone sets.

1.02 This section is reissued to:

- Add connections for speakerphone with external transmitter (even-count color-coded cords)
- Add reference to Division 512 for speakerphone modification procedures
- Change title of section from 630- and 631-type telephone sets
- Show all codes of these telephone sets are now MD
- Remove common maintenance information which is now covered in Section 502-600-100.

2. CONNECTIONS

2.01 These sets are factory-wired for use with 1A1, 1A2, or 6A key telephone systems. They may also be used with 1A KTS line circuits by modifying the telephone set as shown in Table A. Line circuits for 1A, 1A1, or 1A2 KTS may be connected to the same set under the following conditions:

- (a) 1A1 or 1A2 KTS lines must be connected to the first key module with 1A lines connected to supplementary key modules.
- (b) 1A, 1A1, or 1A2 KTS lines should not be connected to the same 6 line key module.
- (c) 1A, 1A1, and 1A2 KTS lines appearing behind a manual switchboard should not be intermixed on a CALL DIRECTOR telephone set due to the different time out intervals provided by the associated KTU's.

2.02 Tip, ring, A, and lamp leads of lines wired for supplementary hold feature must be routed per SD-69530-01 and Division 518 rather than directly to the line circuit. Supplementary hold can be furnished in either of the following arrangements.

- (a) **I Hold:** Transfer **A** lead from ground to -24 volt (Fig. 7); connect stored (BR-V) [S-Y] lead from first module plug to any spare mounting cord lead using spare terminal or D-161488 connector. Mounting cord lead becomes SP lead at key equipment (Fig. 7).
- (b) **Priority Hold:** Substitute the 599- or 657-type key in the first module with a 599H or 657H key which is equipped with a second hold button and wired per Fig. 8 to transfer the **A** lead from ground to -24 volt.

2.03 To convert a key position from pickup (locking) to signal (nonlocking) remove the screw detail P-10E837 entirely from plunger at the key position to be converted. Make the necessary wiring changes as shown in Table B.

2.04 At the key telephone system, connector cable lead termination for sets equipped with even-count color-coded cords differ from those for sets equipped with MD color-coded cords (Fig. 3 and 4). If MD sets are replaced by current production sets, it will be necessary to rearrange the connector cable leads at the key telephone system.



Some spade-tipped conductors or mounting cord leads are insulated with tubing which should be cut off with electrician scissors or diagonal pliers. Other conductors are insulated with stiff plastic pockets. Pinch open the pocket to release the spade tips.

3-Type Speakerphone

2.05 A 661A (MD) or 667-type speakerphone transmitter unit may be used in the third

key position of an 18-button set or fifth key position of a 30-button set when internal speakerphone feature is required.

2.06 To retain the maximum number of keys in these CALL DIRECTOR telephone sets and still have speakerphone feature, a 666A(MD) or 666B transmitter and 760A loudspeaker may be installed as adjuncts to the telephone set. Spare leads from the first module are used to supply the external speakerphone function (Table D). Refer to Sections 512-620-440 (630-type MD) and 512-620-441 (631-type MD) for complete connections to 3-type speakerphone.

2.07 Replace the 8R dial with an 8C dial when a telephone set is modified for use with 3-type speakerphone system.

2.08 Maintenance of handset, dials, ringers, and modular keys is outlined in sections covering these components located in Division 501.

2.09 Refer to Section 502-600-100 for common installation and maintenance information for these CALL DIRECTOR telephone sets.

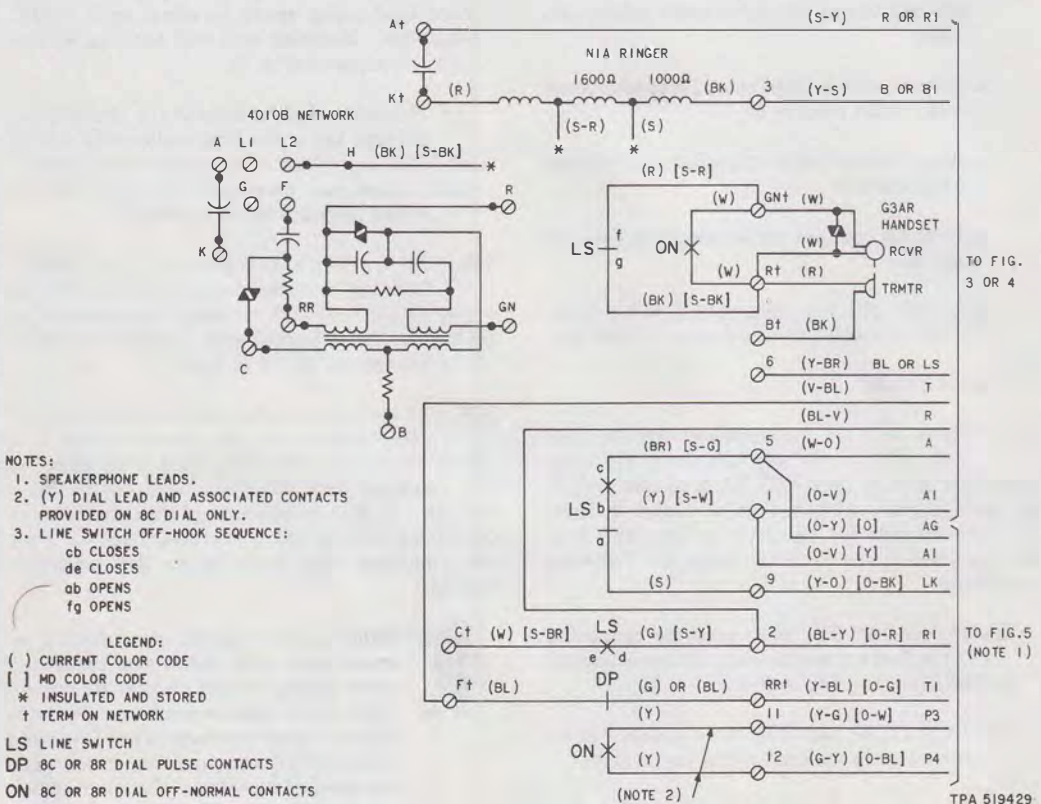
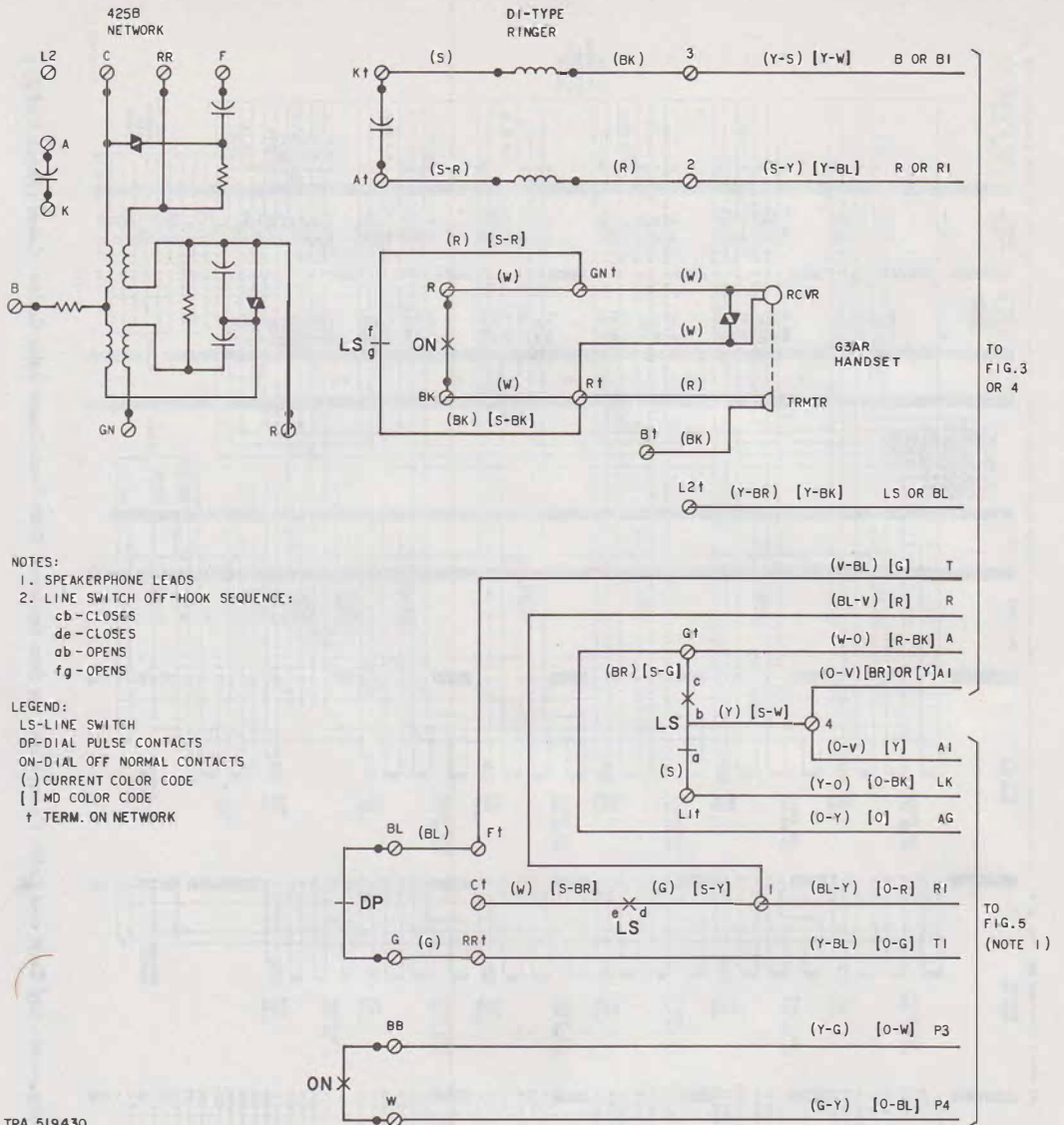
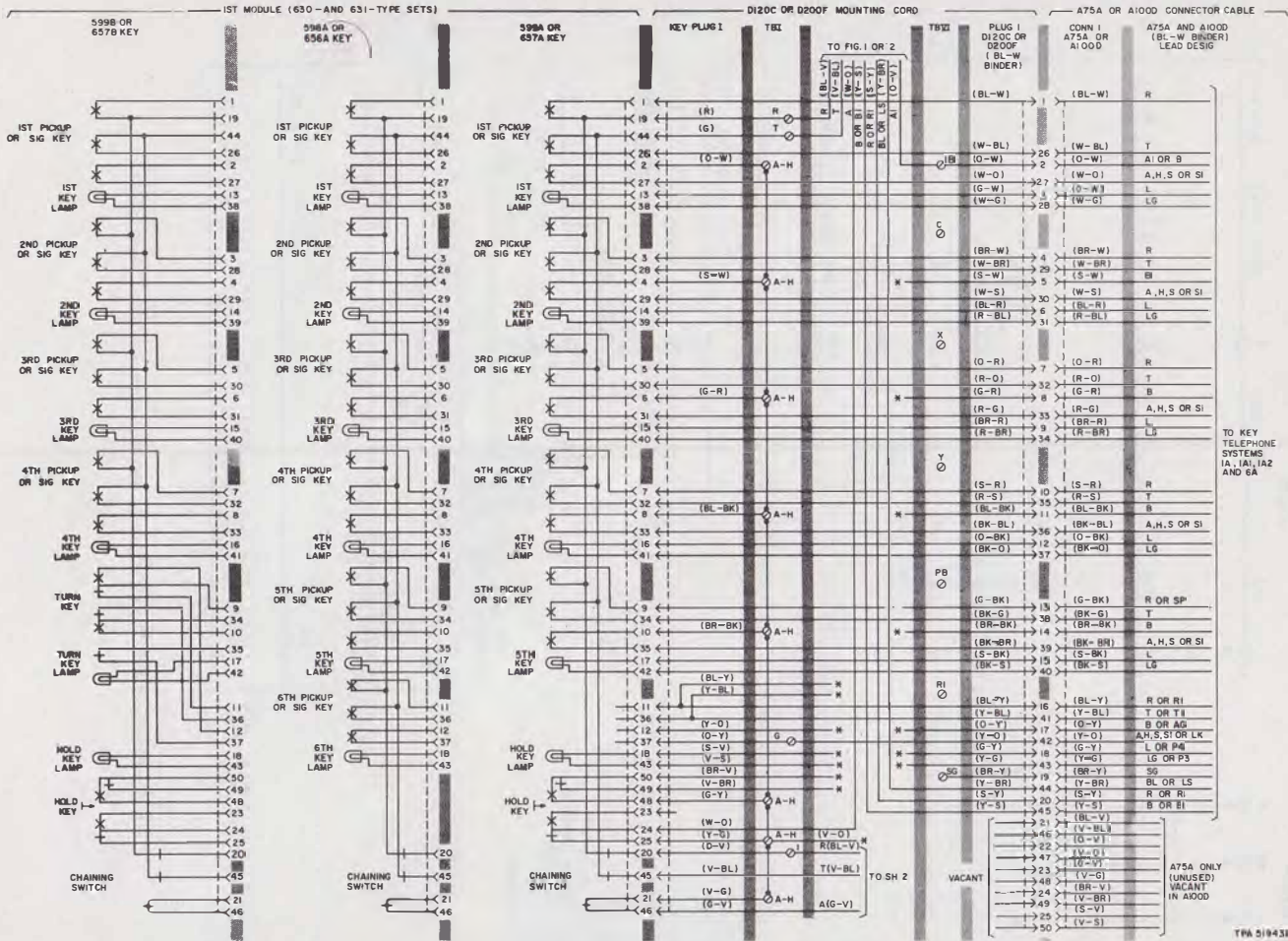


Fig. 1—630- and 631-Type Telephone Set, Connections (Current Production)



TPA 519430

Fig. 2—630- and 631-Type Telephone Set, Connections (Early Production)

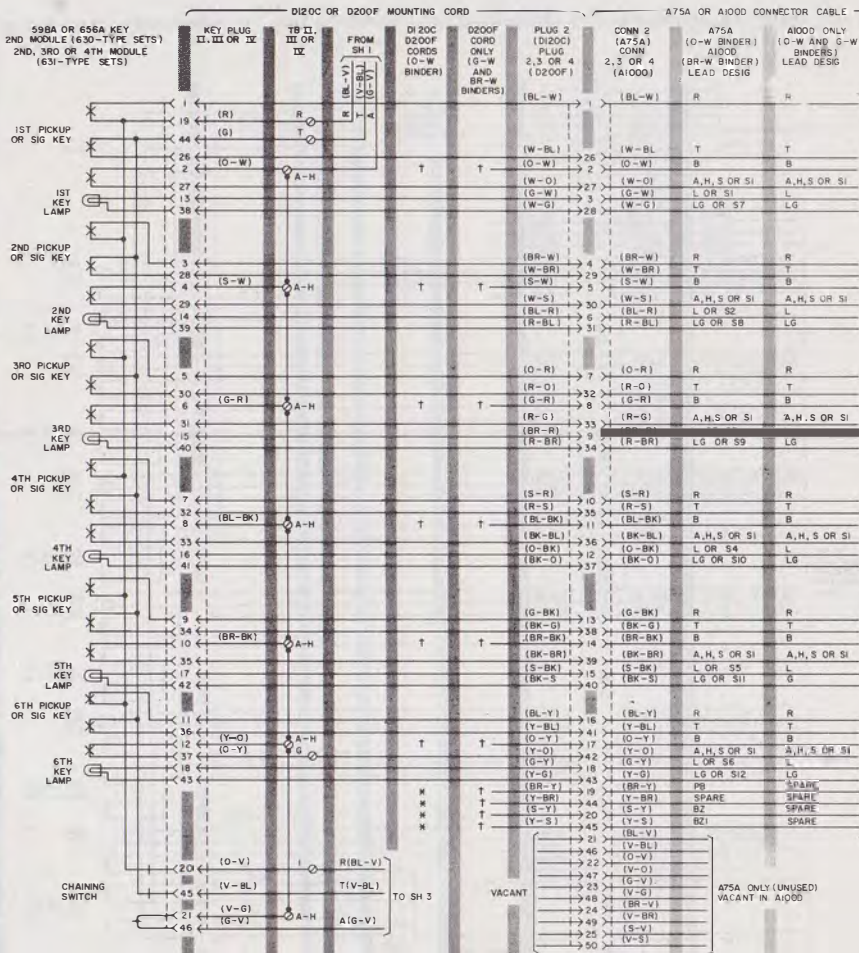
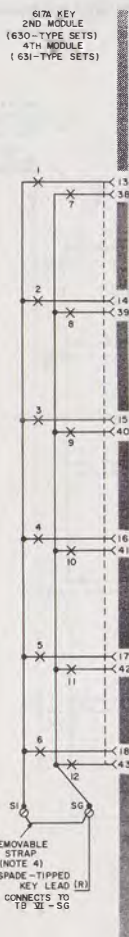


◆ Fig. 3—Module Arrangements and Cord and Cable Connections for Sets Equipped With Even-Count Color-Coded Cords (Sheet 1 of 3) ◆

TPA 519431

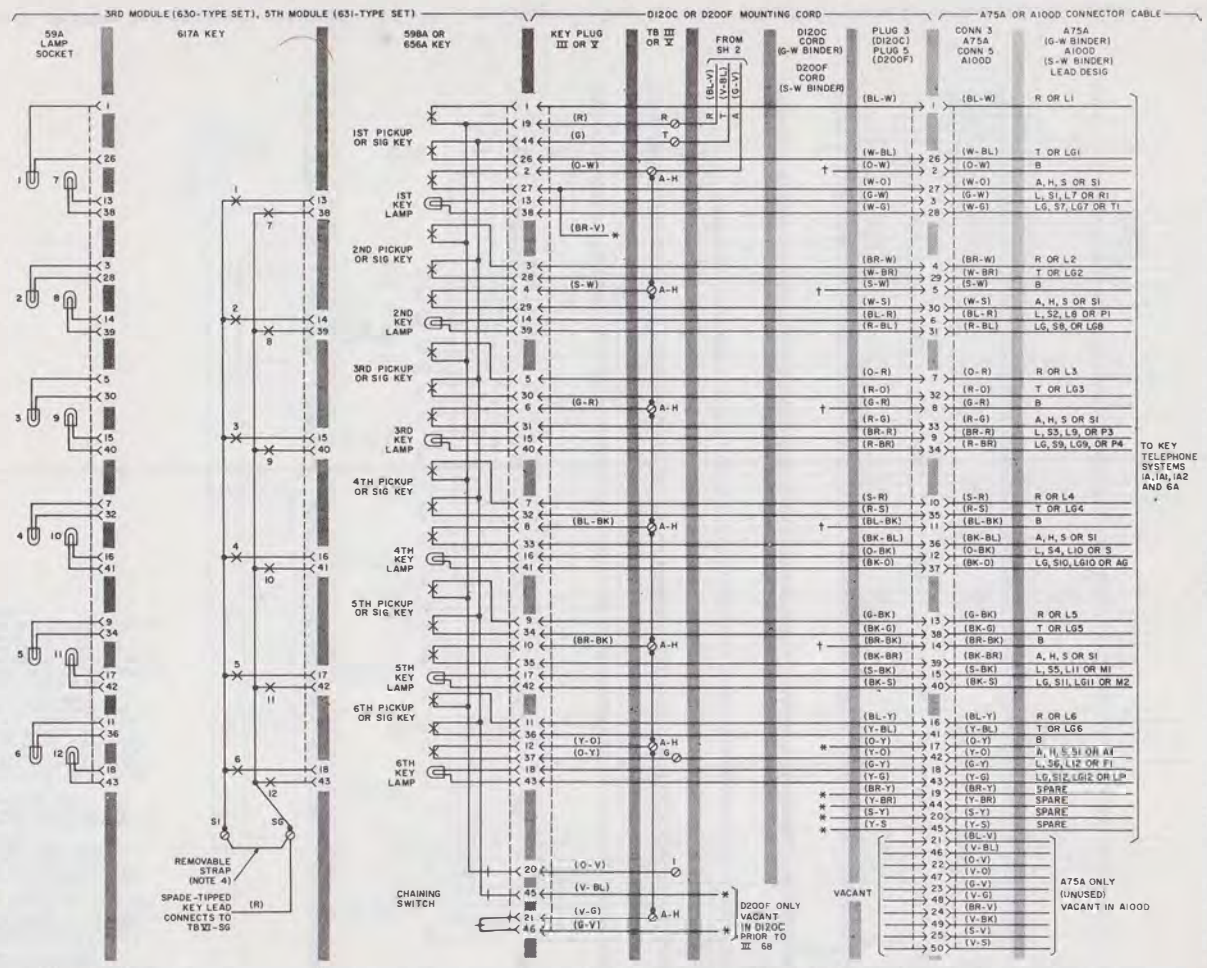
NOTES:

- WITH 598A OR 657A KEY IN FIRST MODULE, SPADE TIPPED LEADS FROM KEY PLUG I AND MOUNTING CORD BINDER GROUP (BL-W) ARE INSULATED AND STORED AS SHOWN.
- WITH 598B OR 657B KEY IN FIRST MODULE, (BR-BK) LEAD MUST BE REMOVED FROM A-H OF TB1, INSULATED AND STORED.
- WITH 598A OR 656A KEY IN FIRST MODULE, CONNECT (Y-O) STRAP FROM A-H OF TB1 TO TERMINAL 5 ON TELEPHONE SET TERMINAL BOARD. CONNECT (Y-O) AND (BR-BK) LEADS FROM KEY PLUG I TO A-H OF TB1. TO EXTEND LAMP LEADS CONNECT (S-Y) AND (V-S) KEY PLUG LEADS TO (G-Y) AND (Y-G) MOUNTING CORDS LEADS RESPECTIVELY USING SPARE TERMINALS OR D-16488 CONNECTORS.
- FOR USE WITH IA KEY SYSTEM ONLY, MOVE A1 (O-V) STRAP FROM 18 TO 5G ON TBXI AND MAKE CONVERSION SHOWN IN TABLE A.
- FOR ADD-ON CONFERENCE CONTROL IN THE 6A KEY TELEPHONE SYSTEM, CONNECT (BR-Y) MOUNTING CORD LEAD (O-W BINDER GROUP) TO TBXII-PB. ALSO REMOVE COMMON LEAD OF ADD-ON CONFERENCE BUTTON (CONVERTED TO SIGNALING) FROM A-H TERMINAL AND CONNECT TO P1L THE 67A KEY MAY ALSO BE USED IN A SIMILAR MANNER. ALSO SEE NOTE 4.
- WHEN THE 67A KEY IS REQUIRED AS A DUAL-PURPOSE KEY, THE BRASS STRAP BETWEEN THE 51 AND 56 TERMINALS OF THE KEY MAY BE REMOVED. USE NEW CORD OR EQUIVALENT TO CONNECT 51 TERMINAL OF 67A KEY TO A DESIGNIAR GROUND OR A NONGROUNDED CIRCUIT.
- INSULATED AND STORED
- DEAD ENDED



TO KEY TELEPHONE SYSTEMS IA, IAI, IA2 AND 6A

Fig. 3—Module Arrangements and Cord and Cable Connections for Sets Equipped With Even-Count Color-Coded Cords (Sheet 2 of 3)



◆ Fig. 3—Module Arrangements and Cord and Cable Connections for Sets Equipped With Even-Count Color-Coded Cords (Sheet 3 of 3) ◆

TABLE A

**1A AND 1A1 SYSTEM CONVERSIONS
CONNECTIONS FOR SETS USING D120B(MD), D120C, D200B(MD), OR D200F MOUNTING CORDS**

KEY TELEPHONE SYSTEM CENTRAL OFFICE OR PBX LINE FEATURE	LEADS													
	HOLD KEY					CHAINING SWITCH					STRAP	LINE SWITCH		
						630 AND 631 SETS			631 SETS ONLY					
	(Y-G) [BK-BL]	(G-Y) [BK-W]	(V-O) [S-W]	(BR-V) [S-Y]	(V-BR) [S-BK]	(V-G) [BL-W] 1ST KEY	(V-G) [BL-W] 2ND KEY	(V-G) [BL-W] 3RD KEY	(V-G) [BL-W] 4TH KEY	(V-G) [BL-W] 5TH KEY	(BL-V) [R]	(O-V) [V]	(BR) [S-G]	
1A1 or 1A2 only (as furnished by shop)	A-H (I)	A-H (I)	*	*	*	A-H (I)	A-H (II)	A-H (III)	A-H (IV)	A-H (V)	R (I)	1B (VI)	†	
First key unit 1A1 or 1A2 remaining key units 1A	A-H (I)	§	*	1‡ (I)	R (II)	§	A-H (II)	A-H (III)	A-H (IV)	A-H (V)	R (I)	1B (VI)	†	
First and second key units 1A1 or 1A2; remaining key units 1A	A-H (I)	§	*	1‡ (II)	R (III)	A-H (I)	§	A-H (III)	A-H (IV)	A-H (V)	R (I)	1B (VI)	†	
First, second, and third key units 1A1 or 1A2; remaining key units 1A	631 sets only	A-H (I)	§	*	1‡ (III)	R (IV)	A-H (I)	A-H (II)	§	A-H (IV)	A-H (V)	R (I)	1B (VI)	†
First through fourth key units 1A1 or 1A2; fifth key unit 1A		A-H (I)	§	*	1‡ (IV)	R (V)	A-H (I)	A-H (II)	A-H (III)	X (VI)	A-H (V)	R (I)	1B (VI)	†
1A only (see connection note 2 in Fig. 3)	§	A-H (I)	*	R1 (VI)	R (I)	A-H (I)	A-H (II)	A-H (III)	A-H (IV)	A-H (V)	R1 (VI)	SG (VI)	6 (VII)	

Note: Roman numerals in parentheses indicate terminal board designations.

* Lead is spade tipped, insulated, and stored.

† BR lead connects to terminal 5 of telephone set terminal board when station busy lamp circuit is not required or to terminal 6 when station busy lamp is required.

‡ Disconnect, insulate, and store R (BL-V) chaining lead.

§ Connect to terminal X of TBIV on 18-button sets or to terminal X of TBVI on 30-button sets.

() Current color code

[] MD color code

Notes for Fig. 4

- WITH 599A OR 657A KEY IN FIRST MODULE; SPADE TIPPED LEADS FROM KEY PLUG I AND MOUNTING CORD BINDER GROUP (W) ARE INSULATED AND STORED AS SHOWN.
WITH 599B OR 657B KEY IN FIRST MODULE; [G-BL] LEAD MUST BE REMOVED FROM A-H OF TBI, INSULATED AND STORED.
WITH 598A OR 656A KEY IN FIRST MODULE; CONNECT [S-W] STRAP FROM A-H OF TBI TO TERMINAL G OF NETWORK. CONNECT [S-BR] AND [G-BL] LEADS FROM KEY PLUG I TO A-H OF TBI. TO EXTEND LAMP LEADS CONNECT [BR-Y] AND [BR-BK] KEY PLUG LEADS TO [O-BL] AND [O-W] MOUNTING CORD LEADS RESPECTIVELY USING SPARE TERMINALS OR D-161486 CONNECTORS.
- FOR USE WITH 1A KEY SYSTEM ONLY, MOVE A1[BR] STRAP FROM 1B TO SG ON TBIY (630) OR VI (631). MAKE CONVERSION SHOWN IN TABLE A.
- FOR ADD-ON CONFERENCE CONTROL IN THE 6A KEY TELEPHONE SYSTEM, CONNECT [G-W] MOUNTING CORD LEAD ([R] BINDER GROUP) TO TERMINAL PB ON TBIY OR VI. ALSO REMOVE COMMON LEAD OF ADD-ON CONFERENCE BUTTON (CONVERTED TO SIGNALING) FROM A-H TERMINAL AND CONNECT TO PB. THE 617A KEY MAY ALSO BE USED IN A SIMILAR MANNER. ALSO SEE NOTE 5.
- WHEN THE 617A KEY IS REQUIRED AS A DUAL-PURPOSE KEY, THE BRASS STRAP BETWEEN THE S1 AND SG TERMINALS OF THE KEY MAY BE REMOVED. USE MIW CORD OR EQUIVALENT TO CONNECT S1 TERMINAL OF 617A KEY TO DISSIMILAR GROUND OR A NONGROUNDED CIRCUIT.
- TERMINAL DESIGNATIONS ON TBI THRU TB VI ARE SHOWN FOR D120B AND D200B CORDS. TERMINAL DESIGNATIONS FOR D120A AND D200A DIFFER AS SHOWN BELOW.

TERMINAL BOARD	D200B	D200A
TBI	G	H1
	AH	A1
TBI I	G	H2
	AH	A2
TBI II	G	H3
	AH	A3
TBI Y	G	H4
	AH	A4
TBI V	G	H5
	AH	A5
TBI VI	C	C1, C2, C3, C4
	X	—
	PB	—
	—	G1, G2, G3, G4
	—	S2, S3, S4, S5

TERMINAL BOARD	D120B	D120A
TBI	G	H1
	AH	A1
TBI I	G	H2
	AH	A2
TBI II	G	H3
	AH	A3
TBI Y	C	C1, C2
	X	—
	PB	—
	—	G1, G2
	—	S2, S3

* INSULATED AND STORED.

† DEAD ENDED.

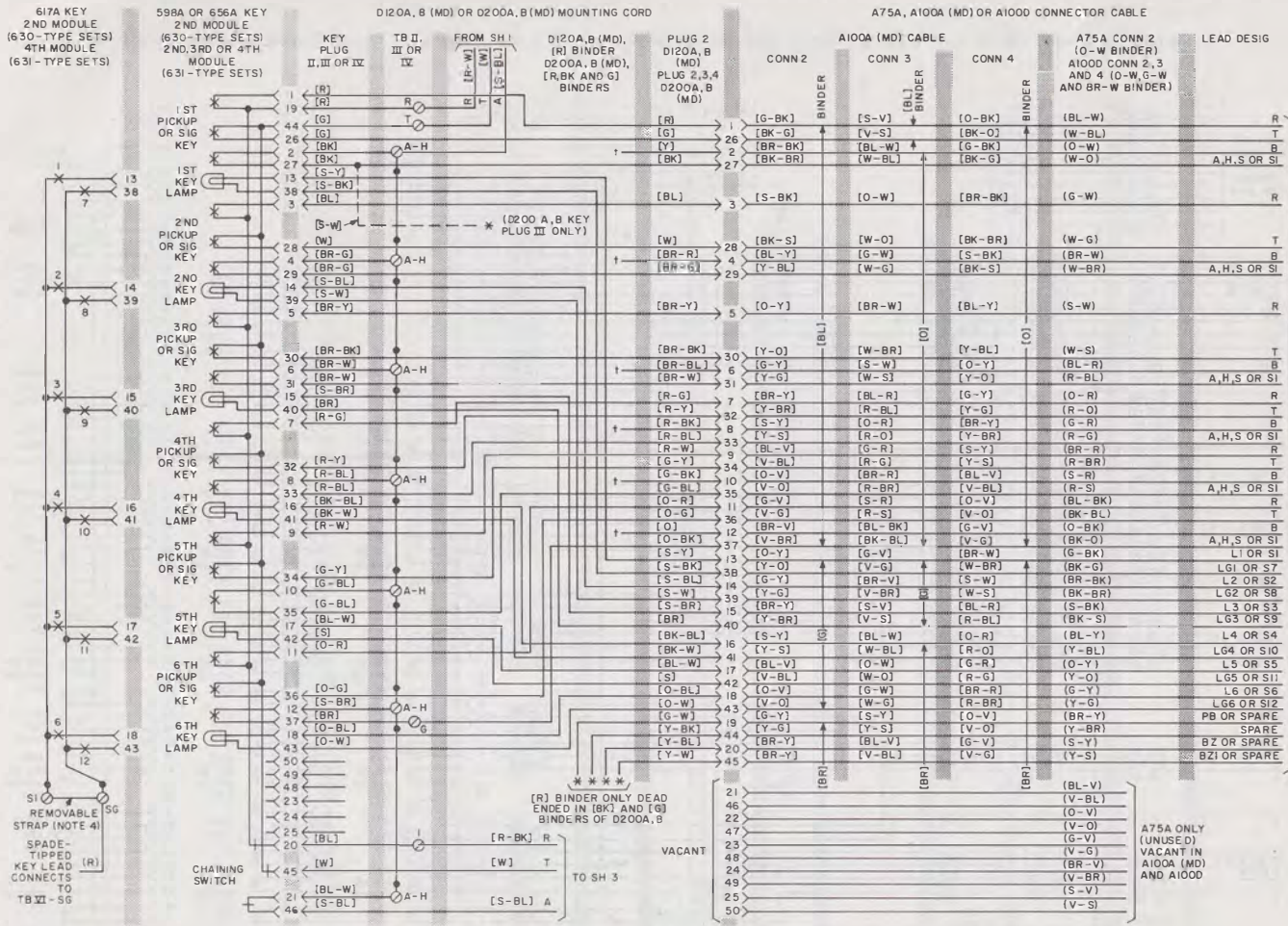
‡ 1A AND 1A1 SPEAKERPHONE SYSTEM.

§ 3-TYPE SPEAKERPHONE SYSTEM.

() CURRENT COLOR CODE.

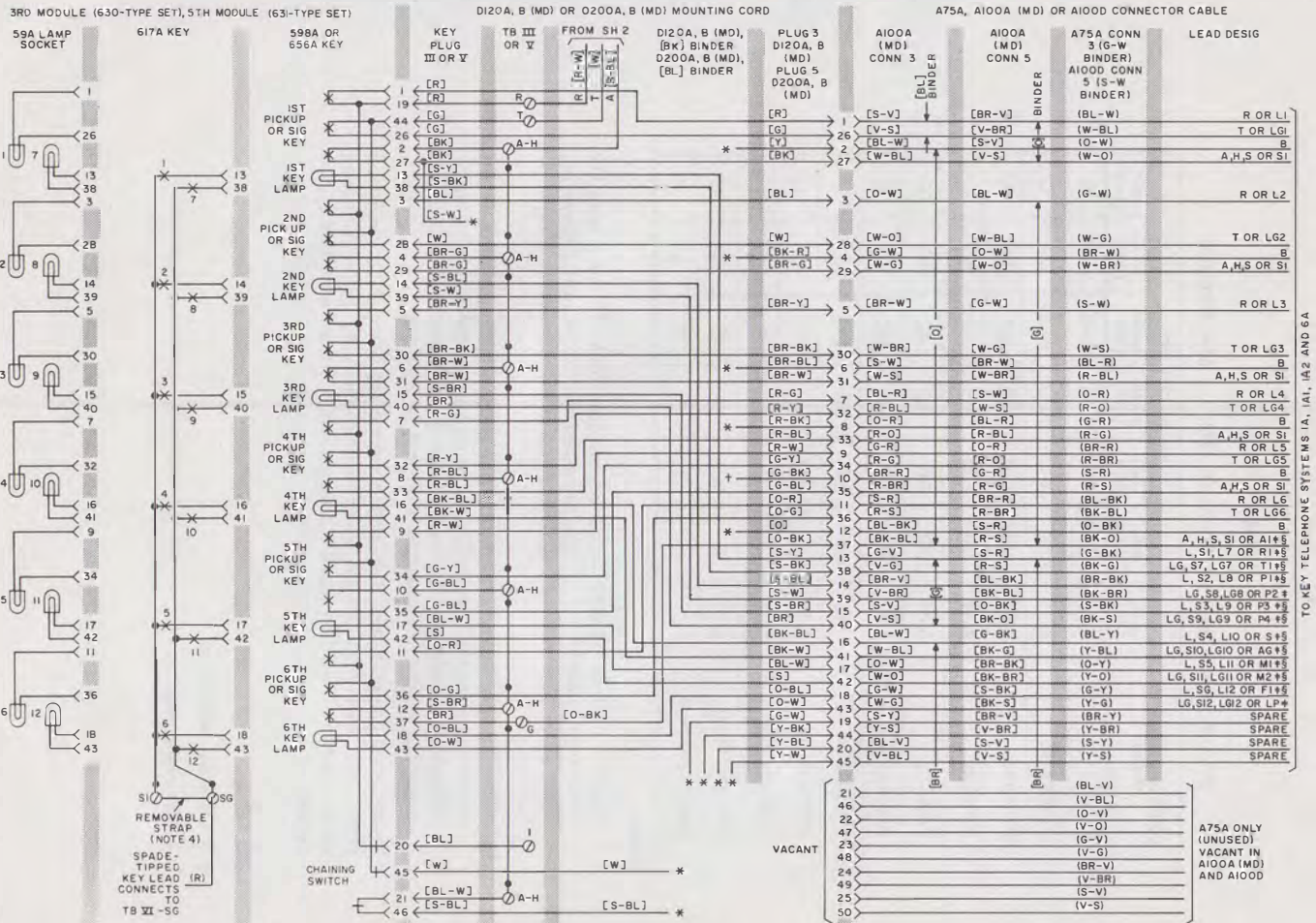
[] MD COLOR CODE.

TPA 519432



TO KEY TELEPHONE SYSTEMS 1A, 1A1, 1A2 AND 6A

◆ Fig. 4—Module Arrangements and Cord and Cable Connections for Sets Equipped With MD Cords (Sheet 2 of 3) ◆



TO KEY TELEPHONE SYSTEMS IA, IAL, IA2 AND 6A

◆ Fig. 4—Module Arrangements and Cord and Cable Connections for Sets Equipped With MD Cords (Sheet 3 of 3) ◆

♦ TABLE B ♦

PICKUP-SIGNAL KEY CONVERSION (3RD OR 5TH MODULE)

CONVERSION OPTIONS (NOTES)	598A OR 656A KEY						
	(O-W) [BK]	(S-W) [BR-G]	(G-R) [BR-W]	(BL-BK) [R-BL]	(BR-BK) [G-BL]	(Y-O) [S-BR]	(O-Y) [O-BK]
PPPPPP	A-H	A-H	A-H	A-H	A-H	A-H	G
PPPPPS	A-H	A-H	A-H	A-H	A-H	SG	G
PPPPSS	A-H	A-H	A-H	A-H	SG	SG	G
PPSSSS	A-H	A-H	A-H	SG	SG	SG	G
PPSSSS	A-H	A-H	SG	SG	SG	SG	G
PSSSSS	A-H	SG	SG	SG	SG	SG	G
SSSSSS	SG	SG	SG	SG	SG	SG	G
PPPP*P*S	A-H	A-H	A-H	C	C	5	C
PPP*P*P*S	A-H	A-H	C	C	C	5	C
PP*P*P*P*S	A-H	C	C	C	C	5	C
P*P*P*P*P*S	C	C	C	C	C	5	C

Notes:

- Convert buttons on right hand key module first. If more than six (five with common signaling) are required use module preceding right hand position, repeat connection modifications as shown in table.
 - All key positions are arranged in the shop as pickup positions. To convert to signaling (nonlocking), remove the screw detail P-10E837 from the plunger at the key position to be converted. Make the necessary connection changes as shown in Table B.
- * These arrangements use line switch controlled ground for common signal key used with private or intercommunicating lines. Common signal should be used to operate a signal relay. Do not wire directly to a buzzer.

() Current color code.

[] MD color code.

◆ TABLE C ◆
CONNECTIONS FOR 599B KEY (TURN KEY)

FEATURE	FIRST MODULE LEADS									
	5TH PICKUP KEY POSITION				6TH PICKUP KEY POSITION				STORED	
	R	T	A	A-H	R	T	A	A-H		
(MD) Color code	R-W	G-Y	G-BL	G-BL	O-R	O-G	O-BK	S-BR	O-R	O-G
Cord pin numbers	9-9	34-34	35-35	10-AH	11-11	36-36	37-G-37	12-†	11-†	36-†
Even-count color code	G-BK	BK-G	BK-BR	BR-BK	BL-Y	Y-BL	O-Y Y-O	Y-O	BL-Y	Y-BL
Cord pin numbers	9-13	34-38	35-39	10-AH	11-16	36-41	37-G G-42	12-†	11-†	36-†
Cutoff station on 1A1 or 1A2 system	To equip.			Insulate and Store	To ext sta			Insulate and Store		
Cutoff station on 1A system without hold feature	To equip.			Insulate and Store	To ext sta			Insulate and Store		
Cutoff station on 1A system with hold feature (Note 2)	To aux relay to cutoff T, R, B, & H			SG TBVI				SG TBVI	Insulate and store	
Cutoff ext ringer or buzzer	To equip.			Insulate and Store	To ext ringer or buzzer			Insulate and Store		
Cutoff ringer in set	To equip.			Insulate and Store				Insulate and Store	Ringer* TB	
									2 or A†	3
Cutoff buzzer in set	To equip.			Insulate and Store				Insulate and Store	Buzzer*	
									D	C
									A	C
								Cap.	C	
Monitoring	To mon equip.							R TB1	T TB1	

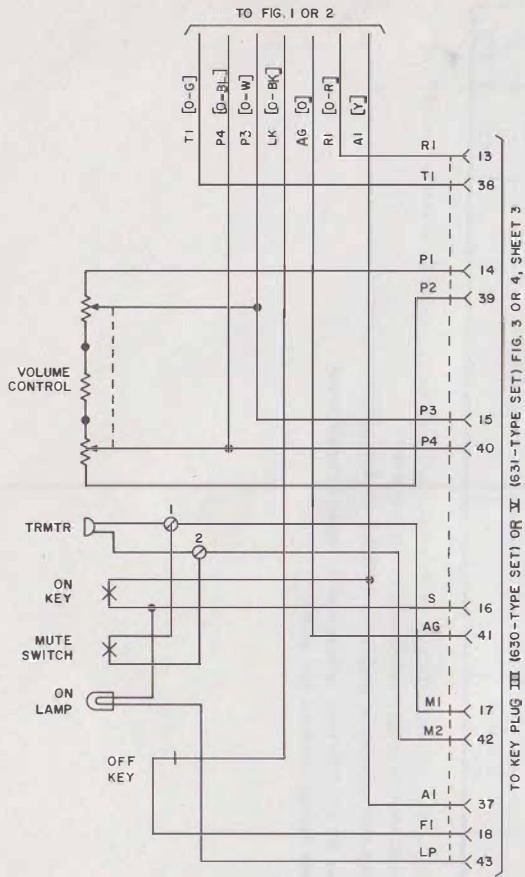
Notes 1: The [O-R] or (BL-Y), and [O-G] or (Y-BL) mounting cord leads should be insulated and stored at the equipment when the bridged spade-tipped leads are used in set.

2: Use auxiliary relay arrangement (such as 5A or 17B key telephone unit) to control circuit leads.

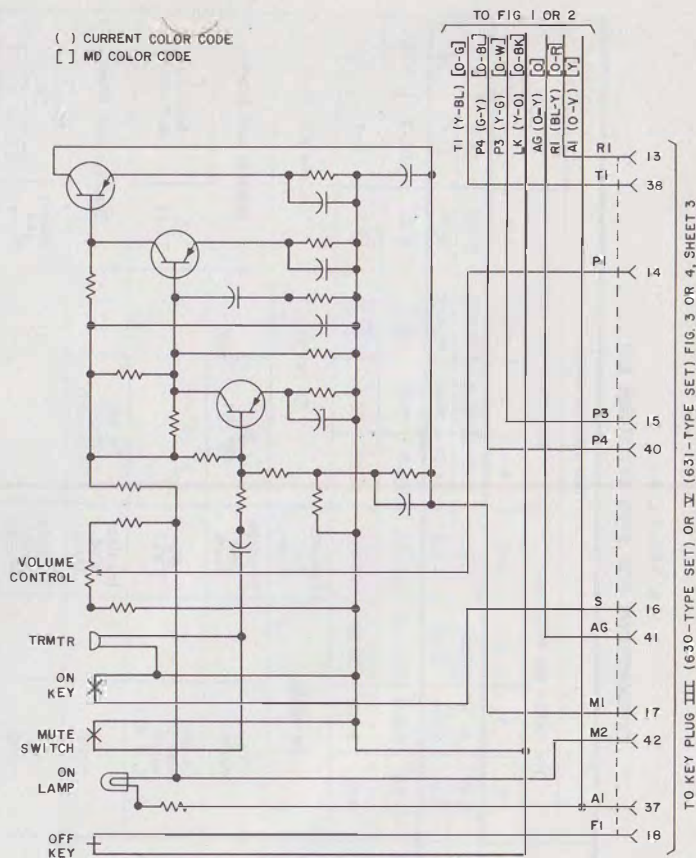
* Insulate and store BZ and BZ1 leads to buzzer or to ringer terminal board.

† Indicates leads are factory insulated and stored.

‡ Network terminal.



661A TRANSMITTER (MD)



667-TYPE TRANSMITTER

TPA 519433

Fig. 5—661A (MD) and 667-Type Transmitter

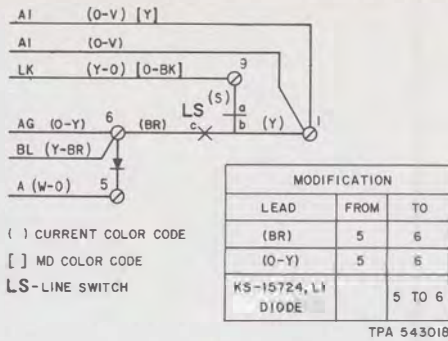


Fig. 6—Station Busy Lamp Circuit With Speakerphone (Current Telephone Sets Without I Hold)

TABLE D

CONNECTIONS FOR EXTERNAL SPEAKERPHONE FOR SETS WITH EVEN-COUNT MOUNTING CORDS

WIRE OR LEAD	COLOR	LEAD DESIG.	REMOVE FROM	CONNECT TO
Mtg. Cord (BL-W Binder)	BL-Y	R1	*	2
	Y-BL	T1	*	RR†
	O-Y	AG	*	5
	Y-O	LK	G	9
	G-Y	P4	*	12
	Y-G	P3	*	11

* Stored location.

† Network terminal.

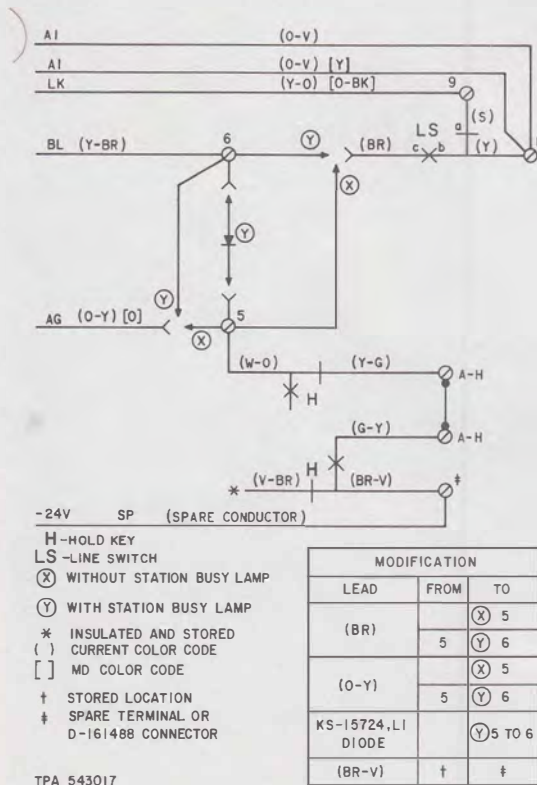
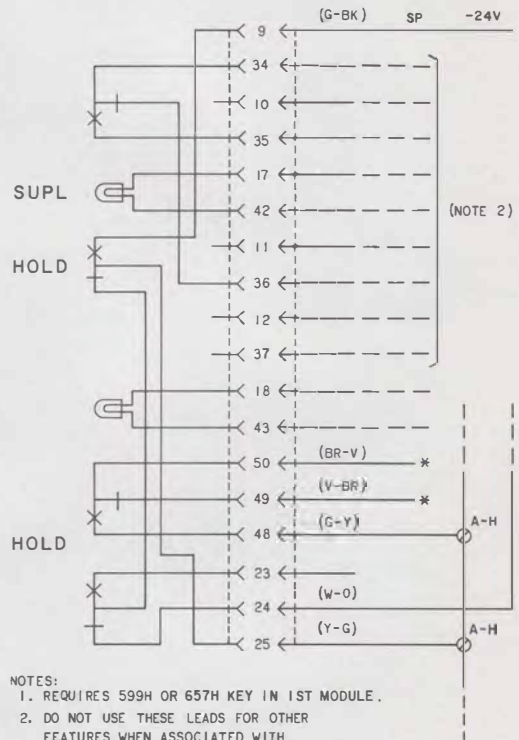


Fig. 7—I Hold Arrangement With Speakerphone (With or Without Station Busy Lamp Feature)



NOTES:

- REQUIRES 599H OR 657H KEY IN 1ST MODULE.
- DO NOT USE THESE LEADS FOR OTHER FEATURES WHEN ASSOCIATED WITH 599H OR 657H KEY.

* INSULATED AND STORED.

TPA 543042

Fig. 8—Circuit of 599H or 657H Keys Associated With Priority Hold