

## SERVICE

### 2713B AND 2713BM TELEPHONE SETS

### CONNECTIONS

**1. GENERAL**

1.01 This section contains information on the 2713B and 2713BM telephone sets.

1.02 Reissued to:

- Revise Fig. 2
- Add Fig. 3

♦ **Danger:** Securely attach 2A or similar retaining clamp to ac outlet using outlet cover screw before attempting to install 2012A or C transformer unit. A retaining clamp is not required on transformers with folded blade prongs. The transformer and any other cord plugged into the ac outlet should always be unplugged completely from outlet before attempting to attach or remove the clamp. Do not use 2A or similar retaining clamp on outlets where center mounting screw holds the duplex outlet in the box.♦

**Caution:** Do not connect more than one transformer to the same inside wiring pair.

**TABLE A**  
**POLARITY GUARD CONNECTIONS FOR 2713B AND 2713BM TELEPHONE SETS (D-180299 KIT OF PARTS)**

LEAD	COLOR	REMOVE FROM	CONNECT TO	
		NET.	NET.	TERM BLOCK*
Line Switch	BR	C		4
Dial	BK	RR		3
Polarity Guard	R			3
	BK			4
	G		RR	
	W		C	

\*Component of polarity guard assembly.

**Note:** For use when specified by local instructions for end-to-end signaling installation

**NOTICE**

Not for use or disclosure outside the  
Bell System except under written agreement

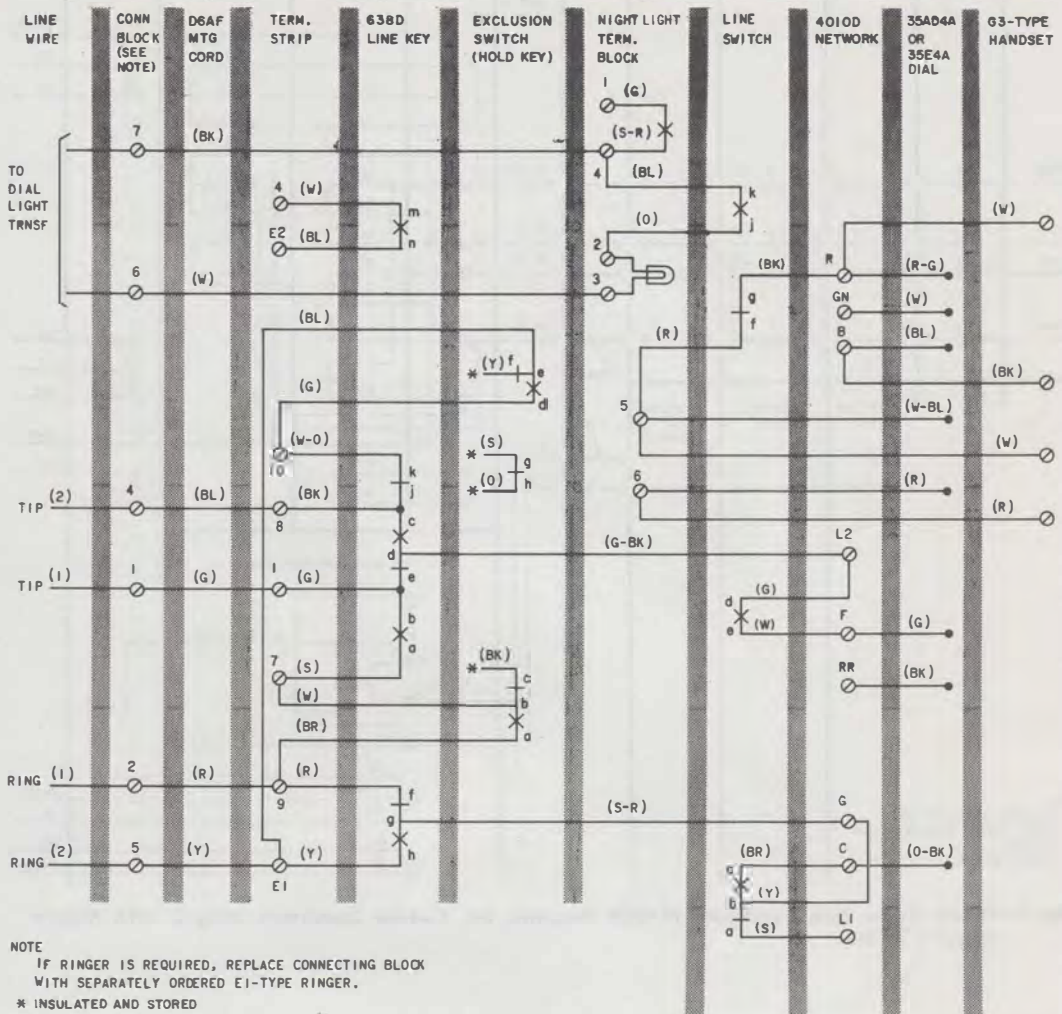


Fig. 1—2713B Telephone Set, Connections

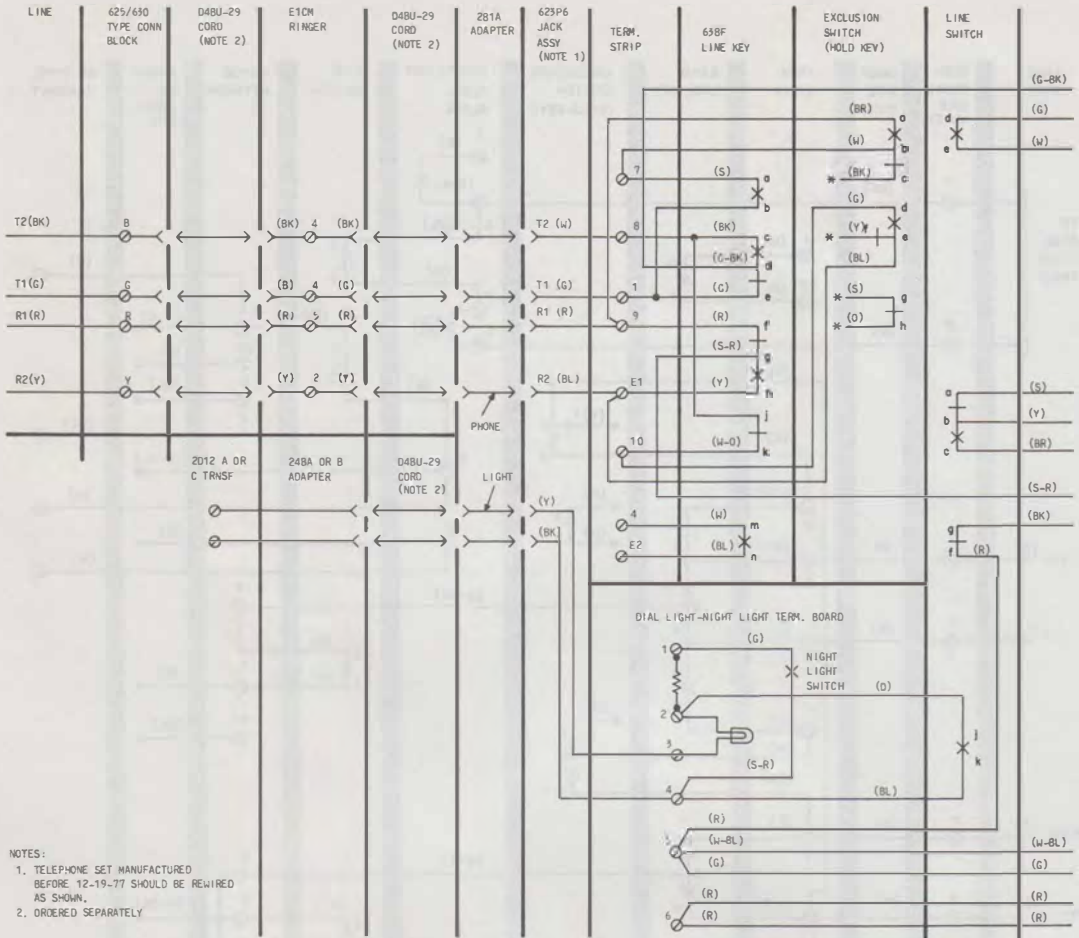


Fig. 2—Phone Center Type Installation, 2713BM Telephone Set, Modular Connections Using a 281A Adapter (Sheet 1 of 2)

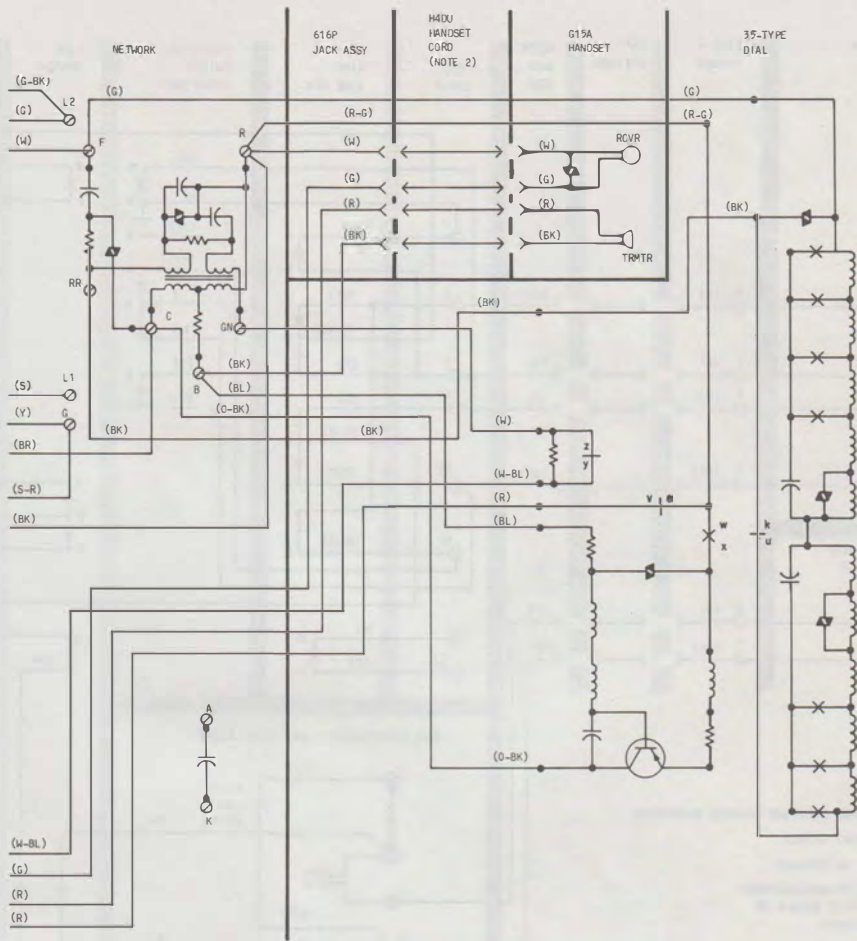


Fig. 2—Phone Center Type Installation 2713BM Telephone Set, Modular Connections Using a 281A Adapter (Sheet 2 of 2)



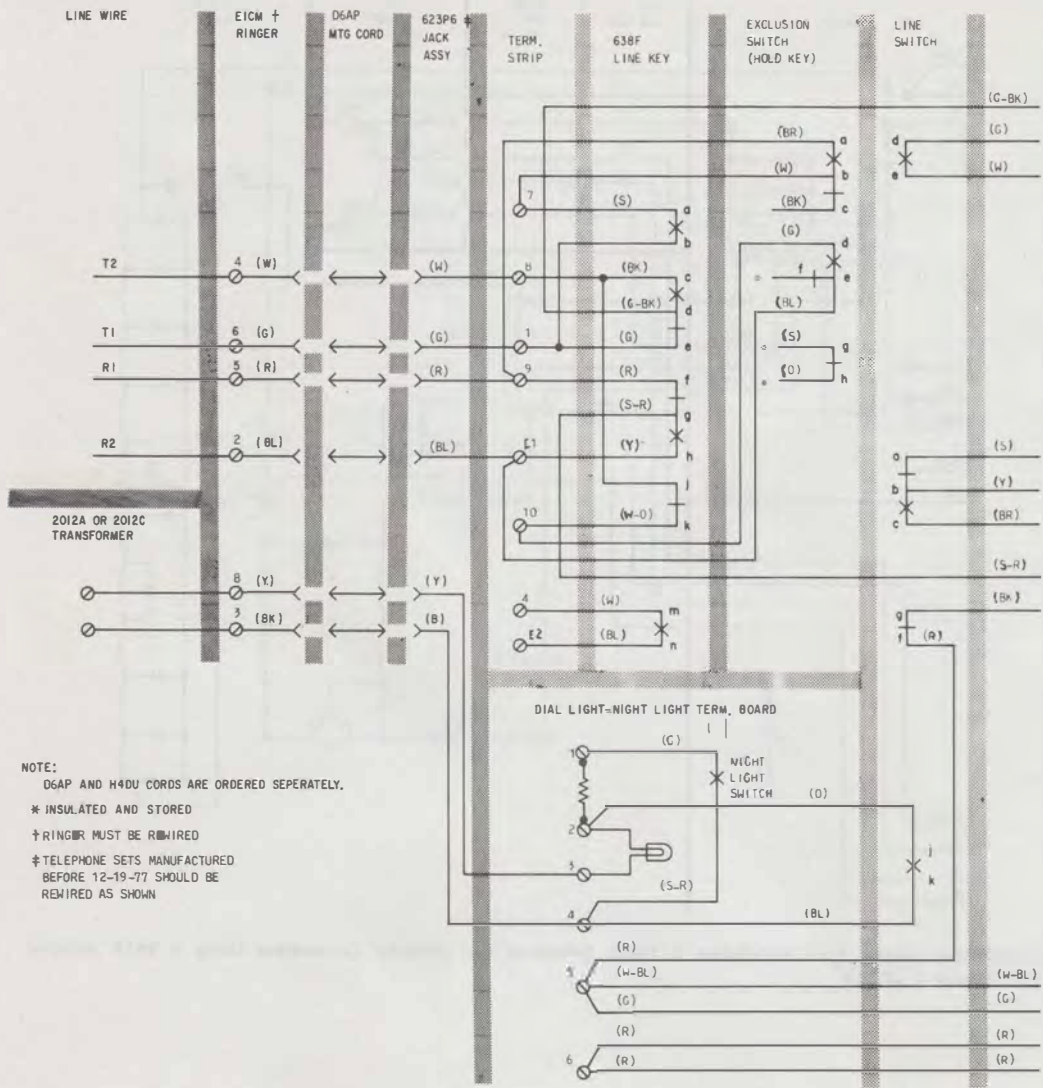


Fig. 3—2713BM Telephone Set, Modular Connections Using a E1CM Riner (Sheet 1 of 2)

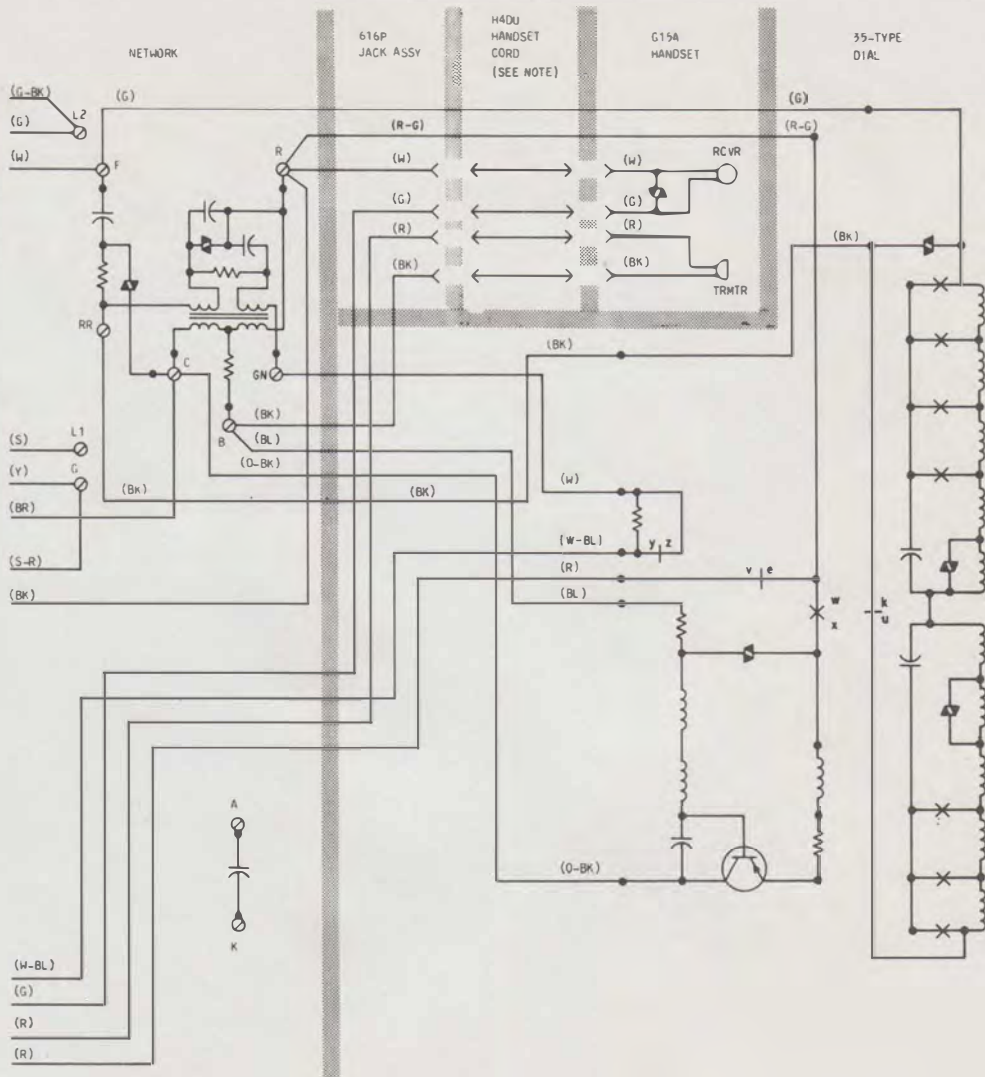


Fig. 3—2713BM Telephone Set, Modular Connections Using a E1CM Ringer (Sheet 2 of 2)