

SERVICE
1A KEY TELEPHONE SYSTEM
50-TYPE PACKAGED UNITS

1. GENERAL

1.01 This section provides connection information for strip mounted key telephone units of the 1A Key Telephone System.

1.02 Information in this section was formerly contained in Sections 518-112-430 and 518-112-431 which are hereby canceled.

1.03 For additional information, refer to the following SDs:

- SD-69136-01—Key Telephone system No. 1A, Line and Signaling Circuit
- SD-69199-01—Key Telephone System No. 1A, Intercommunicating Line Circuit with Dial Selection
- SD-69105-01—Key Telephone System No. 1A, Private Line Circuit

2. CONNECTIONS

2.01 When central office or building battery is used and the fuses at the supply are not readily accessible, fuse as shown in Table A.

2.02 Connection Index:

Fig. 1—50-Type Key Telephone Units, Connections

Fig. 2—51A Key Telephone Unit, Schematic

Table A—Fusing Arrangement for Central Office or Building Battery

Fig. 3—52A Key Telephone Unit, Schematic

Fig. 4—53A Key Telephone Unit, Schematic

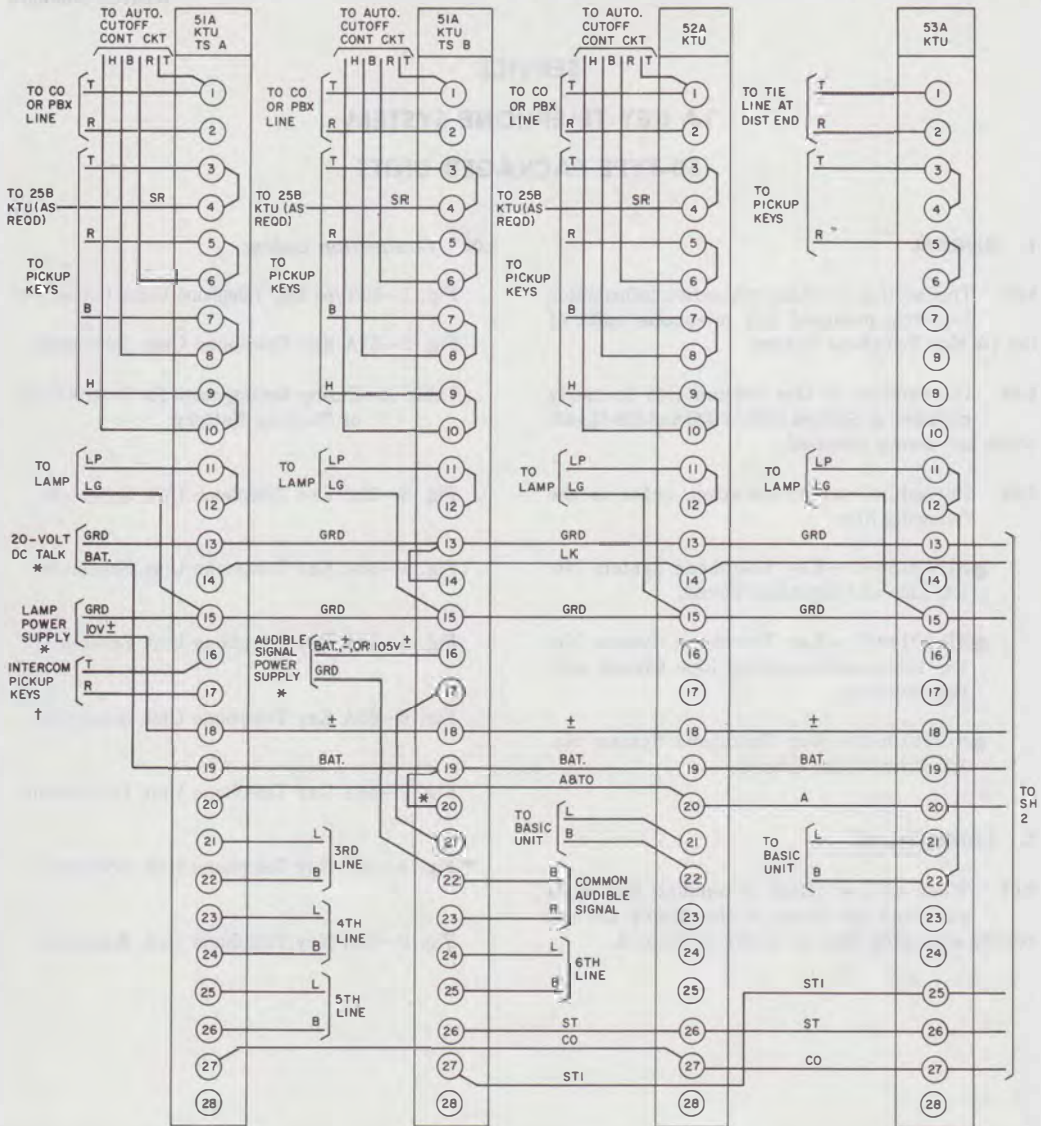
Fig. 5—54A Key Telephone Unit, Schematic

Fig. 6—55A Key Telephone Unit, Schematic

Fig. 7—56A Key Telephone Unit, Connections

Fig. 8—56A Key Telephone Unit, Schematic

Fig. 9—57A Key Telephone Unit, Schematic



* CONNECTIONS SHOWN ARE FOR J86731D, LIST 1 OR J86731A LIST 4 OR LIST 6 (101G) POWER PLANT. IF CENTRAL OFFICE OR BUILDING BATTERY IS USED AND FUSES AT SUPPLY ARE NOT READILY ACCESSIBLE, FUSE AS SHOWN IN TABLE A. IF FUSES AT SUPPLY ARE READILY ACCESSIBLE AND THE MAXIMUM CURRENT DRAIN TO A SYSTEM DOES NOT EXCEED 1.6 AMPERES, NO CIRCUIT FUSES AT EQUIPMENT ARE REQUIRED. WHEN USING TABLE A, REMOVE STRAP ON TS B OF 51A KTU BETWEEN TERMINALS 19 AND 20.

† FOR LINE BUSY LAMP ON INTERCOMMUNICATING LINE, ADD WIRING ON 51A KTU AS FOLLOWS:
 3 TOP OF BF RELAY TO 1 BOTTOM OF SR RELAY
 4 TOP OF BF RELAY TO TS A 28 OR H.B. JONES TERMINAL (LP LEAD).

Fig. 1—50-Type Key Telephone Units, Connections (Sheet 1)

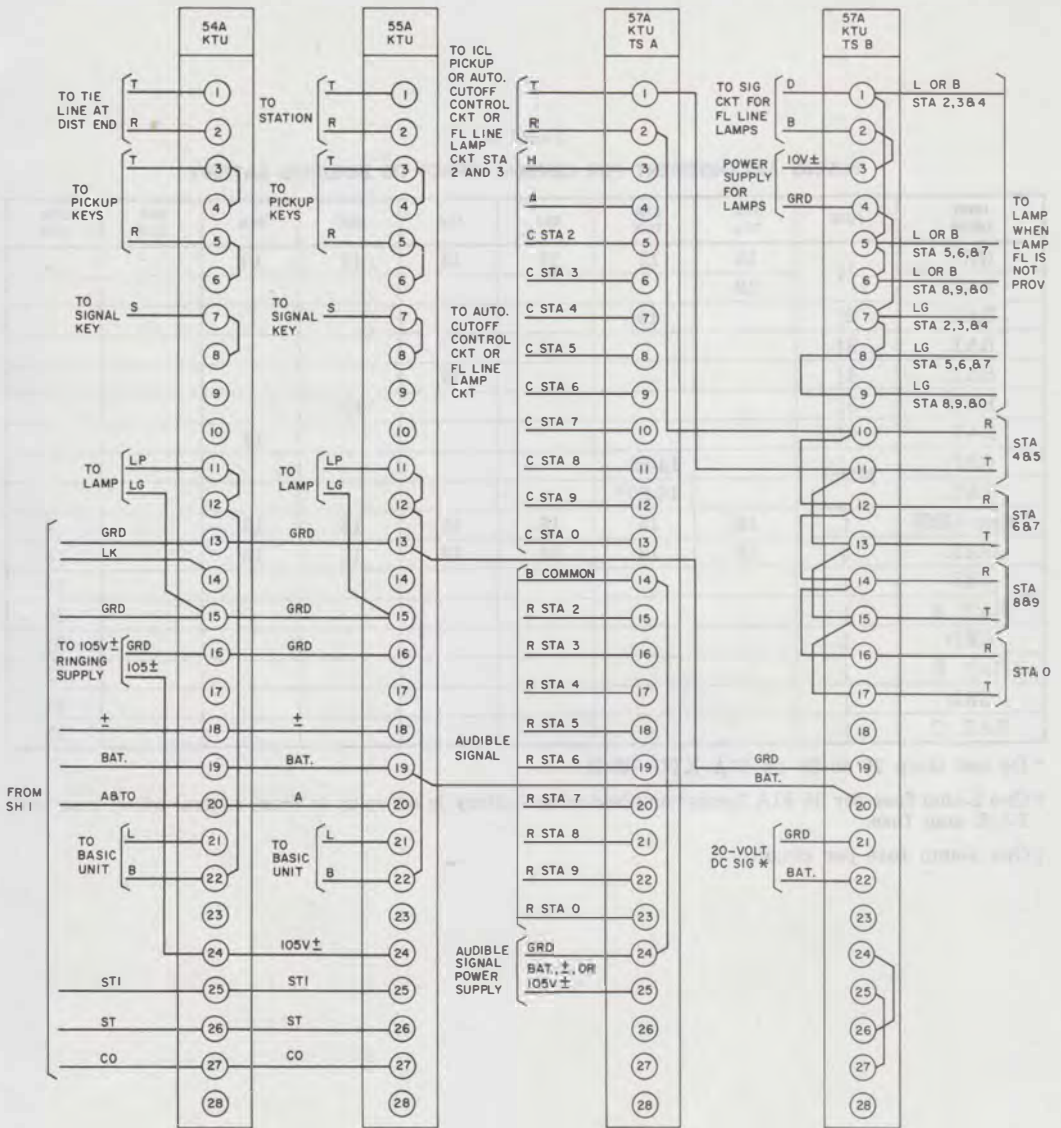


Fig. 1—50-Type Key Telephone Units, Connections (Sheet 2)

TABLE A
FUSING ARRANGEMENT FOR CENTRAL OFFICE OR BUILDING BATTERY

LEAD DESIG	FUSE	51A TS A	57A TS B	52A	53A	54A	55A	57A TS A	57A TS B
GRD	1†	13	13	13	13	13	13		
BAT.		19							
BAT.	2‡		19						
BAT.	3‡			19					
BAT.	4‡				19				
BAT.	5‡					19			
BAT.	6‡						19		
GRD	Misc†		14-22						
BAT.				16-20*					
Lamp GRD	‡	15	15	15	15	15	15		4
BAT.	‡	18	18	18	18	18	18		3
GRD	‡								19
BAT. A	‡								20
GRD	‡								21
BAT. B	‡								22
GRD	‡								24
BAT. C	‡								25

* Do not strap 19 to 20 on 51A KTU TS B.

† One 2-amp fuse per 36 51A lamps; or when lamp battery is 48 volts dc from central office, fuse with 1-1/3 amp fuse.

‡ One 2-amp fuse per circuit.

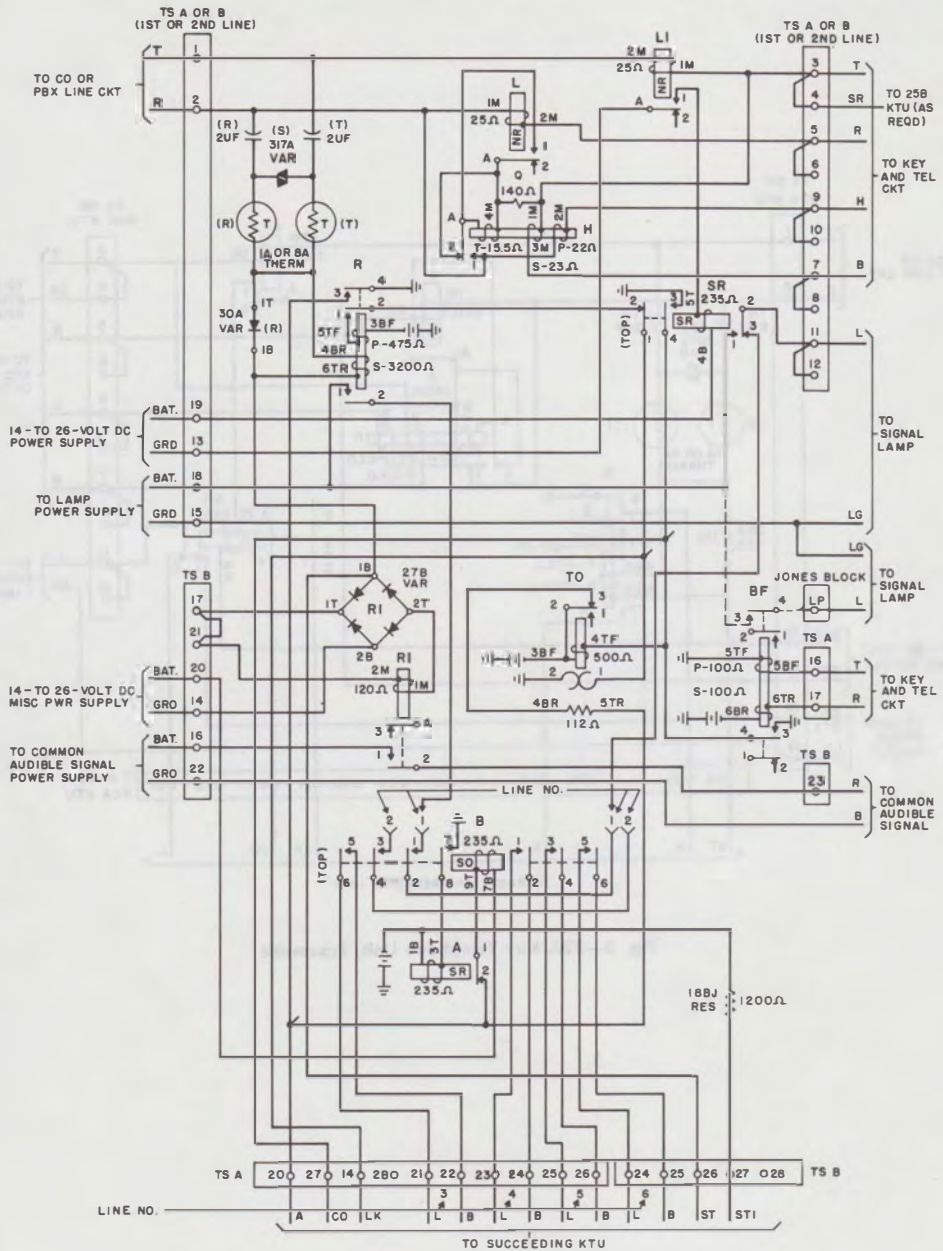


Fig. 2—51A Key Telephone Unit, Schematic

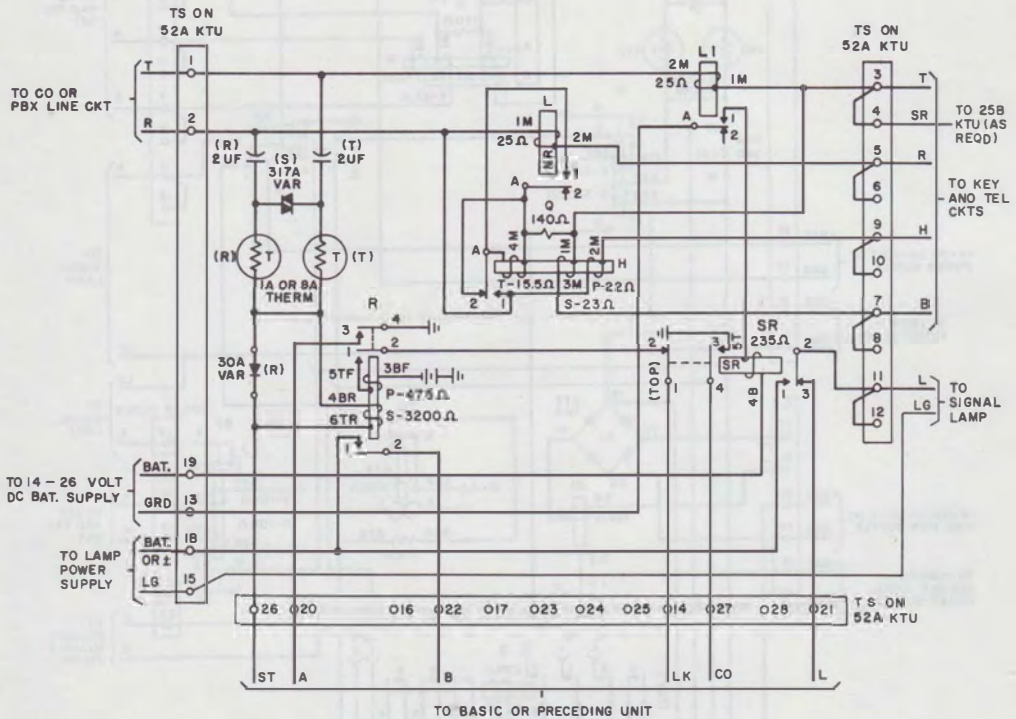


Fig. 3—52A Key Telephone Unit, Schematic

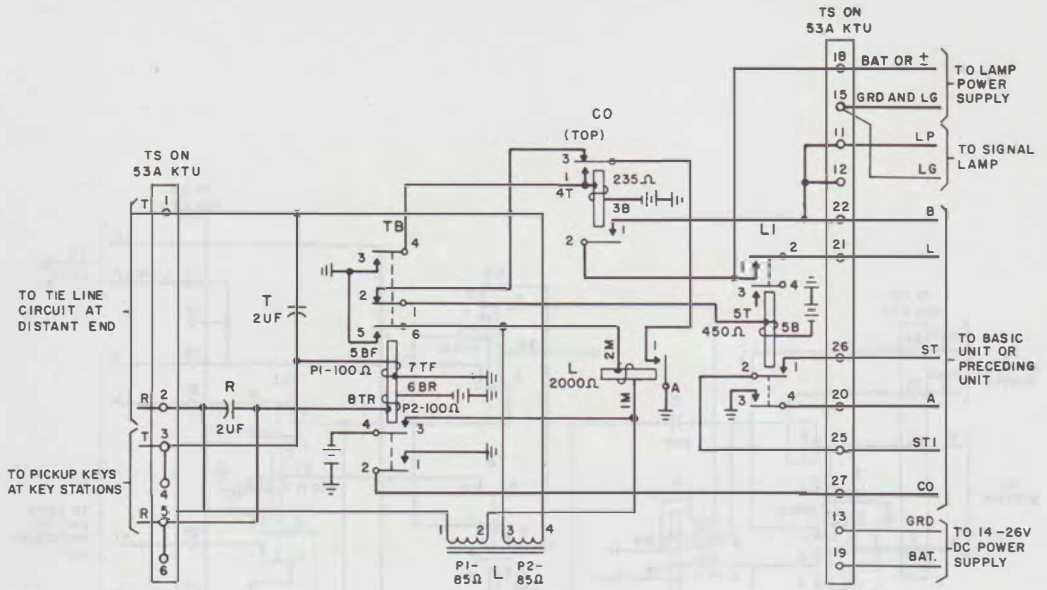


Fig. 4—53A Key Telephone Unit, Schematic

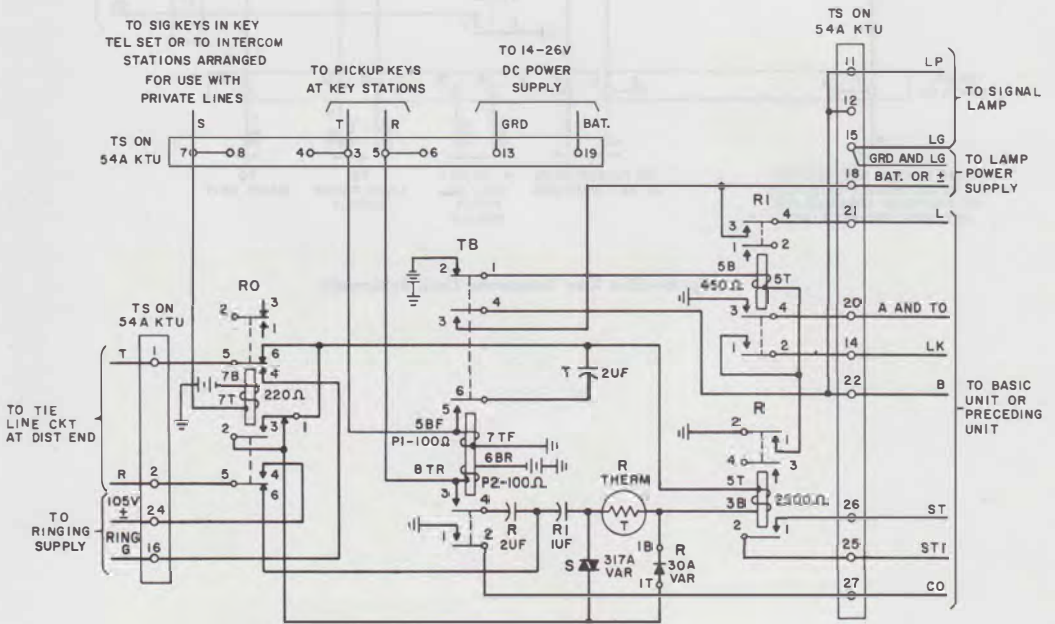


Fig. 5—54A Key Telephone Unit, Schematic

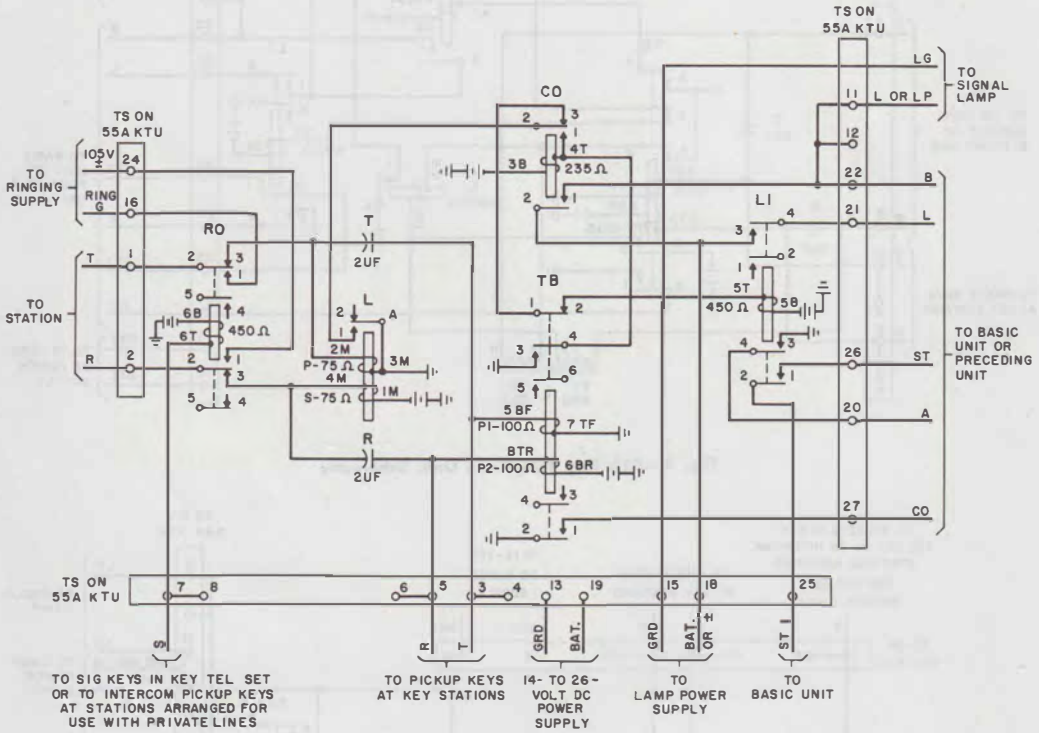
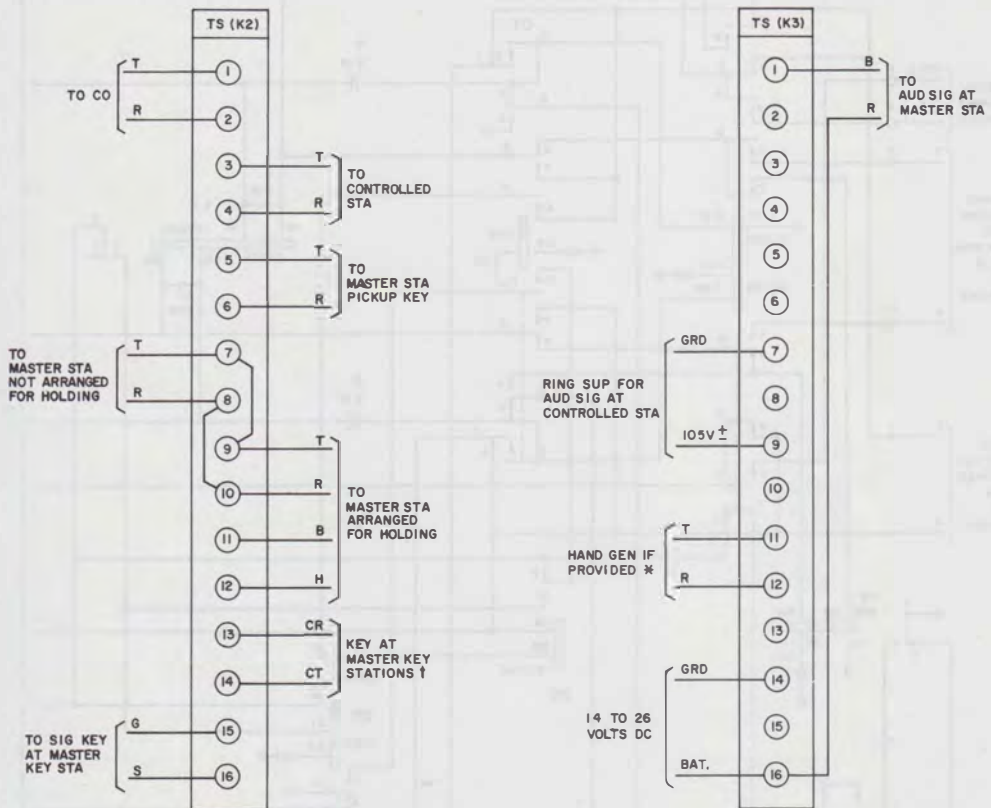


Fig. 6—55A Key Telephone Unit, Schematic



* IF HAND GENERATOR PROVIDED, OMIT RINGING SUPPLY ON (7) AND (9) OF K3 AND THE "s" AND "g" LEADS ON (15) AND (16) OF K2

† IN KEY TEL SETS CONNECT GN-W AND R-W CONDUCTORS TO CT TERMINAL. IN EXTERNAL KEYS STRAP CT AND LR TERMINALS, EXCEPT FOR THE 6040C AND 6041C KEY STRAP THE CT AND ONI.

Fig. 7—56A Key Telephone Unit, Connections

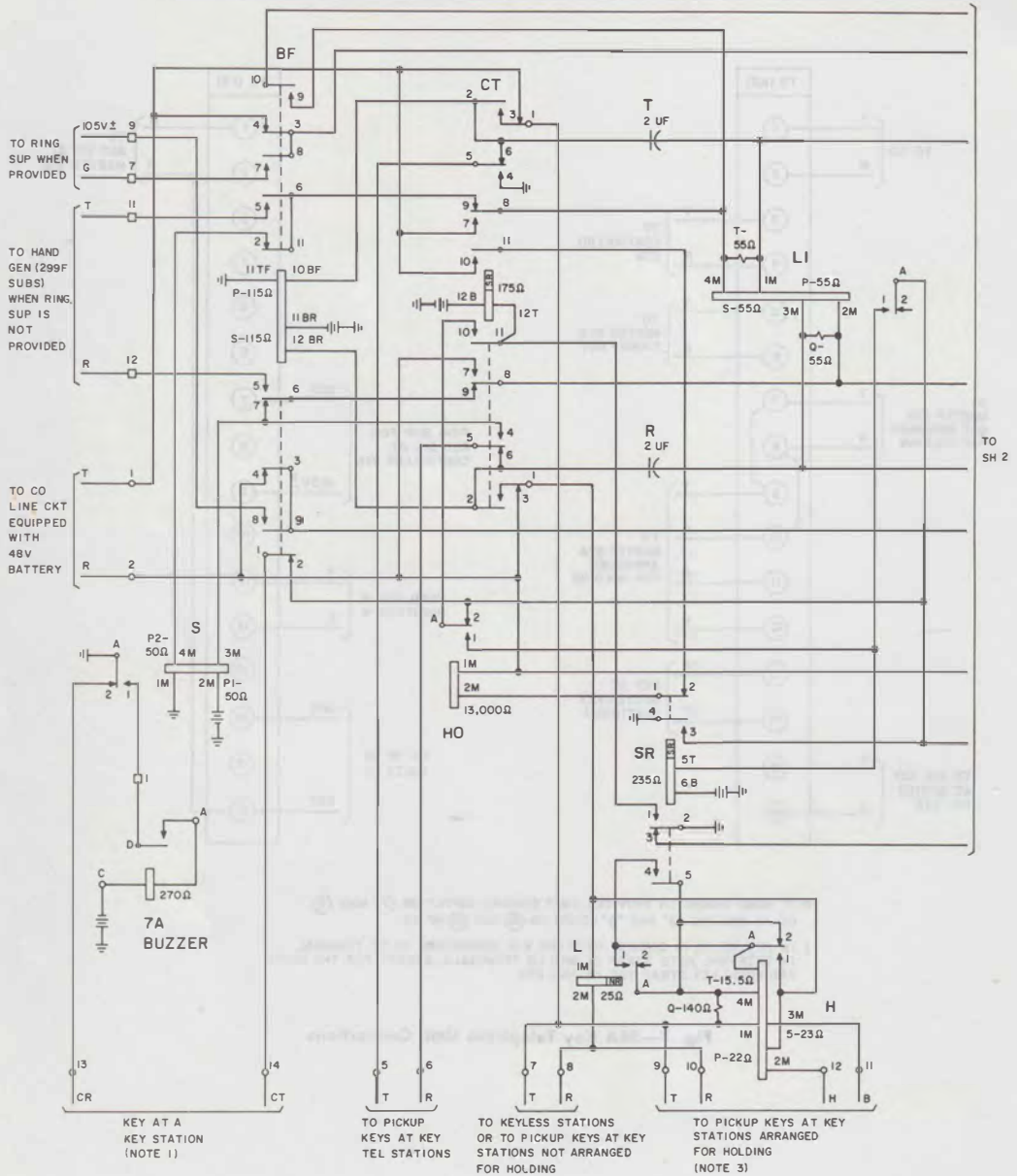


Fig. 8—56A Key Telephone Unit, Schematic (Sheet 1)

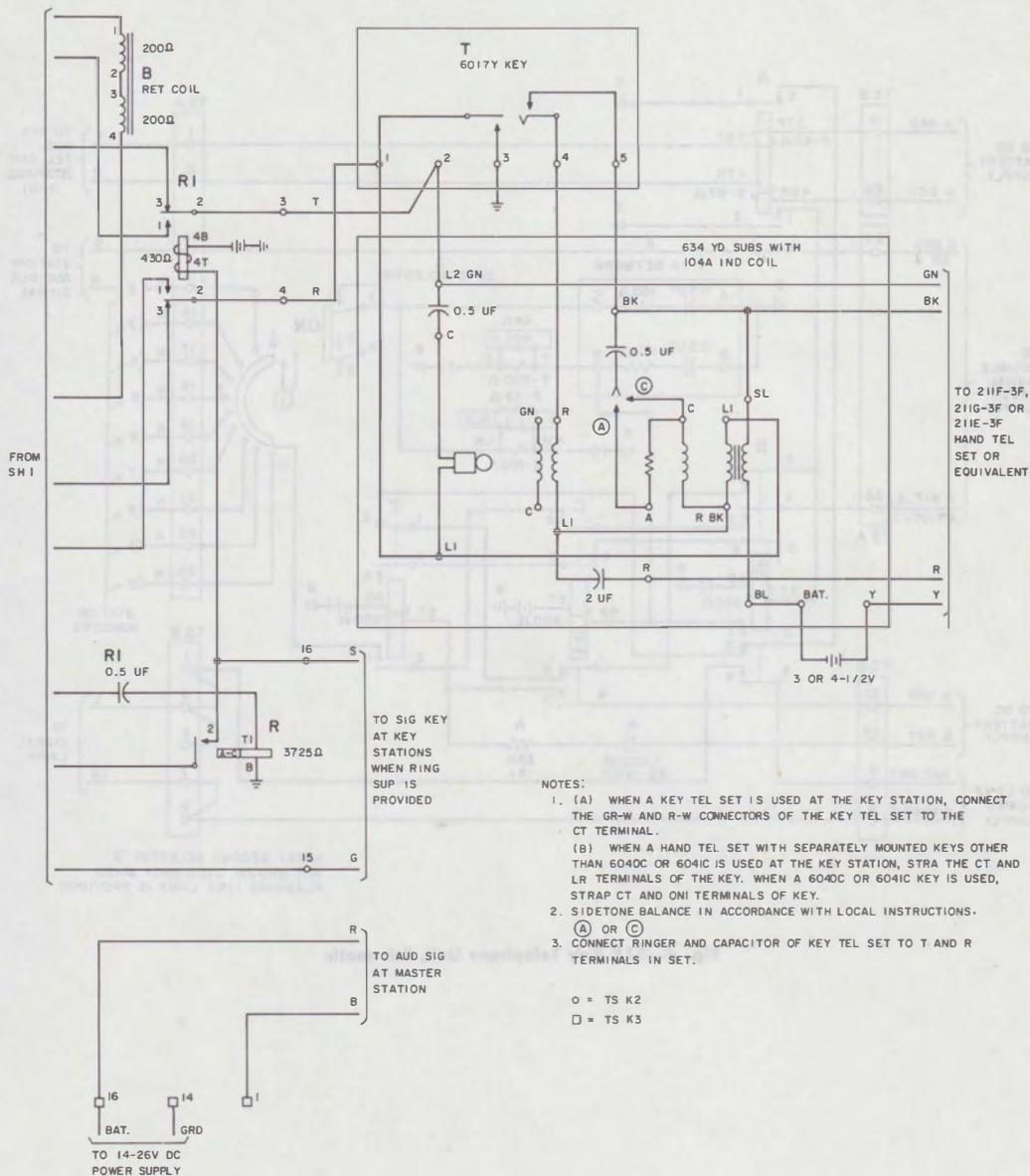


Fig. 8—56A Key Telephone Unit, Schematic (Sheet 2)

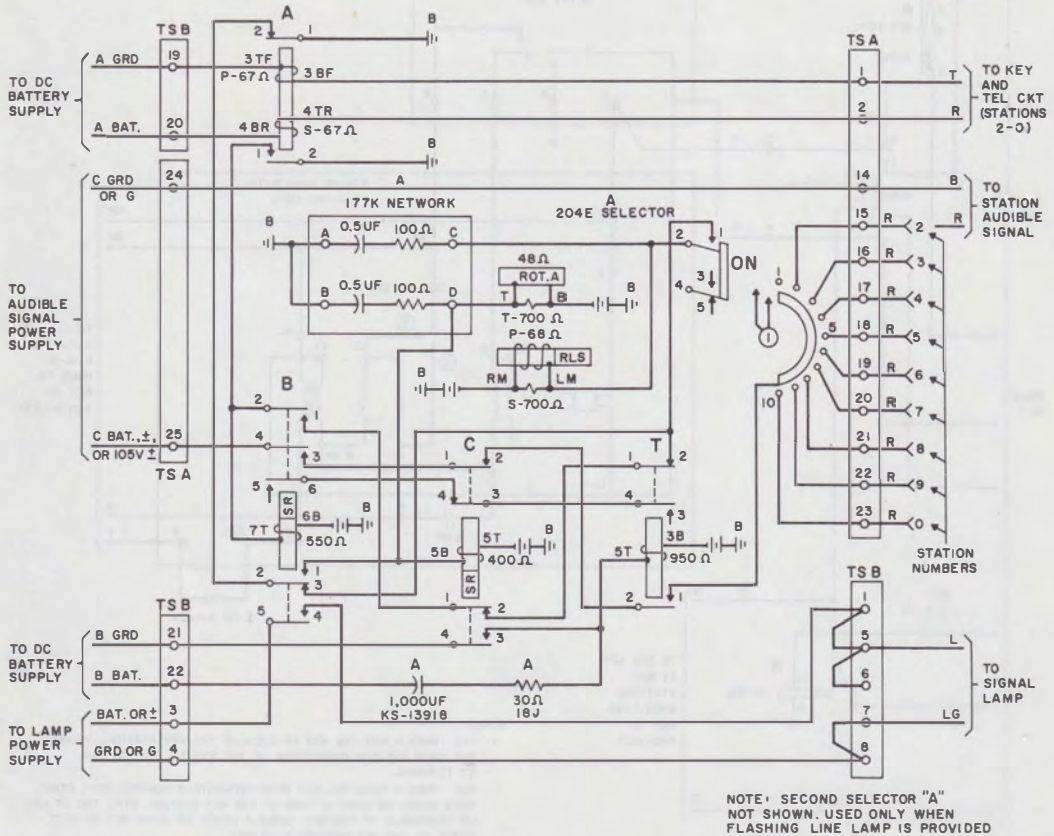


Fig. 9—57A Key Telephone Unit, Schematic