

## TELEPHONE SETS—2626A1

### IDENTIFICATION, INSTALLATION, OPERATION, CONNECTIONS, AND MAINTENANCE

#### 1. GENERAL

1.01 The 2626A1 telephone set (Fig. 1) is intended solely for use with specially engineered lines—*not for general telephone use.*

1.02 Information contained in this section was formerly found in Section 502-626-100, which is canceled.

#### 2. IDENTIFICATION

##### PURPOSE

This set is intended for use with Switching System No. 307 and is arranged for TOUCH-TONE® dial calling on 2- or 4-wire lines.

##### ORDERING GUIDE

Set, Telephone, 2626A1-3

*Note:* Set is available in black (-03) only.



Fig. 1—2626A1 Telephone Set

##### (a) Replaceable Components (Fig. 2 and 3)

- Buzzer, KS-8109L2
- Cord, Mounting, D120F-3
- Dial, 22D3
- Faceplate Assembly, 220A1-78
- Components of 220A1-78 Faceplate Assembly
  - P-20F627 Mat (silver)
  - P-20F640 Faceplate
- Key, 598A
- Key, 599A
- Lamp, 51A
- P-27E737 Relay Assembly (FW and PC)
- P-44E508 Bezel

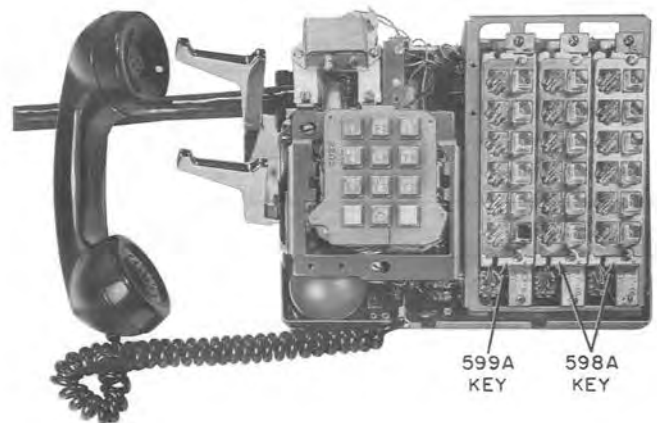


Fig. 2—2626A1 Telephone Set, Cover Removed

## SECTION 529-226-113

- Components of P-44E508 Bezel

P-44E505 Upper Bezel

P-44E506 Lower Bezel

P-44E507 Bezel Retainer

RM-712661 Bezel Clip

RM-712662 Bezel Spring

- P-84C003 Housing Assembly

- Ringer, N1A

- Set, Hand, G3Y-3

- P-44E129, Strip, Designation (for 598A and 599A keys)—Shipped loose

(b) **Replaceable Optional Components**

- Diode, 440A

### DESIGN FEATURES

- Six transfer line switch

- 2- or 4-wire operation (using FW relay)

- Multiple keys arranged for line pickup, holding, and control

- Expanded dialing function (using four precedence keys and PC relay)

- Common audible ringer

- AC or DC operated buzzer (auxiliary audible signal)

### APPLICATION

- Central office or PBX 2- or 4-wire line circuits in conjunction with 1A1 and 1A2 key telephone systems.

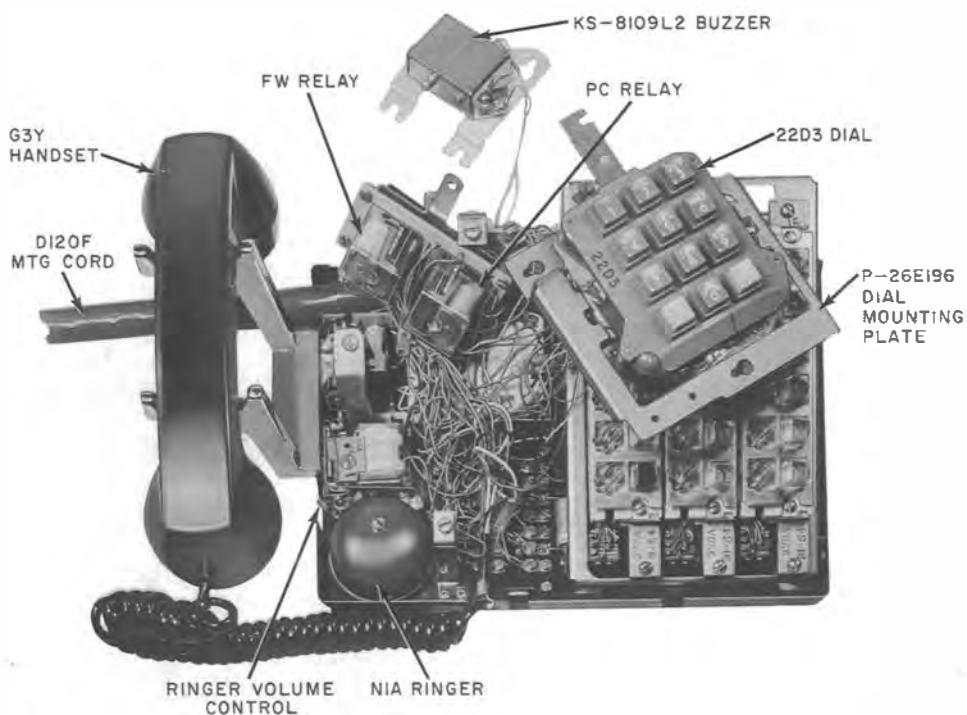


Fig. 3—2626A1 Telephone Set, Components

**3. INSTALLATION**

(a) *Planning*

- Safety for yourself, customer, and maintenance personnel
- Location—desk, console, table, etc.
- Space requirements
- Distance between associated equipment and apparatus
- General appearance of installation

(b) *Installing*

- Install sets in accordance with standard installation procedures.
- Connect the plug-ended mounting cord to the appropriate connector cable.

**4. OPERATION**

- Refer to appropriate section in Division 480 (covering Switching System No. 307) for detailed description and operation of this telephone set.

**5. CONNECTION INDEX**



*No changes in wiring other than those specified in this practice shall be made.*

Table A—Module and Key Arrangement

Table B—Modification To Reduce Dialing Tones In 4-Wire Configuration

Table C—Modification To Permit Multipling Stations

Table D—Ringer Connections

Table E—Plug Termination of D120F Cord

Fig. 4—2626A1 Telephone Set, Connections

Fig. 5—Mounting Cord and Key Units For 2626A1 Telephone Set

Refer to SD-69505-01 for telephone set application with Switching System No. 307

**6. MAINTENANCE**

(a) *Replaceable Apparatus (see Part 2, Ordering Guide)*

*Note:* Buzzer is mounted with nylon screws and insulated washers. When replacing buzzer be sure buzzer is insulated from mounting bracket.

(b) *Repairable Apparatus*

- Refer to appropriate section for detailed maintenance

(c) *Connections*

- Verify as being correct and tight

(d) *Cleaning*

- Clean components with damp KS-2423 cloth
- Do not use scouring cleaners as this may damage finish

**TABLE A**  
**MODULE AND KEY ARRANGEMENT**

	1ST MODULE KEY UNIT 599A KEY	2ND MODULE KEY UNIT 598A KEY	3RD MODULE KEY UNIT 598A KEY
1st Position	Control Keys (Nonlocking)	Control Keys (Nonlocking)	Precedence Signal Keys (Nonlocking)
2nd Position			
3rd Position	Pickup Keys (Locking *)	(Locking * †)	
4th Position			
5th Position			Line 1 Pickup Key (Locking)
6th Position	Hold Key	(Locking * ‡)	

\* Convertible to nonlocking by removing the P-10E837 screw detail from the key plunger.

† Due to set wiring, this key cannot be used as a line pickup key, but may be connected for signaling.

‡ Convert to nonlocking to provide alarm buzzer cutoff feature.

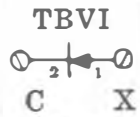
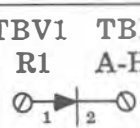
*Note:* When any locking key is converted for use as a nonlocking control or signal key, connect the associated spade-tipped lead to the C or SG terminal (respectively) on TBVI.

**TABLE B**  
**MODIFICATION TO REDUCE DIALING TONES  
IN 4-WIRE CONFIGURATION**

WIRE OR LEAD	COLOR	REMOVE FROM	CONNECT TO
Dial	(W-BL)	R Net.	TB1-5
FW Relay	(BK-BL)	TB1-18	R Net.
	(O-W)	TB1-5	TB1-18

*Note:* This modification provides for reduction of dialing tones heard in handset receiver during 4-wire operation (equal to 2-wire signal level).

**TABLE C**  
**MODIFICATION TO PERMIT MULTIPLYING STATIONS**

WIRE OR LEAD		REMOVE FROM	CONNECT TO
Mtg Cord (G-W Binder)	(Y-S)	TBIII-T	G Net.
Strap	(G-3K)	G Net.	TBVI-C
Key Plug I	(Y-G)	TBI-A-H	TBVI-R1
	(BR-BK)	TBI-A-H	TBVI-X
(Add) 440A Diodes			
			

*Note:* This modification permits multiplying a line to more than one station.

**TABLE D**  
**RINGER CONNECTIONS**

OPTION (See Note)		RINGER LEADS			
		(BK)	(R)	(S)	(S-R)
Common or Private Line Ringer	With Capacitor	K Net.	TB2-1	*	*
	Without Capacitor	A Net.	TB2-1	*	*

\* Insulated and stored

*Note:* Set is factory-wired with capacitor in circuit. When power failure feature is not provided ringer may be connected without capacitor for common, private, or intercommunicating line signal unless otherwise specified.

**TABLE E**  
**PLUG TERMINATION OF D120F CORD**

D120F CORD COLOR	PLUG TERM.	LEAD DESIGNATION		
		PLUG 1 BLUE-WHITE BINDER	PLUG 2 ORANGE-WHITE BINDER	PLUG 3 GREEN-WHITE BINDER
BL-W	1	R	R	PC1
W-BL	26	T	T	SPARE
O-W	2	A1	*	*
W-O	27	A, S, or S1	A, S, or S1	*
G-W	3	L	L	L
W-G	28	LG	LG	LG
BR-W	4	R	R	PC2
W-BR	29	T	T	SPARE
S-W	5	*	*	*
W-S	30	A, S, or S1	A, S, or S1	*
BL-R	6	L	L	L
R-BL	31	LG	LG	LG
O-R	7	R	R	PC3
R-O	32	T	T	SPARE
G-R	8	*	*	*
R-G	33	A, S, or S1	A, S, or S1	*
BR-R	9	L	L	L
R-BR	34	LG	LG	LG
S-R	10	R	R	PC4
R-S	35	T	T	SPARE
BL-BK	11	*	*	*
BK-BL	36	A, S, or S1	A, S, or S1	*
O-BK	12	L	L	L
BK-O	37	LG	LG	LG
G-BK	13	R	R	ST1
BK-G	38	T	T	STB*
BR-BK	14	*	*	ST2
BK-BR	39	A	A, S, or S1	NONE
S-BK	15	L	L	L(PWR)
BK-S	40	LG	LG	LG(PWR)
BL-Y	16	R	R	NONE
Y-BL	41	T	T	ALR
O-Y	17	FW	*	SPARE
Y-O	42	A	A, S, or S1	*
G-Y	18	SPARE	L	L(ALM)
Y-G	43	SPARE	LG	LG(ALM)
BR-Y	19	SG	PB	RR
Y-BR	44	LK	SPARE	RT
S-Y	20	R or R1	BZ	- 48V
Y-S	45	B or B1	BZI	OH
	21 46 22 47 23 48 24 49 25 50	VACANT	VACANT	VACANT

\* Cut dead at butt.



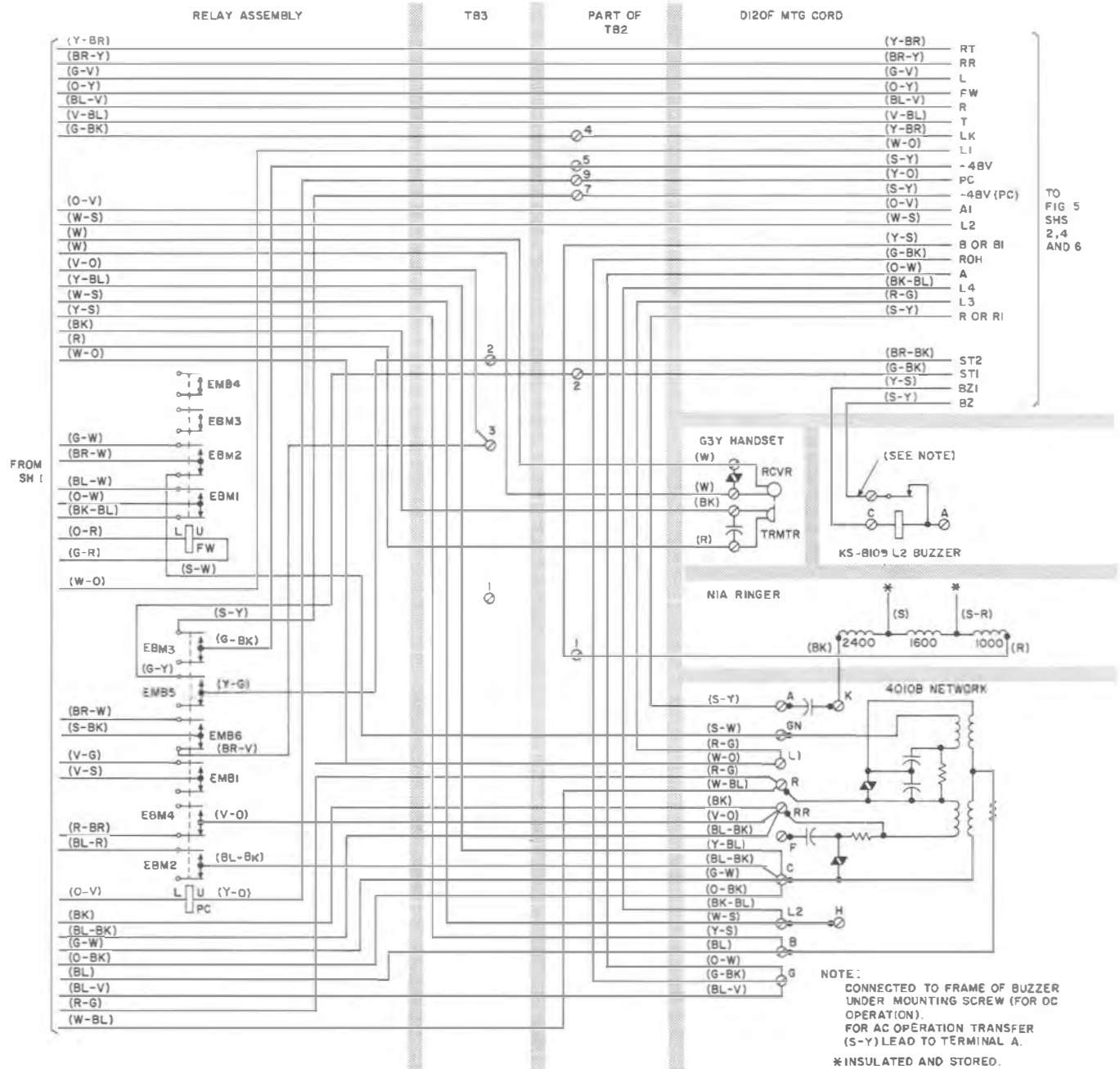


Fig. 4—2626A1 Telephone Set, Connections (Sheet 2 of 2)

1ST MODULE KEY UNIT  
(599A KEY)

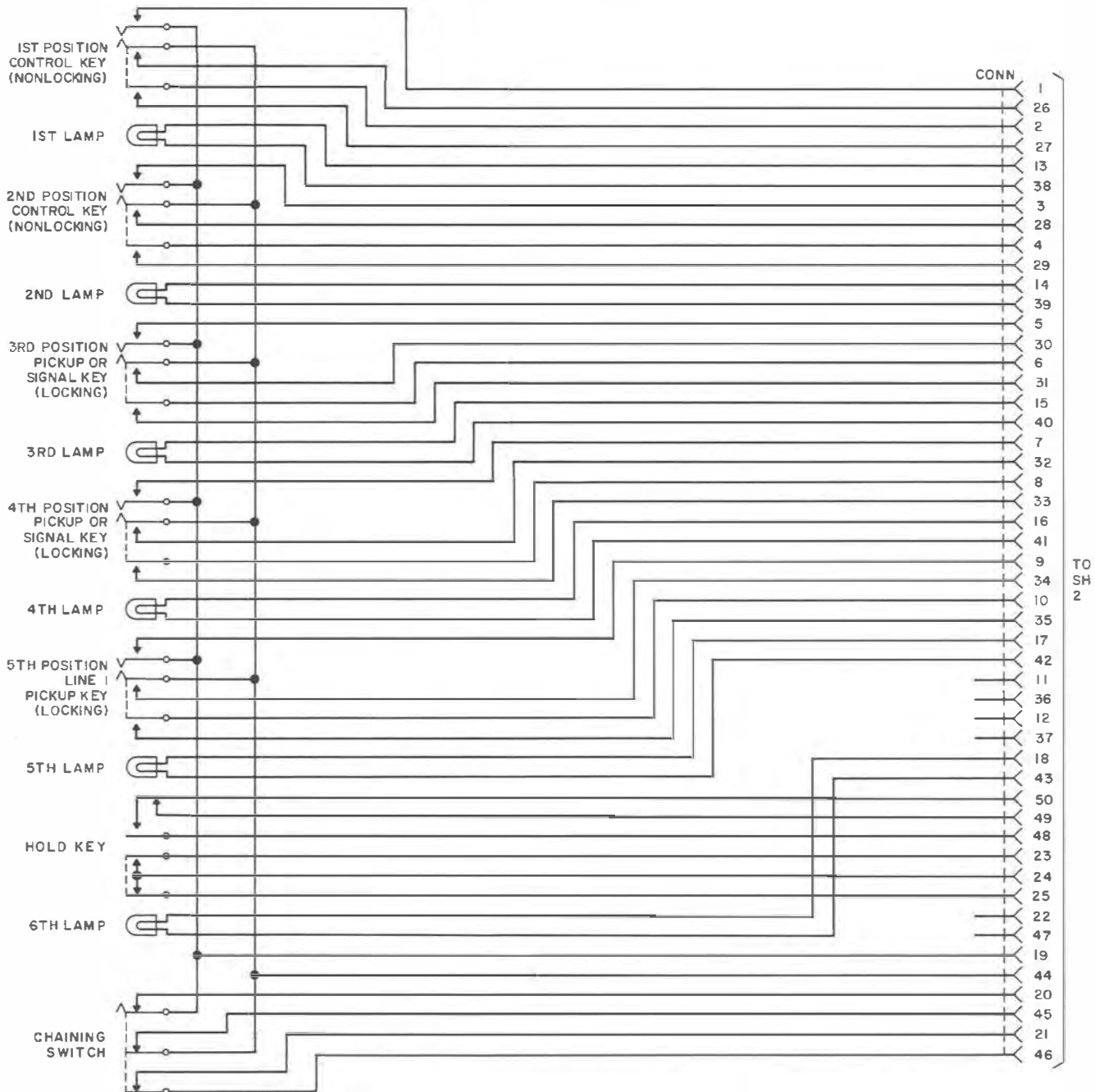


Fig. 5—Mounting Cord and Key Units For 2626A1 Telephone Set (Sheet 1 of 6)



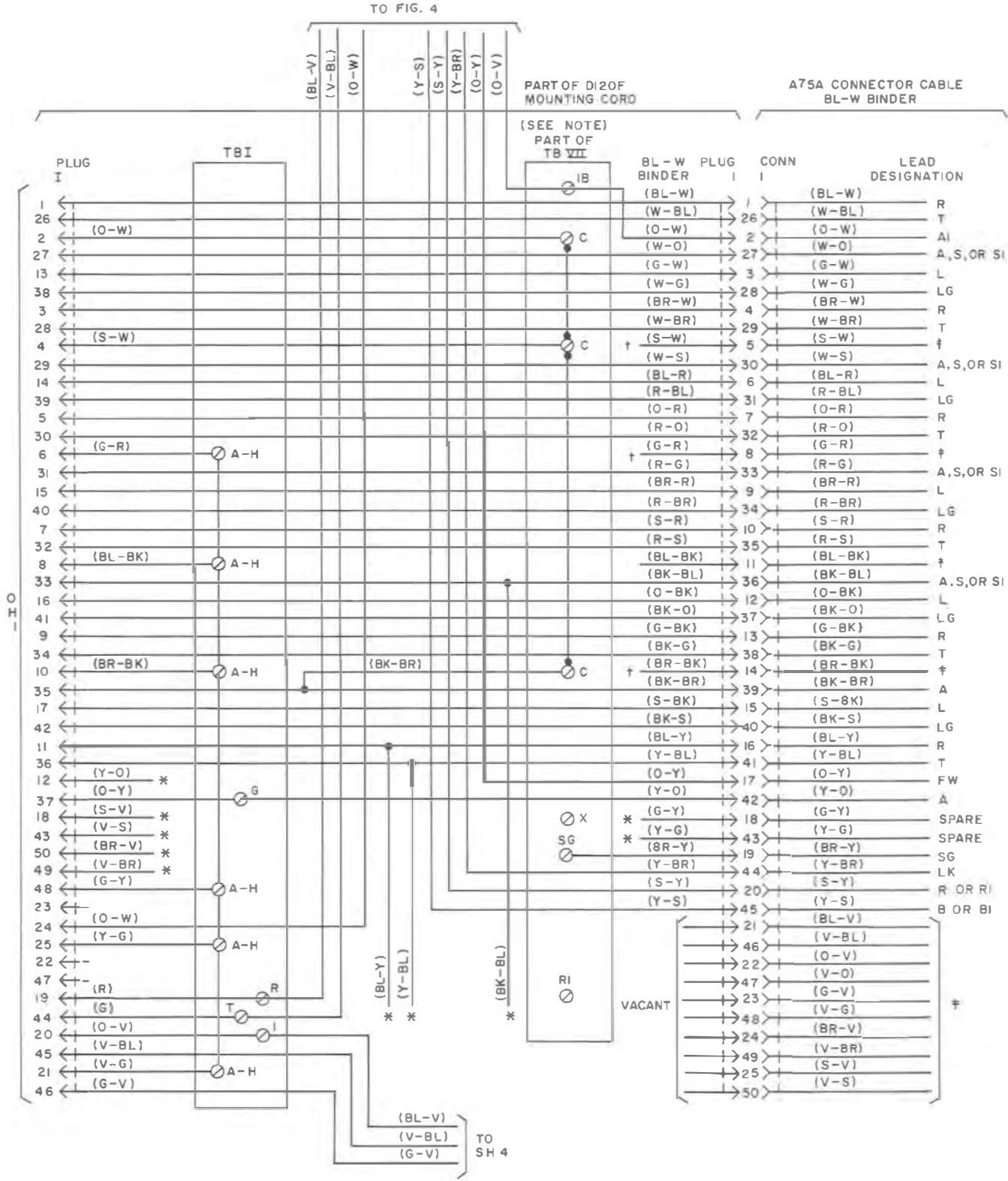


Fig. 5—Mounting Cord and Key Units For 2626A1 Telephone Set (Sheet 2 of 6)

2ND MODULE KEY UNIT  
(598A KEY)

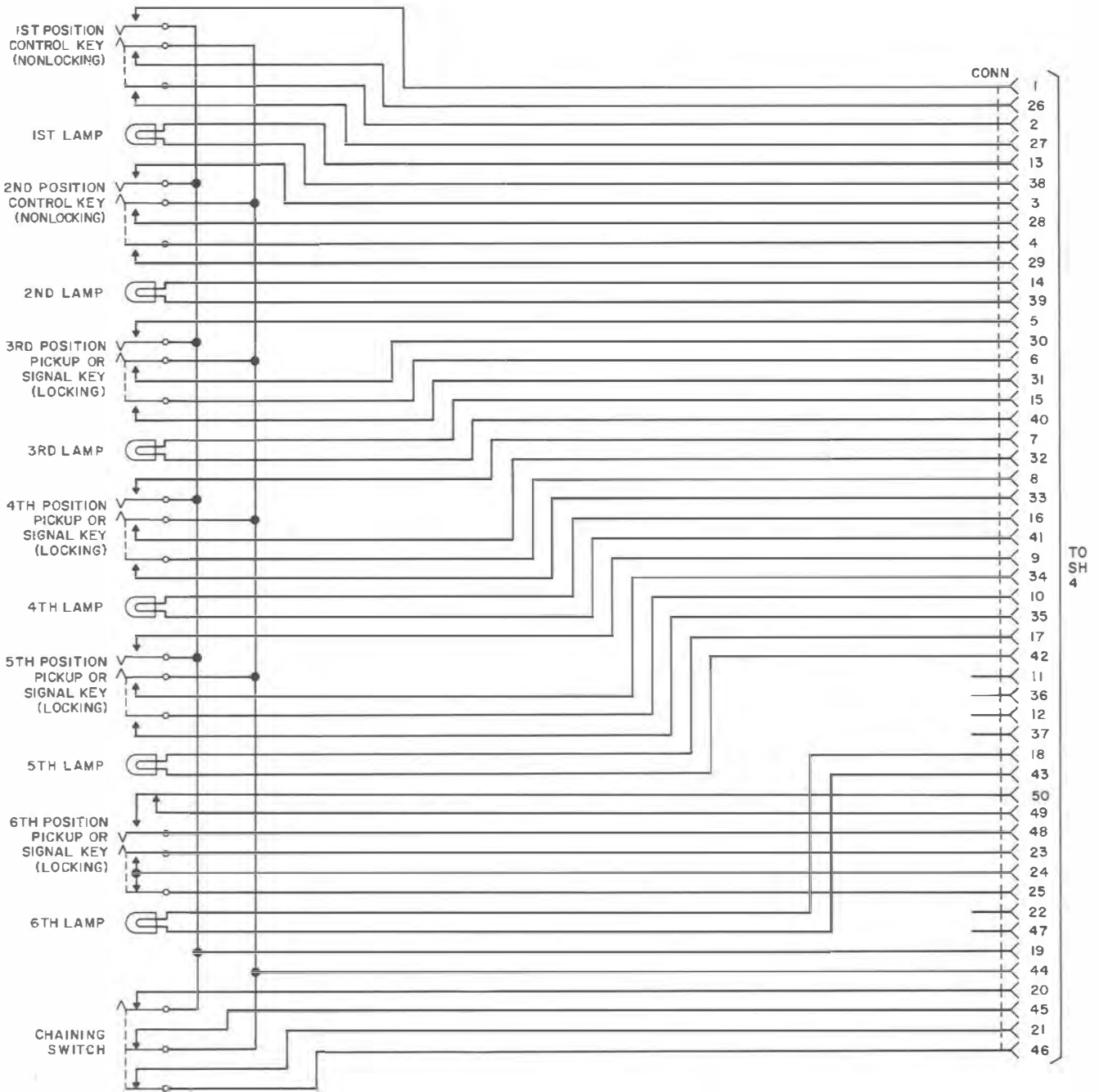


Fig. 5—Mounting Cord and Key Units For 2626A1 Telephone Set (Sheet 3 of 6)

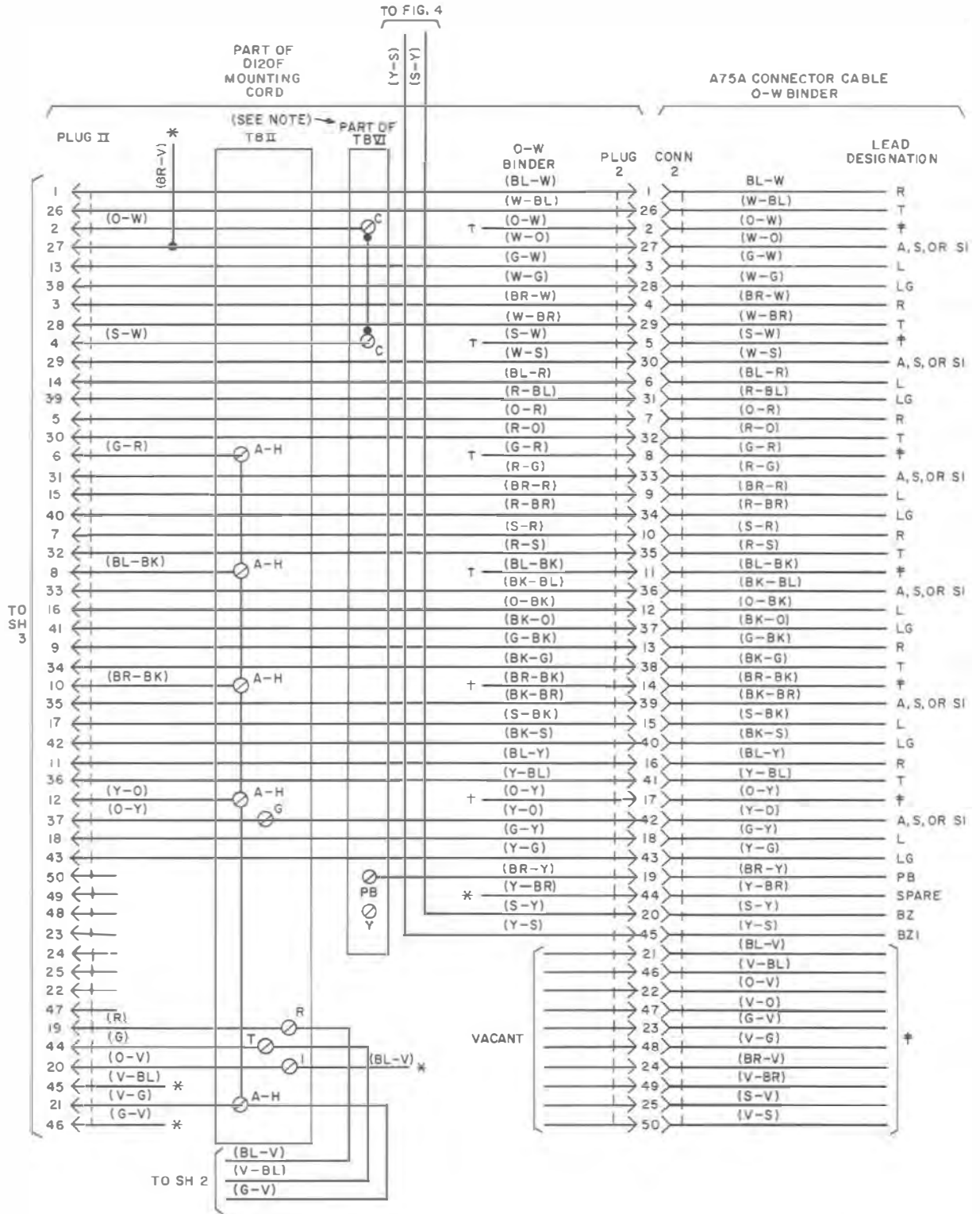


Fig. 5—Mounting Cord and Key Units for 2626A1 Telephone Set (Sheet 4 of 6)

3RD MODULE KEY UNIT  
(598A KEY)

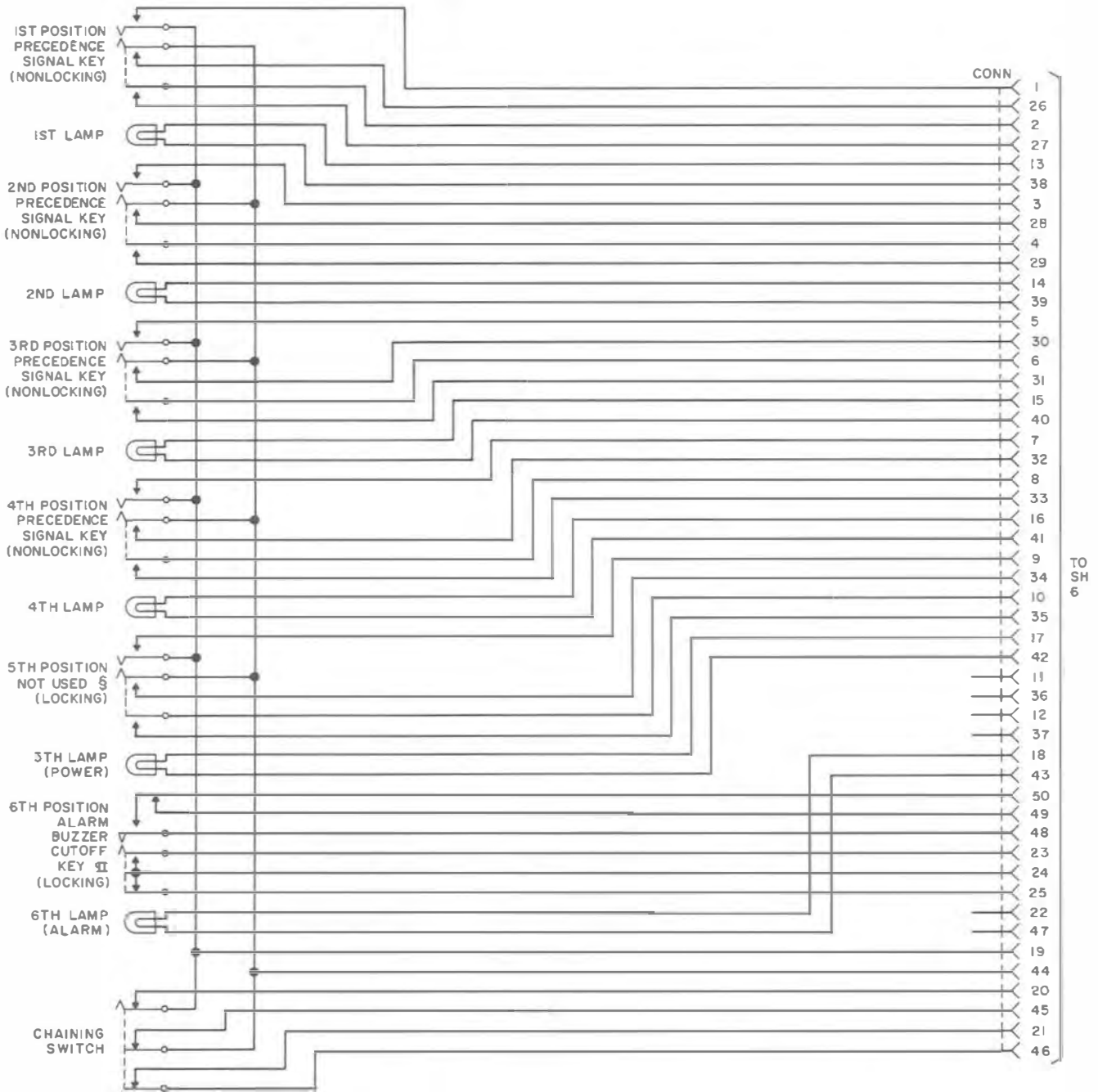
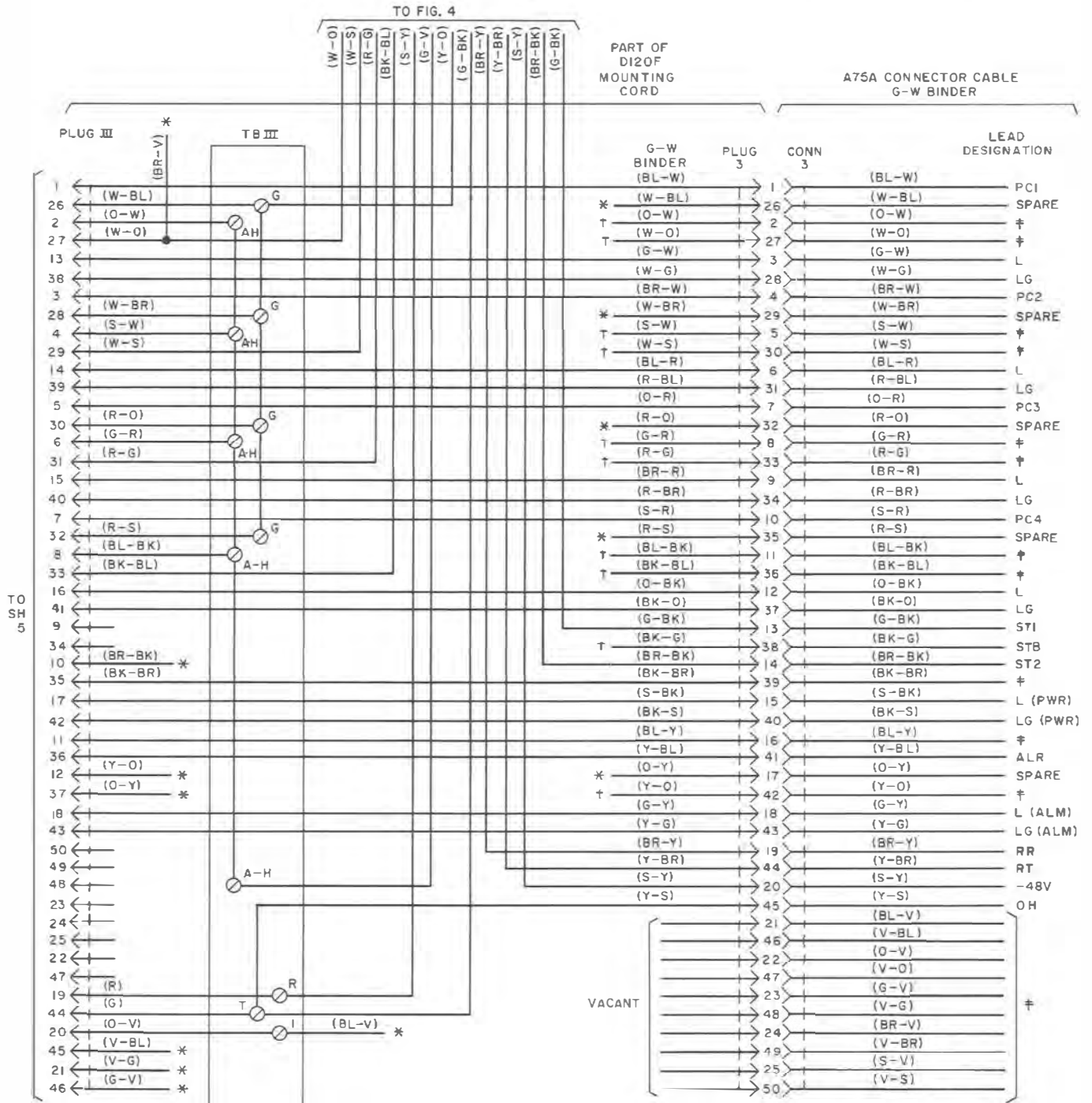


Fig. 5—Mounting Cord and Key Units For 2626A1 Telephone Set (Sheet 5 of 6)



NOTE:  
 TERMINAL C SHOWN ON SHEETS 2 AND 4 ARE COMMON.

\* INSULATED AND STORED  
 † CUT DEAD AT BUTT  
 ‡ NOT USED  
 § MAY BE CONVERTED FOR SIGNALING, SEE TABLE A.  
 ¶ CONVERT TO NONLOCKING TO PROVIDE FOR BUZZER CUTOFF FEATURE

Fig. 5—Mounting Cord and Key Units For 2626A1 Telephone Set (Sheet 6 of 6)