

TELEPHONE SETS
2684A AND 2685A TYPES
CONNECTIONS

1. GENERAL

1.01 The 2684A and 2685A type telephone sets are intended for individual lines, 1A1, 1A2, or 6A key telephone systems, and 3-type speaker-phone system. Intended solely for use with specially engineered lines — *not for general telephone use.*

2. CONNECTION INDEX



No changes in wiring other than those specified in this practice shall be made.

Table A — Telephone Set Codes and Module Arrangements

Table B — Conversion of Pickup Key to Signaling (Nonlocking)

Table C — Connections for 599B key (Turn Key)

Table D — Connections for 667B Transmitter

Fig. 1 — 2684A or 2685A Telephone Set Circuit

Fig. 2 — Cord and Cable Connections

Fig. 3 — 599A Key

Fig. 4 — 599B Key

Fig. 5 — 598A Key

Fig. 6 — 667B Transmitter

Fig. 7 — 617A Key

Fig. 8 — 59A Lamp Socket (Use 51A Lamps)

TABLE A
TELEPHONE SET CODES AND MODULE ARRANGEMENTS

TELEPHONE SET		SET EQUIPPED WITH											
		LEFT MODULE		2ND MODULE		3RD MODULE		4TH MODULE		5TH MODULE			
TYPE	CODE	KEY	FIG.	KEY	FIG.	KEY	FIG.	KEY	FIG.	KEY	FIG.		
2684A	1	599A	3	598A	5	105B							
	2					598A	5						
	4					617A	7						
	6	599B	4			105B							
	7					598A	5						
	9	598A	5			105B							
	10			598A	5								
	11	599A	3	617A	7	667B	6						
	12												
	13	599B	4	598A	5	59A	8						
	14	599A	3										
	15	599B	4										
2685A	1	599A	3	598A	5	598A	5	105B		105B			
	2							598A	5	598A	5	598A	5
	3									617A	7	617A	7
	4									59A	8		
	5									105B			
	9	599B	4					105B					
	10							598A	5	598A	5		
	11							105B					
	12	598A	5					598A	5	598A	5		
	13							105B					
	14							598A	5	105B			
	15	599A	3					598A	5	598A	5		
	16							105B					
	17							598A	5	667B	6		
	18							617A	7				
19	598A	5	59A	8									

TABLE B
CONVERSION OF PICKUP KEY TO SIGNALING (NONLOCKING)

NO. OF PICKUP KEYS REMAINING PER KEY	NO. OF SIG KEYS CONVERTED FROM PICKUP KEYS			NO. OF PRIVATE AND INTERCOM LINES WITH COM SIG KEYS	KEY LEAD TERMINATIONS						
	599A ORIG KEY	599B ORIG KEY	598A SUPL KEY		O-W	S-W	G-R	BL-BK	BR-BK	Y-O SUPL KEY ONLY	O-Y SUPL KEY ONLY
6					A-H*	A-H*	A-H*	A-H*	A-H*	A-H*	G*
5			1		A-H*	A-H*	A-H*	A-H*	A-H*	C	G*
4	1		2		A-H*	A-H*	A-H*	A-H*	C	C	G*
3	2	1	3		A-H*	A-H*	A-H*	C	C	C	G*
2	3	2	4		A-H*	A-H*	C	C	C	C	G*
1	4	3	5		A-H*	C	C	C	C	C	G*
			6		C	C	C	C	C	C	G*
5			1	2	A-H*	A-H*	A-H*	C	C	C	G*
5			1	3	A-H*	A-H*	C	C	C	C	G*
5			1	4	A-H*	C	C	C	C	C	G*
5			1	5	C	C	C	C	C	C	G*

* On terminal board associated with key.

Note 1: To convert a key position from pickup to signaling, remove screw detail P-10E837 from plunger at key position to be converted.

Note 2: The sixth key of any supplementary key unit may be converted for use as a common signaling key on several private or intercommunicating lines. The signaling is directed to the S or S1 lead of the lines to be signaled. The 1A1 or 1A2 system automatic cutoff feature cannot be used on a line connected to the common signaling key.

Note 3: Provide an M1W strap or equivalent between the SG and C terminals on TBVI.

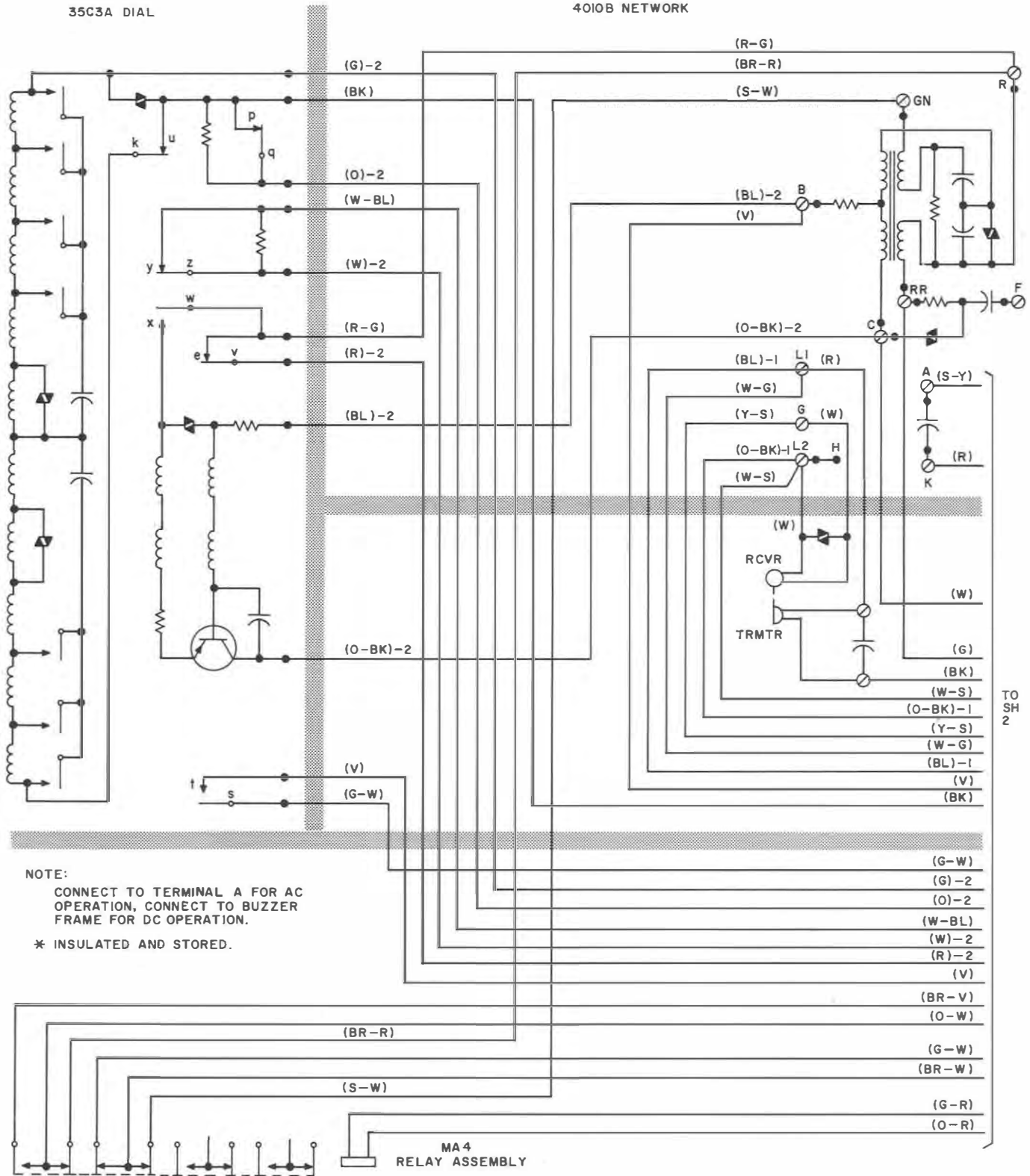


Fig. 1 — 2684A or 2685A Telephone Set Circuit (Sheet 1 of 2)

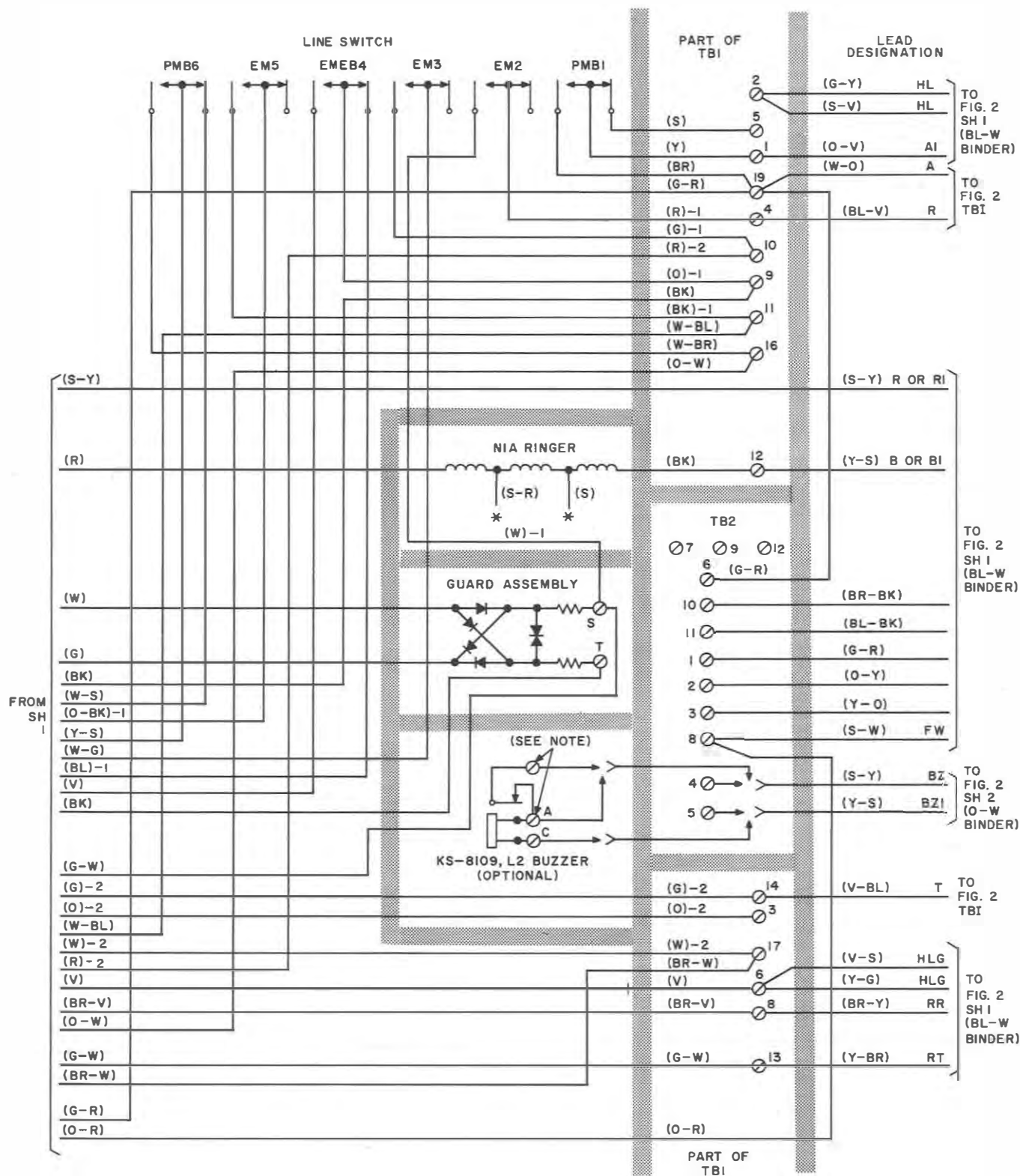


Fig. 1 — 2684A or 2685A Telephone Set Circuit (Sheet 2 of 2)

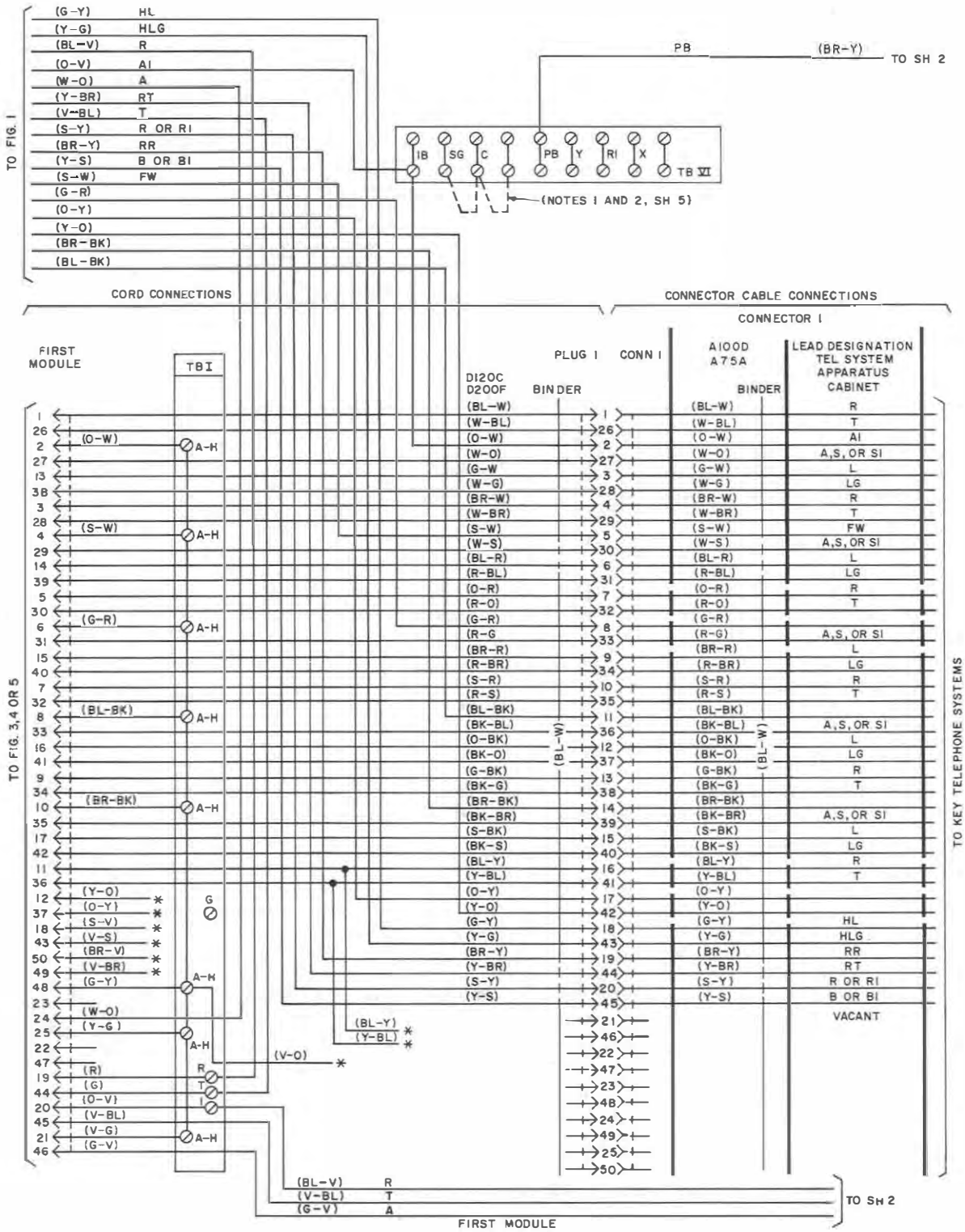


Fig. 2 — Cord and Cable Connections (Sheet 1 of 5)

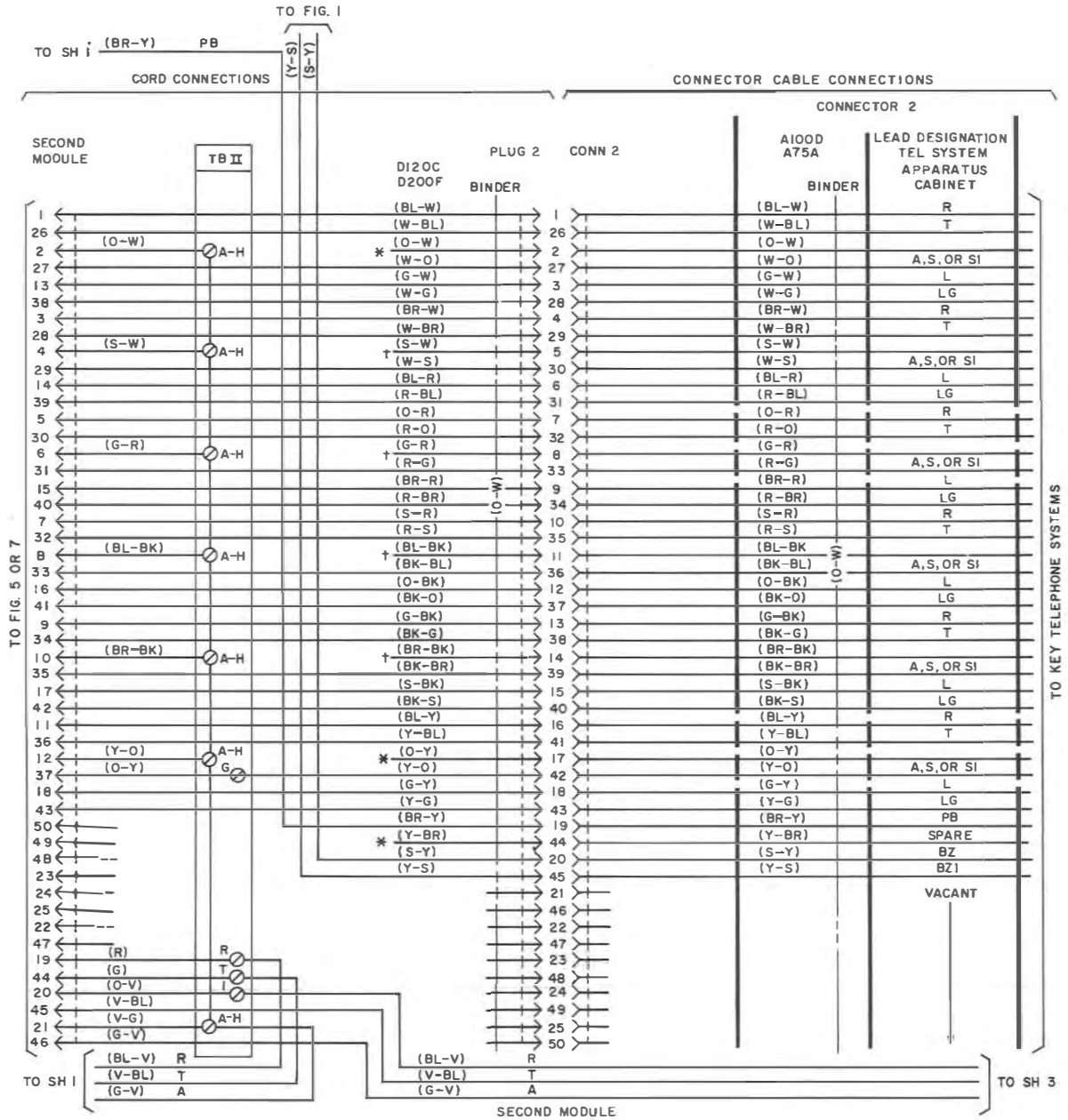


Fig. 2 — Cord and Cable Connections (Sheet 2 of 5)

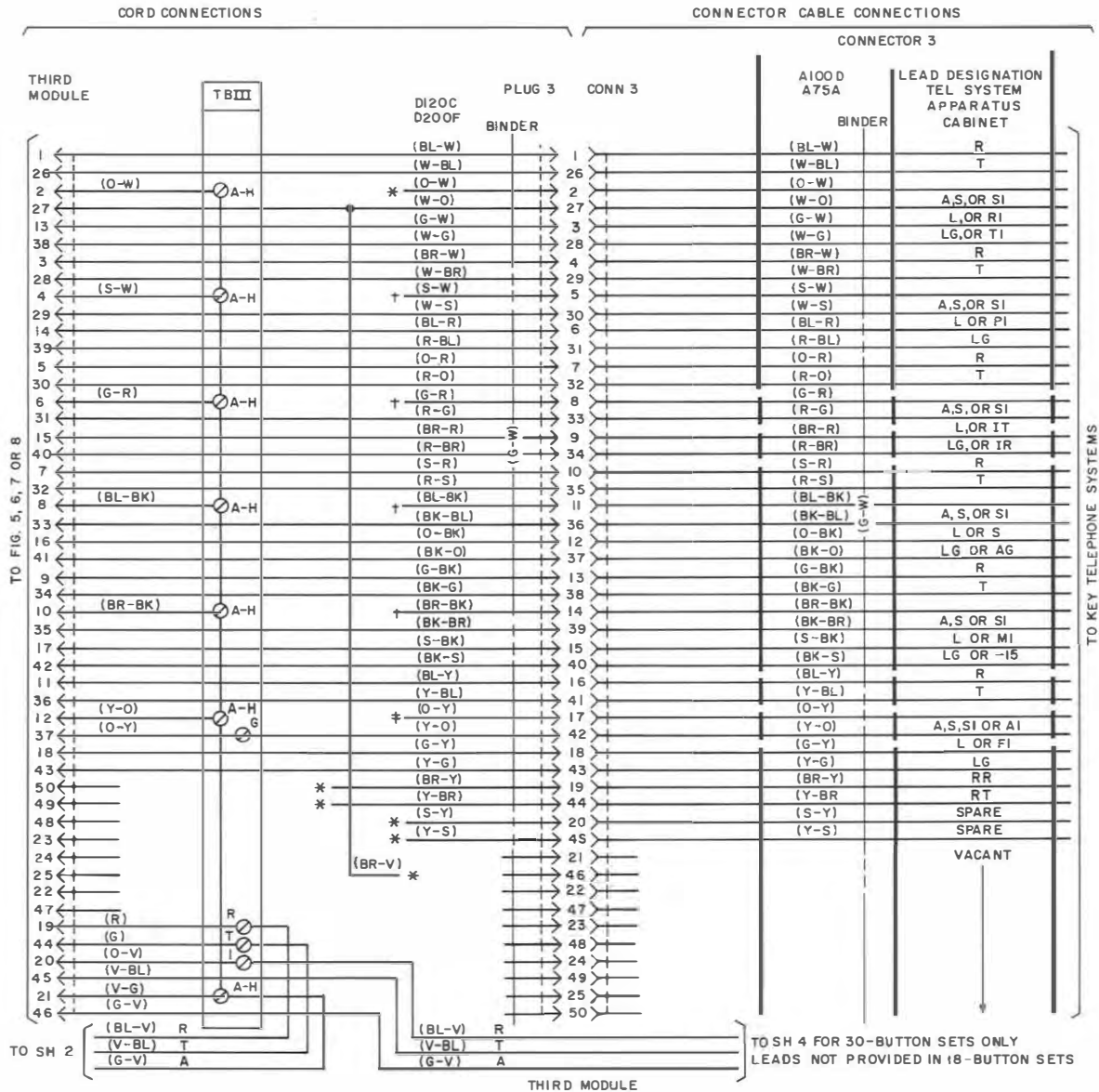


Fig. 2 — Cord and Cable Connections (Sheet 3 of 5)

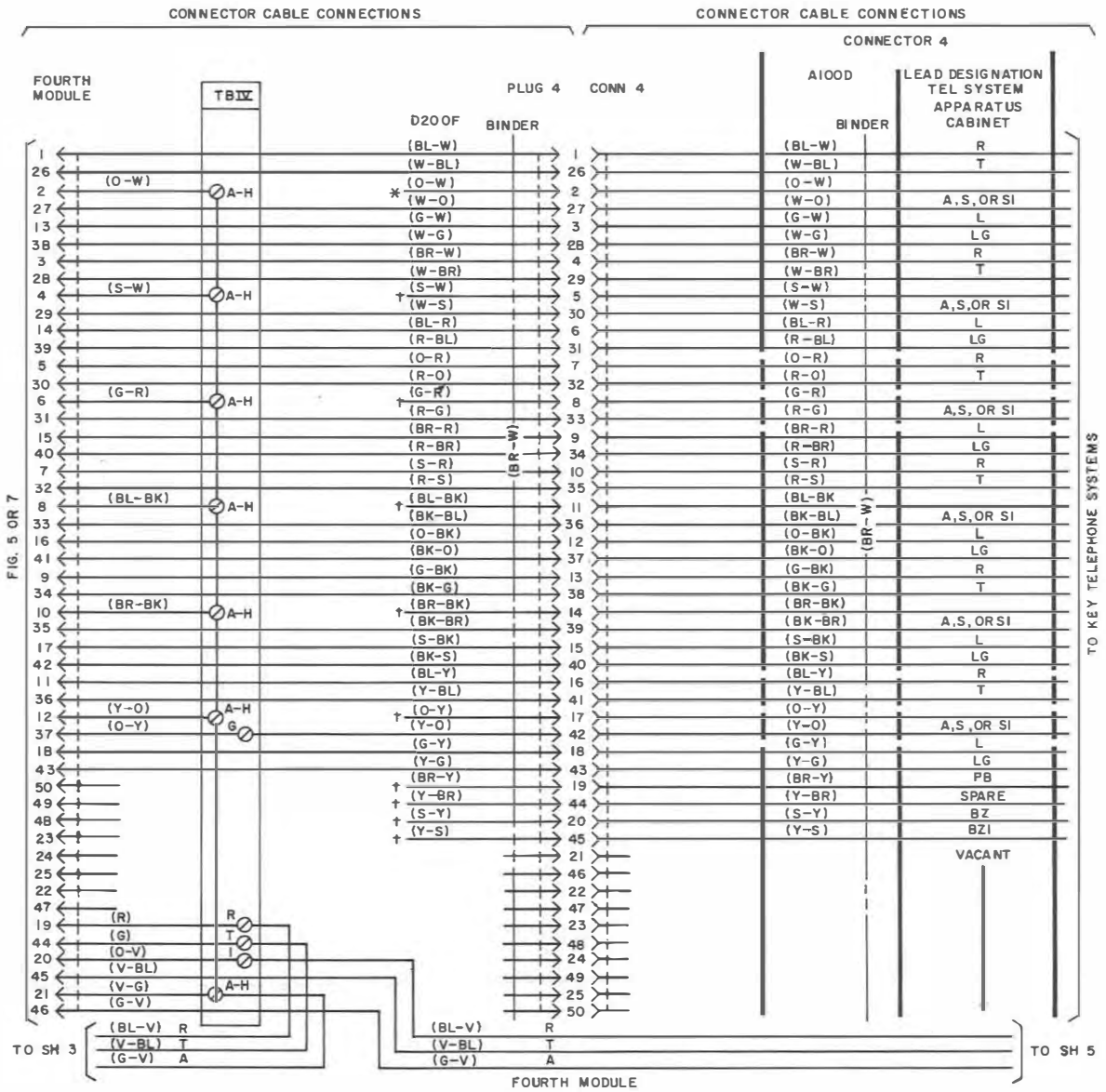
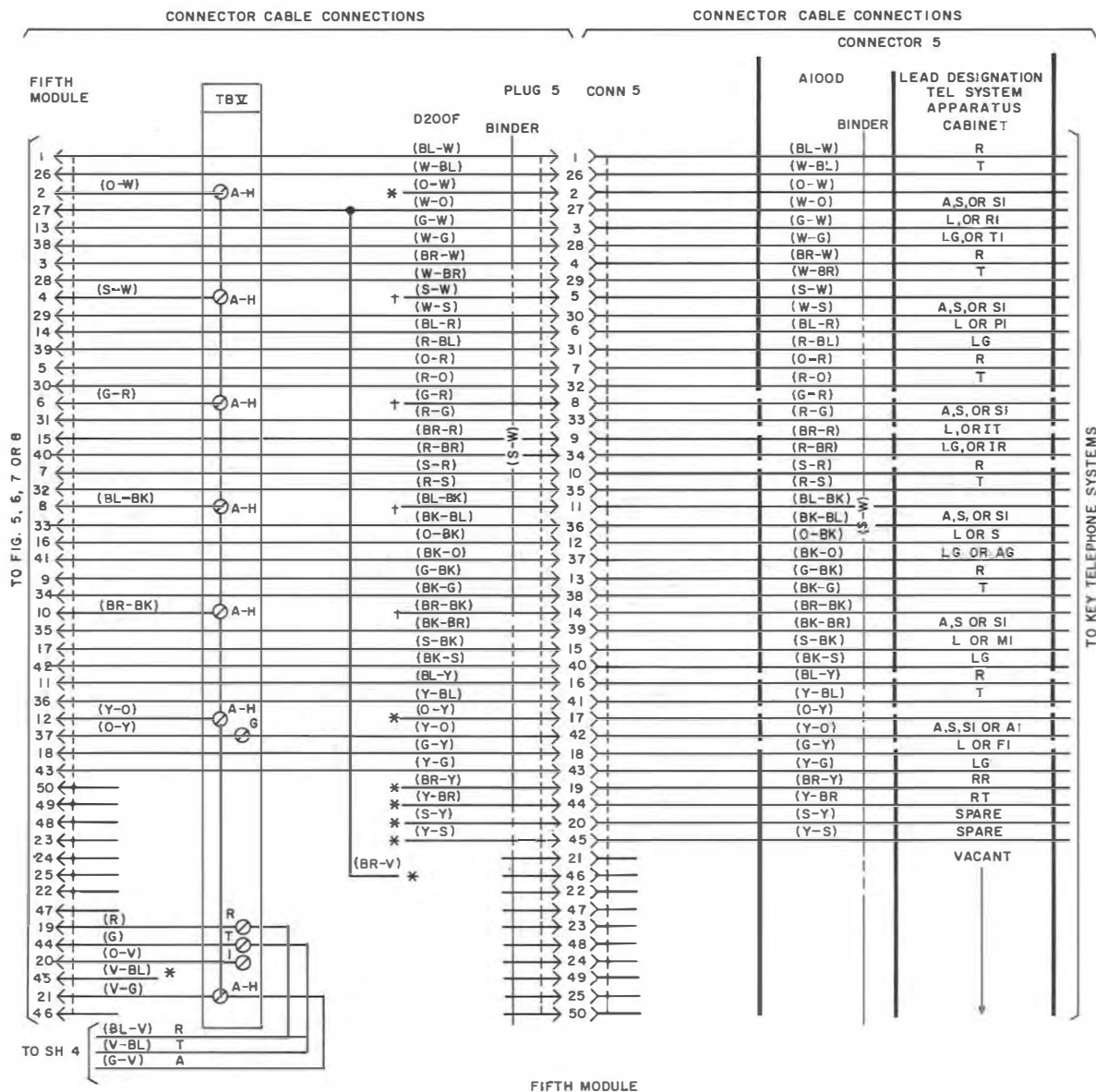


Fig. 2 — Cord and Cable Connections (Sheet 4 of 5)



CIRCUIT SYMBOLS:

- * INDICATES LEADS ARE SPADE TIPPED, INSULATED, AND STORED.
- † INDICATES LEADS ARE DEAD ENDED.
- ‡ INDICATES LEADS ARE SPADE TIPPED, INSULATED, AND STORED IN THIRD MODULE OF 18-BUTTON SETS AND DEAD ENDED IN 30-BUTTON SETS.

NOTES:

1. WHEN SIGNALING KEYS OTHER THAN THE 617A ARE PROVIDED, CONNECT THE SPADE-TIPPED LEADS ASSOCIATED WITH THE CONVERTED PICKUP KEYS TO THE S6 TERMINAL ON TERMINAL BLOCK 6. IF ADDITIONAL TERMINALS ARE REQUIRED, PROVIDE AN MIW STRAP, OR EQUIVALENT, BETWEEN THE C OR S AND S6 TERMINALS ON TERMINAL BLOCK 6.
2. WHEN MORE THAN FIVE PRIVATE AND INTERCOMMUNICATING LINES WITH COMMON SIGNAL KEY ARE REQUIRED PER TELEPHONE SET, AND WHERE THE 617A KEY IS NOT USED, STRAP TOGETHER C TERMINALS OF RESPECTIVE 6-BUTTON KEY UNITS REQUIRING COMMON SIGNALING FEATURE.
3. WITH 598A KEY IN FIRST MODULE CONNECT (Y-O) LEAD TO TB2-3, (S-V) LEAD TO TB1-3, (V-S) LEAD TO TB1-2, THESE SPADE-TIPPED LEADS ARE STORED IN 1ST MODULE. DISCONNECT, INSULATE, AND STORE (V) LEAD CONNECTED TO TB1-2.

Fig. 2 — Cord and Cable Connections (Sheet 5 of 5)

TABLE C
CONNECTIONS FOR 599B KEY (TURN KEY)

FEATURE	5TH AND 6TH PICKUP KEY LEADS						SPADE-TIPPED LEADS IN SET				
	R 5TH G-BK	T 5TH BK-G	A 5TH BK-BR	R 6TH BL-Y	T 6TH Y-BL	A 6TH Y-O	BL-Y	Y-BL	O-Y	Y-O	BR-BK
Cutoff Sta on 1A1 and 1A2 KTS	To Equip.			To Ext Sta			Insulate and Store		TBI G	Insulate and Store	
Cutoff Sta on 4-Wire Line (Aux Relay Required)	To Equip. GRD	To Equip. Aux Rel				Insulate and Store	Insulate and Store			TBI G	TBI G
Cutoff Ext Ring. or Buz	To Equip.			To Ext Ring. or Buz			Insulate and Store				
Cutoff Bell in Set	To Equip.			*	*		TBI† 12	Net A	Insulate and Store		
Cutoff Buz in Set	To Equip.			*	*		D A Cap.	C C C	Insulate and Store		
Monitoring	To Mon Equip.						R TBI	T TBI			

* Insulate and store BL-Y and Y-BL leads at the equipment when spade-tipped leads are used in set.

† Insulate and store BZ and BZ1 leads from TB1.

TABLE D
CONNECTIONS FOR 667B TRANSMITTER

667B TRANSMITTER	TB1 FIG. 1
G-Y	2
Y-G	6
Y-BL	3
BL-Y	4
Y-O	5
O-V	1
O-Y	19

Note: When speakerphone is provided disconnect, insulate, and store (S-V) and (V-S) key leads from terminals 2 and 6 of TB1.

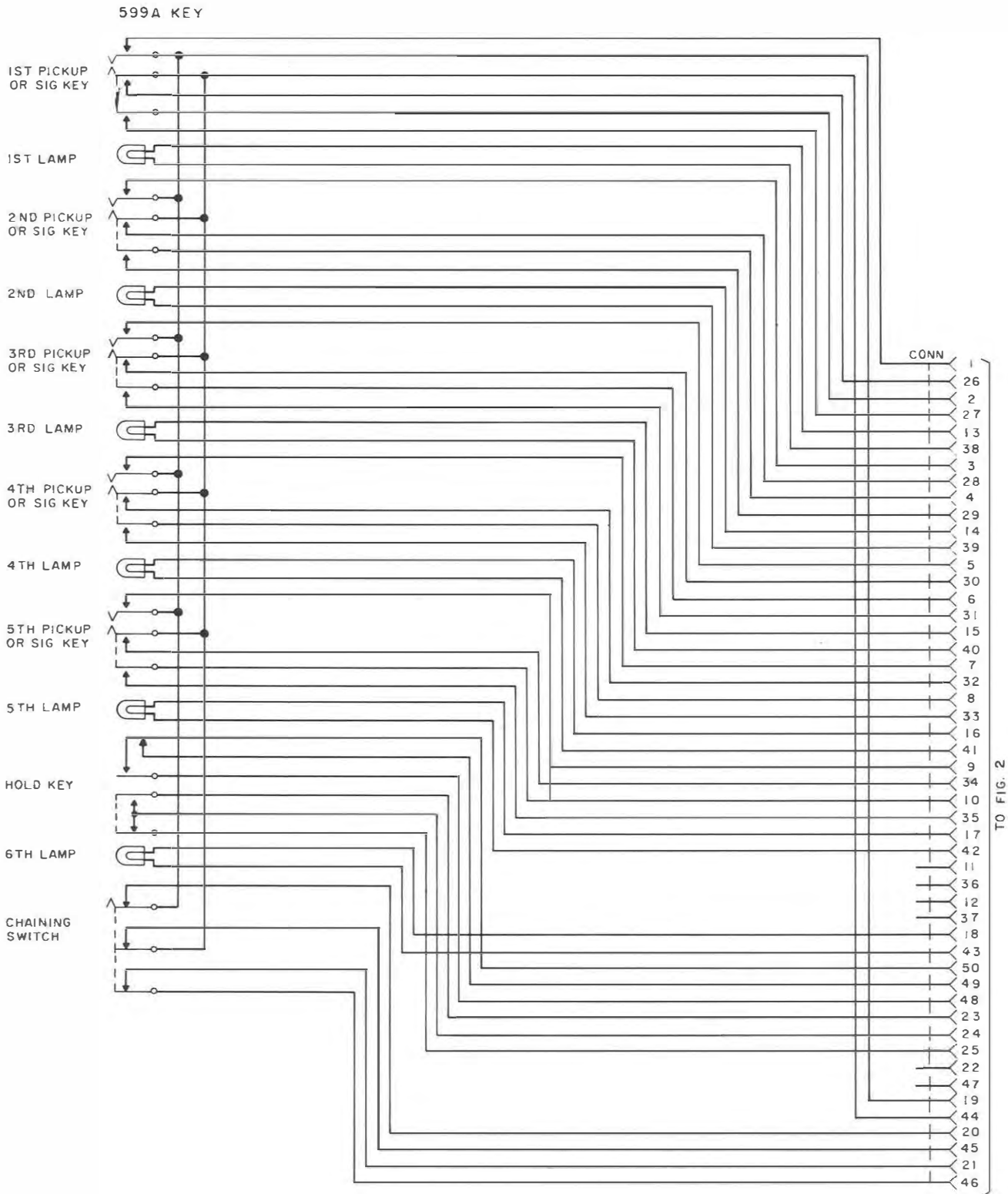


Fig. 3 - 599A Key

599B KEY

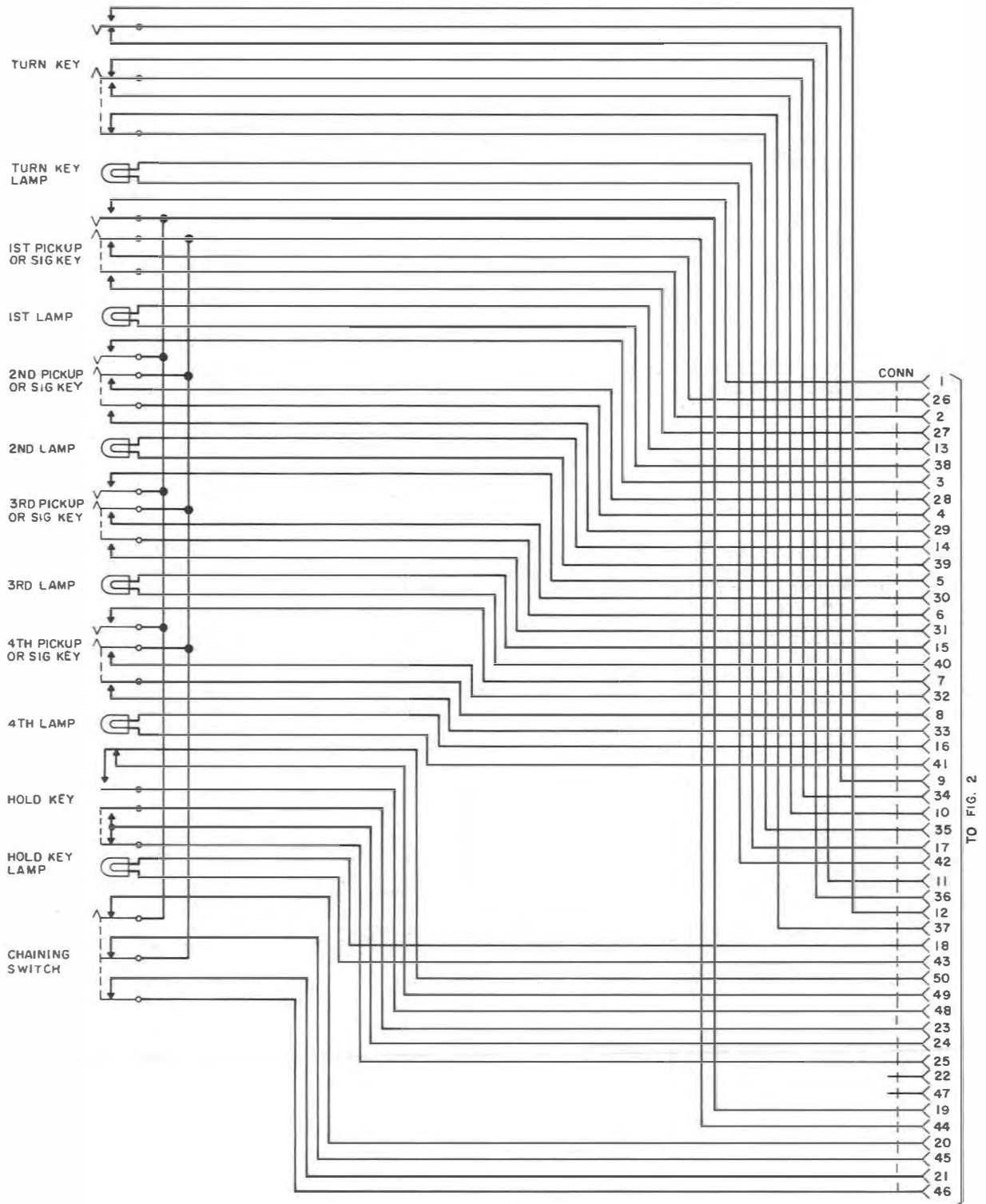


Fig. 4 - 599B Key

SECTION 529-226-484

598A KEY

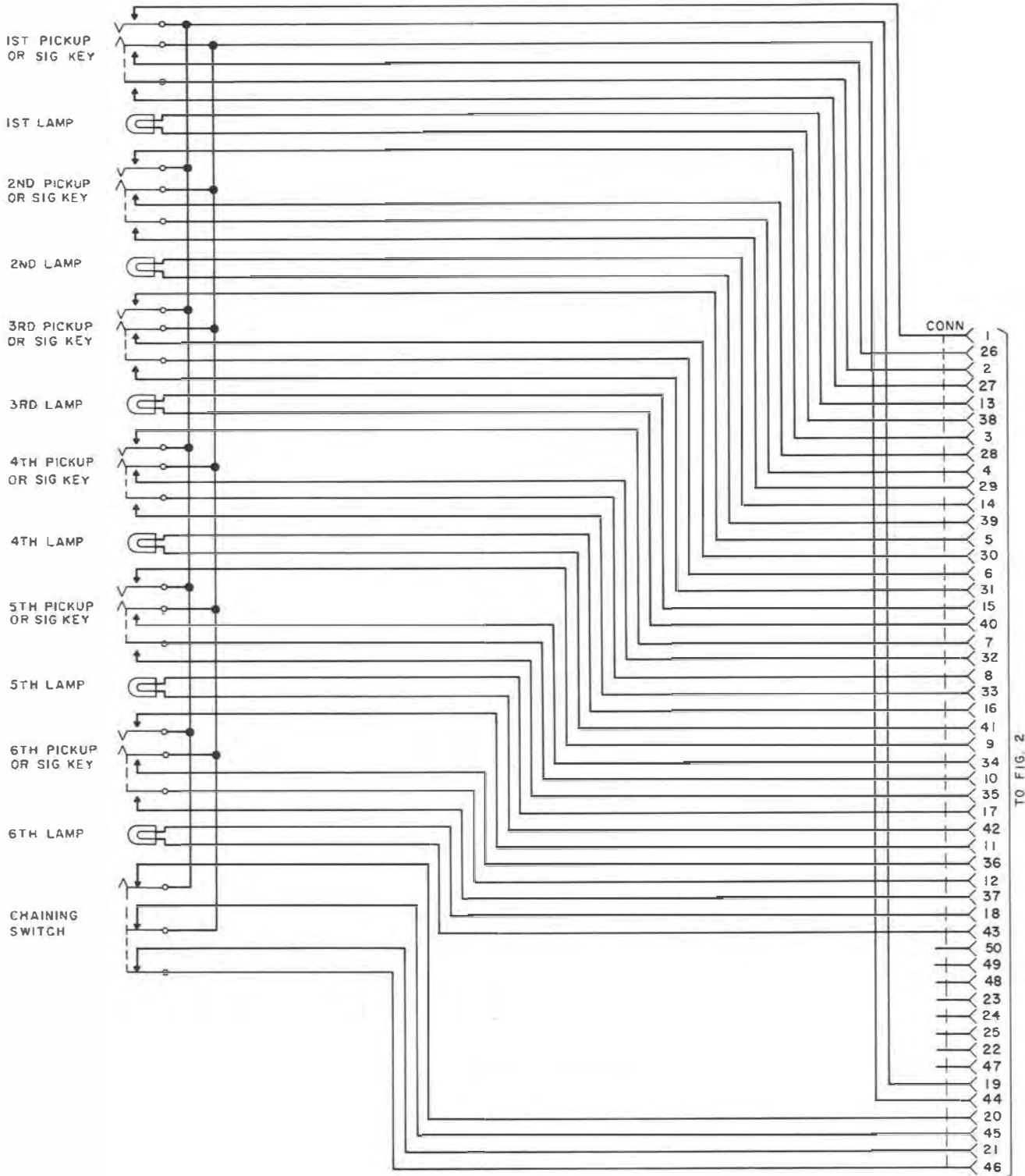
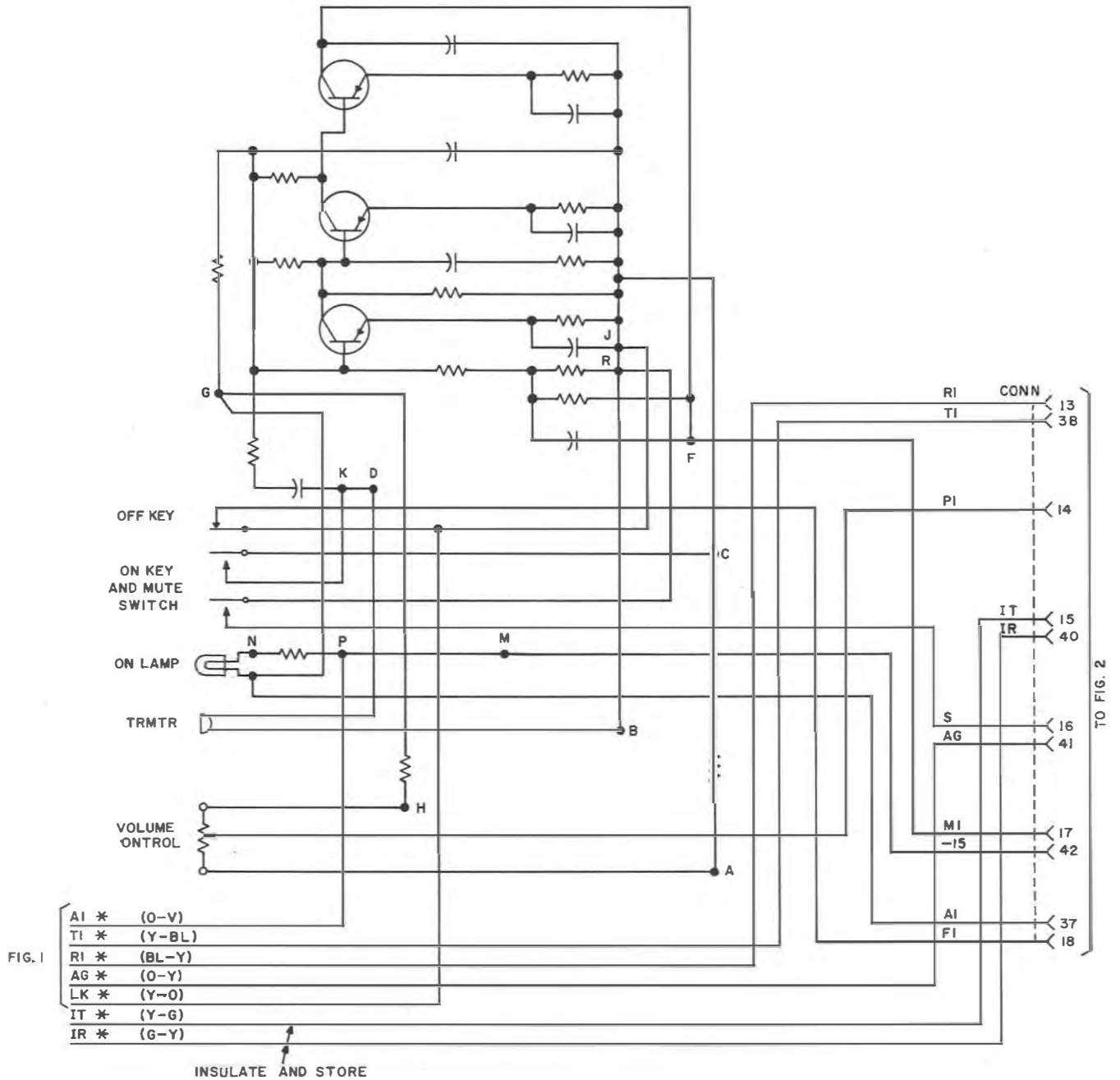


Fig. 5 — 598A Key

667B
TRANSMITTER



* LEADS ARE SPADE TIPPED AND OF SUFFICIENT LENGTH TO REACH TB1 WHEN TRANSMITTER MODULE IS IN THE 5TH KEY POSITION OF 2685A-TYPE TELEPHONE SET.

Fig. 6 - 667B Transmitter

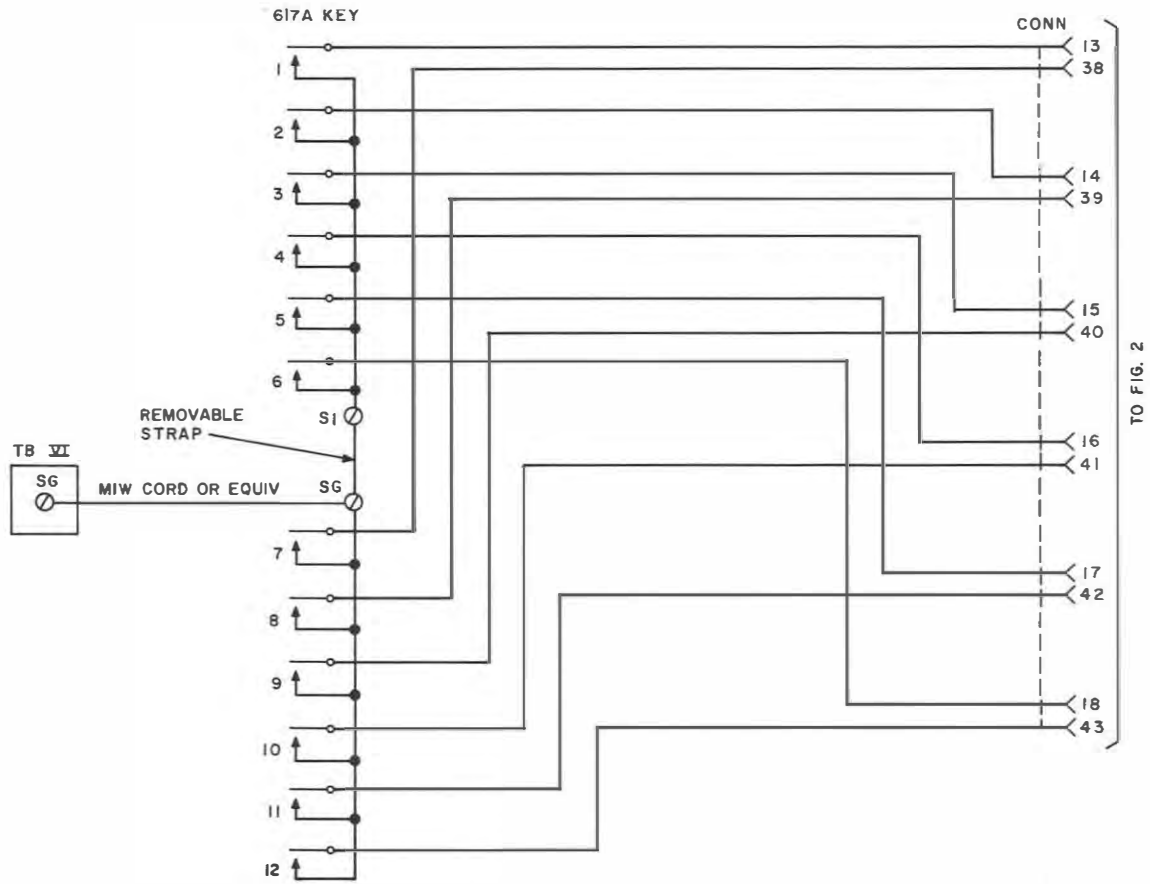


Fig. 7 — 617A Key

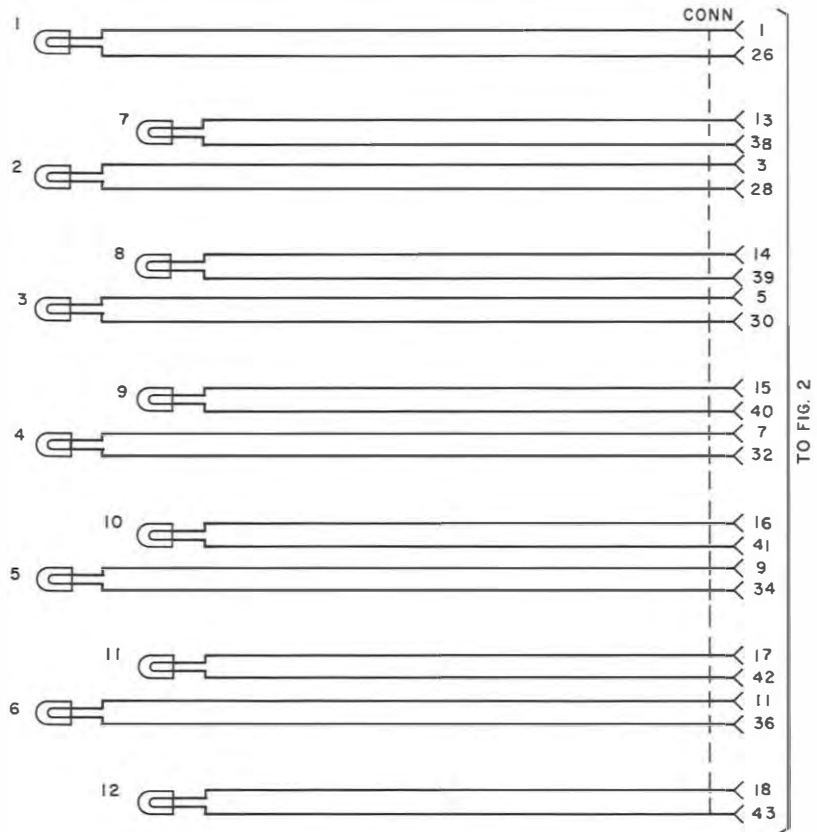


Fig. 8 — 59A Lamp Socket (Use 51A Lamps)