

TELEPHONE SETS

USED WITH 750A AND 755A DIAL PBX — CONNECTIONS

1.00 GENERAL

1.01 This section covers the connection diagrams of:

- 462AC, 466AC, and 566FB telephone sets used with 755A dial PBX (see Fig. 1, 3, 4, and 5).
- 566MB telephone set used with 750A and 755A dial PBXs (see Fig. 2, 6, and 7).
- 6040D illuminated button key associated with a 502B or equivalent telephone set used with 755A dial PBX (see Fig. 8).

1.02 Due to extensive changes marginal arrows have been omitted.

1.03 The connection diagram (Fig. 7) has been provided to show how a 566MB telephone set can be modified to work with a 750A dial PBX.

The need for this may arise from:

- Plant rearrangements placing PBX in transmission zone 5.
- Customers desiring color telephone sets, speakerphone service, or illuminated key buttons.

2.00 CONNECTIONS

2.01 The ringing bridge is high impedance with limitations as shown in Table A.

TABLE A
RINGER LIMITATIONS

	Station	Maximum Ringers
Key or Keyless	Conference	2
	Nonconference	4

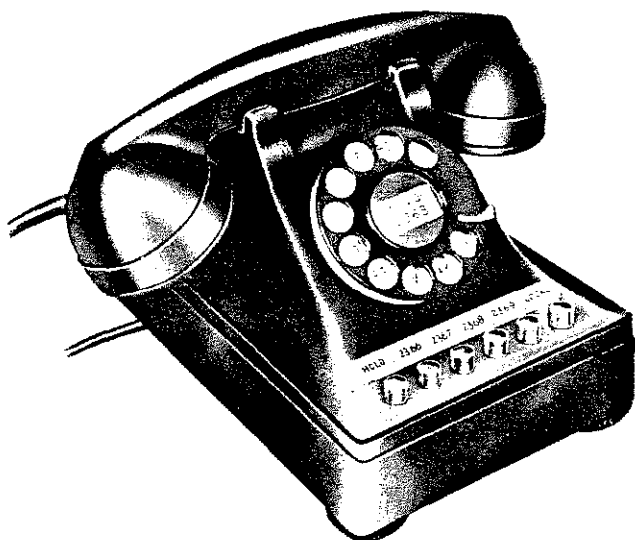


Fig. 1 — 462AC Telephone Set
(Nonilluminated)



Fig. 2 — 566MB Telephone Set
(Illuminated)

SECTION C38.851

2.02 The cord conductors within the set shall be arranged to avoid interference with moving parts.

2.03 The 566MB telephone set used with the 750A dial PBX (Fig. 7) must be modified in the field by moving the:

- S-G lead from terminal M to terminal L2.
- O-BK lead from terminal L1 to terminal L2.

2.04 A KS-14603, List 1C resistor (294 ohms) must be connected as shown in Fig. 7 to ensure operation of the marginal relay in the holding circuit of the 750A dial PBX.

2.05 Connections of the 6040D key are shown in Fig. 8. Where a mounting cord is not required, the cable is brought directly into the key. Dotted lines indicate connections to be made when the cord is not used.

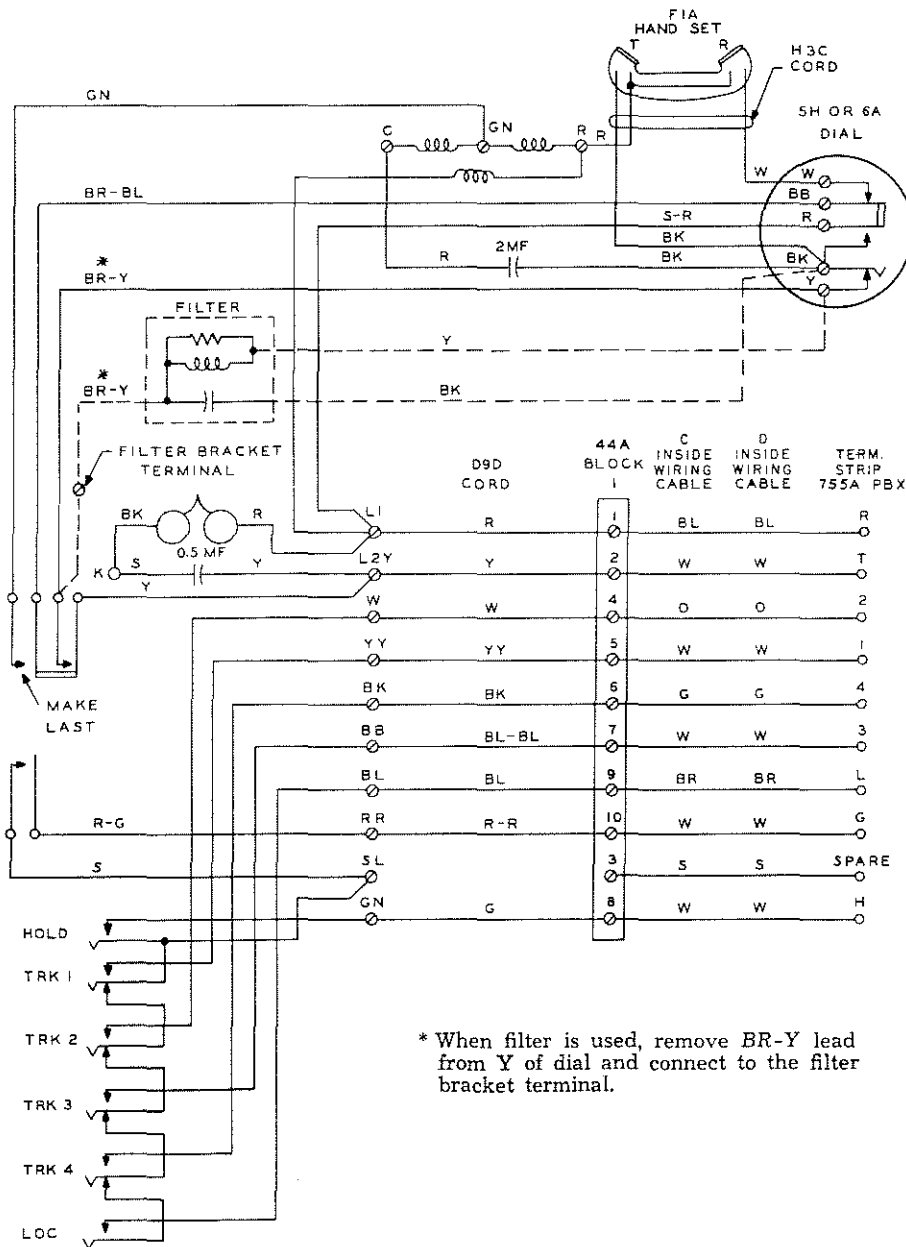
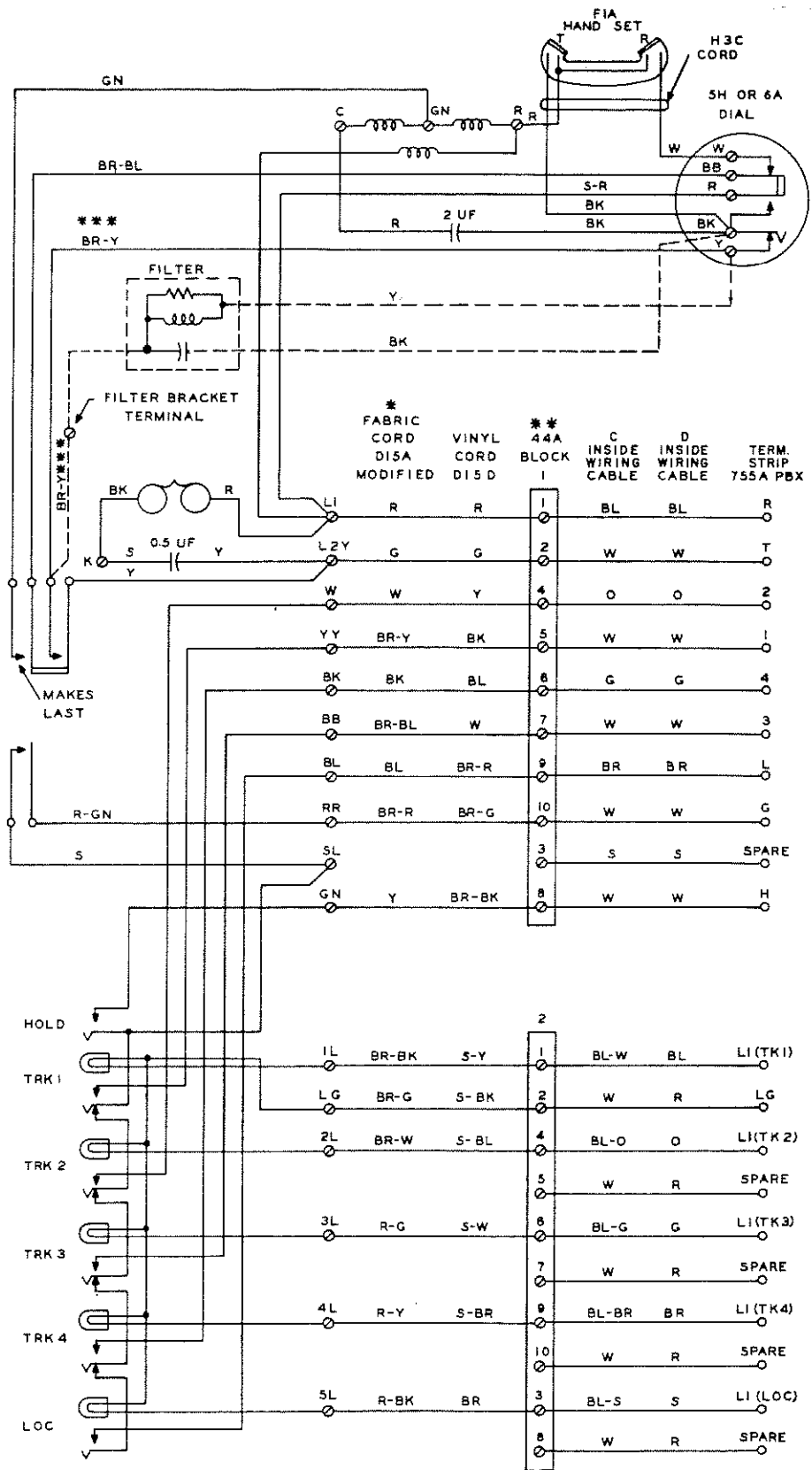


Fig. 3 — 462AC Telephone Set (Nonilluminated) Connection Diagram



* Cord modified by moving stay-hook band, at connecting block end, back 4 inches.

** Connecting block 1 is block nearest cord butt.

*** When filter is used, remove BR-Y from Y of dial and connect to filter bracket terminal.

Fig. 4 - 466AC Telephone Set (Illuminated) Connection Diagram

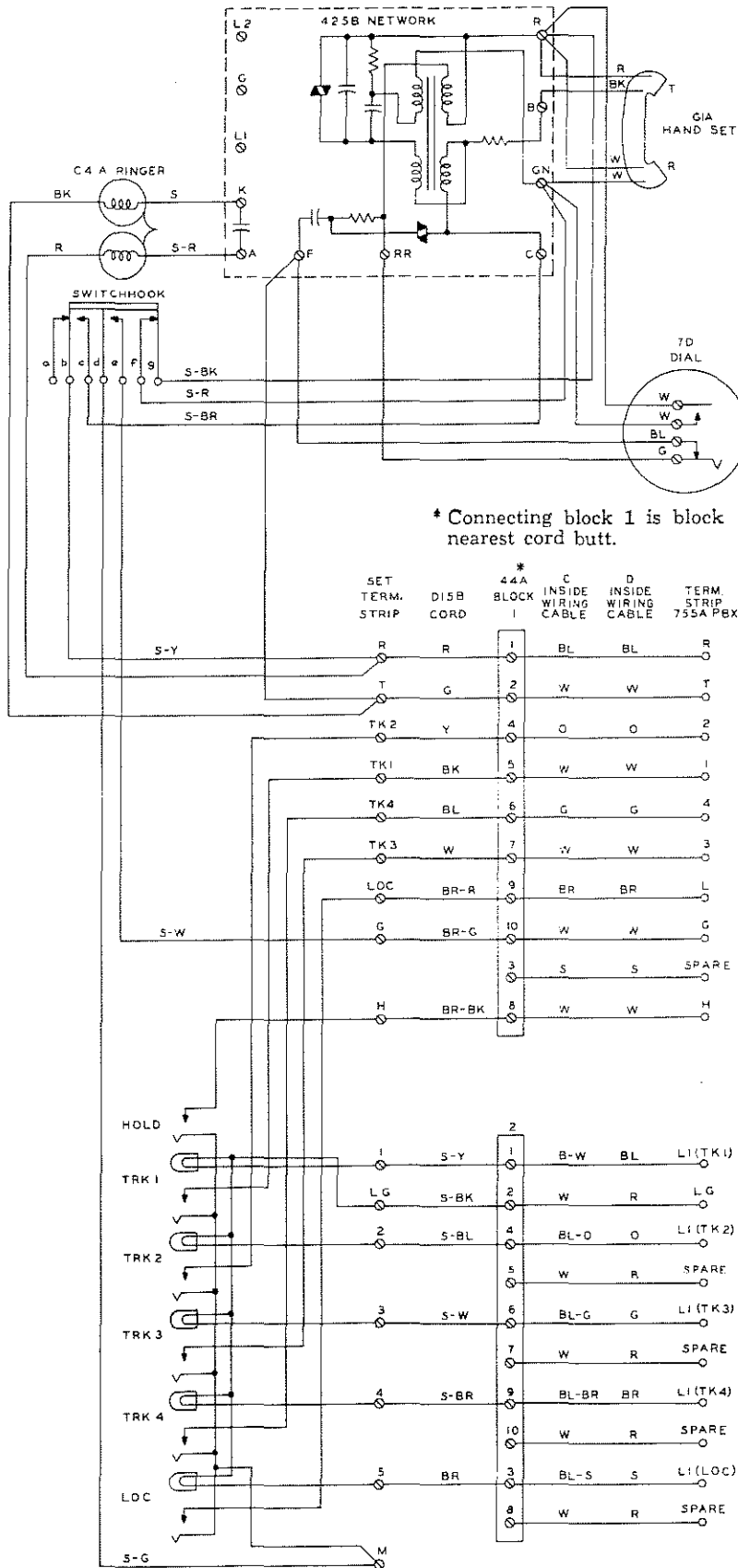


Fig. 5 — 566FB Telephone Set (Illuminated) Connection Diagram

CONNECTION NOTES

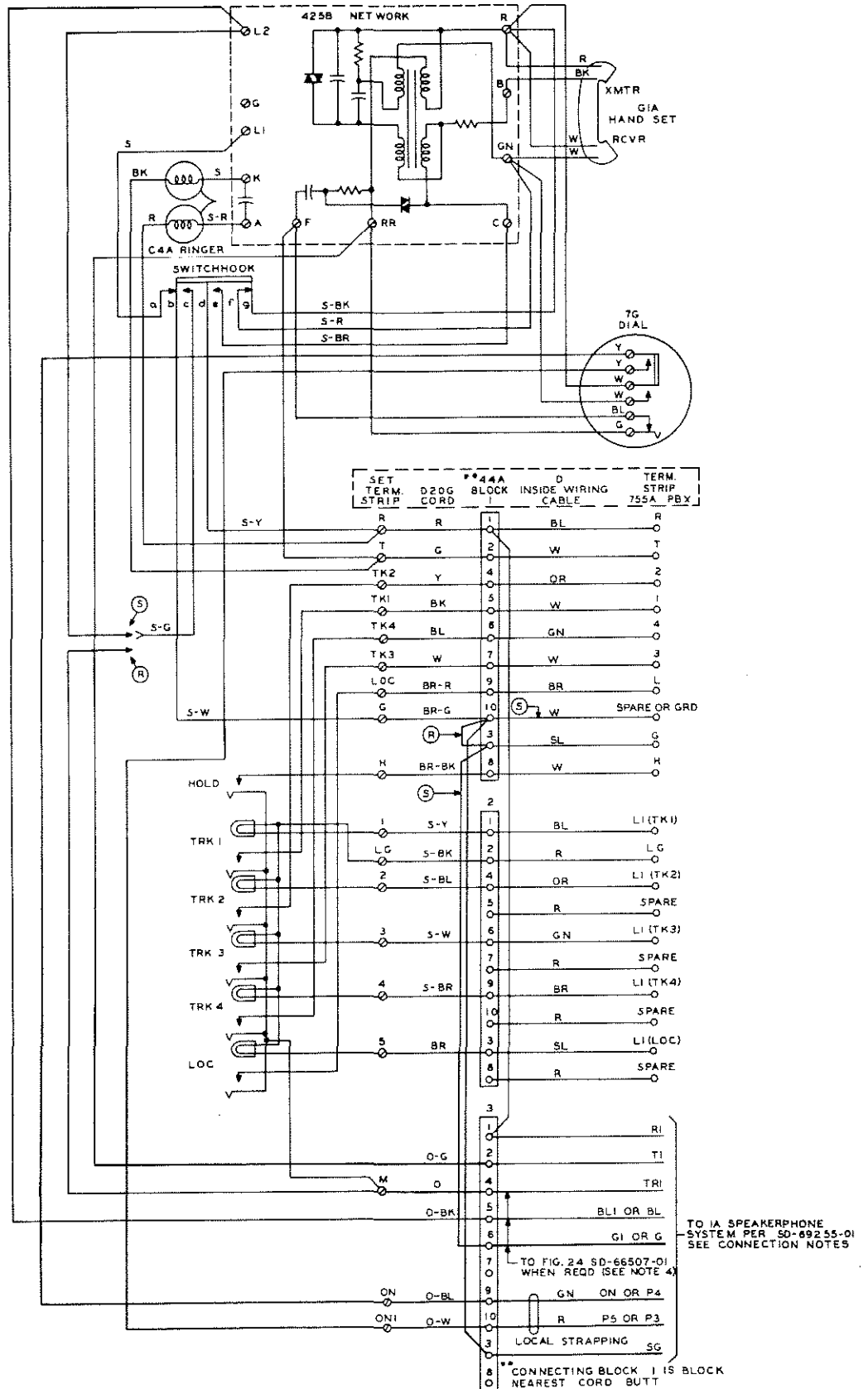
Note 1: Use R option when neither speakerphone nor busy lamps are required.

Note 2: Use S option when busy lamps are required or when speakerphone is required or when both are used.

Note 3: When speakerphone or busy lamps are not used, omit connecting block 3 and straps to connecting block 1. Dress cord conductors normally on block 3 in back of blocks 1 and 2.

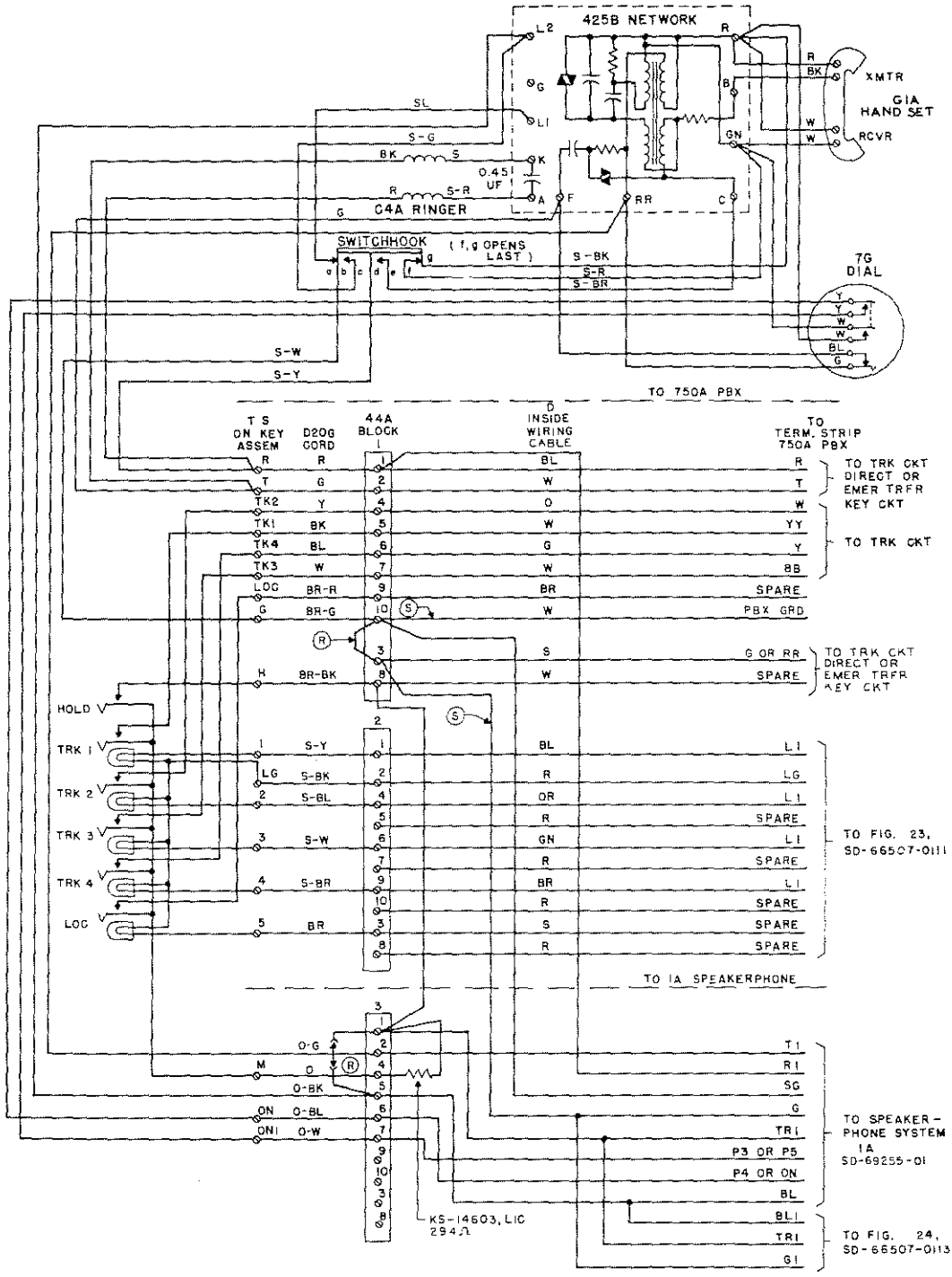
Note 4: When a station busy lamp only is required, without a speakerphone system, use Fig. 24 of SD-66507-01 as the busy lamp control circuit.

Note 5: When the speakerphone system is used, whether the busy lamp is provided or not provided, auxiliary relay circuit per SD-69255-01 is required.



**Fig. 6 — 566MB Telephone Set (Illuminated) Connection Diagram
Used with 755A Dial PBX**

SECTION C38.851



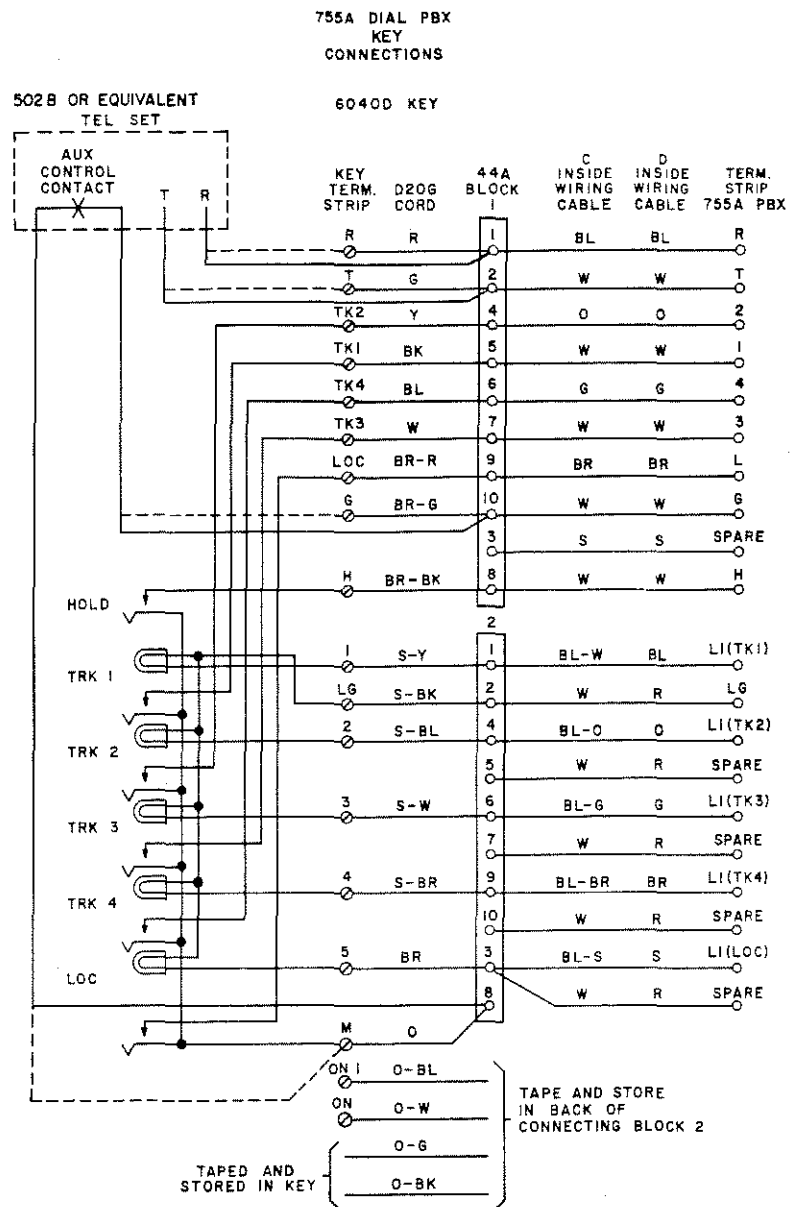
Note 1: Use R wiring when busy lamps are not required.

Note 2: Use S wiring when speakerphone is required or when busy lamps are required, or both.

Note 3: Diagram shows necessary set modifications already made.

- (a) S-G lead moved from terminal strip terminal M to terminal L2 of 425B network.
- (b) O-BK lead moved from terminal L1 and connected to terminal L2 of 425B network.
- (c) KS-14603, List 1C resistor (294 ohms) connected to terminals 1 and 4 of 44A connecting block 3.

Fig. 7 - 566MB Telephone Set (Illuminated) Connection Diagram
Used with 750A Dial PBX



Note: Dotted wiring indicates telephone set connections when cord is not used to connect key to key cable.

Fig. 8 — 6040D Key (Illuminated) Connection Diagram

Handwritten mark or signature

Handwritten mark or signature

Handwritten mark or signature

Handwritten mark or signature

Handwritten mark or signature

Handwritten mark or signature