

SERVICE

2554B, 2554BM, 2554BMP, AND 2554BMPG TELEPHONE SETS

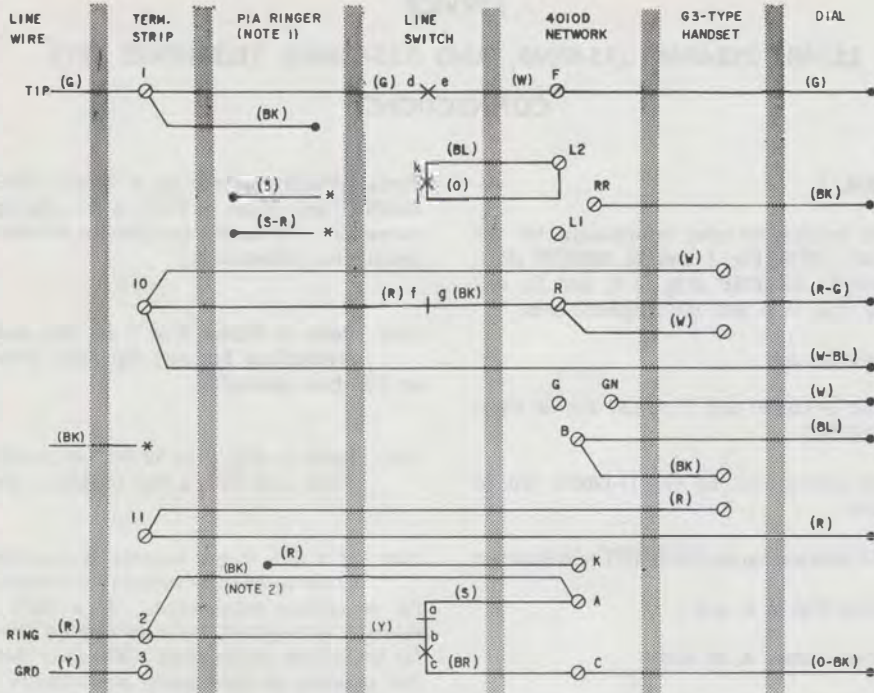
CONNECTIONS

1. GENERAL

- 1.01** This section contains information for the 2554B (MD) (Fig. 1 and 2), 2554BM (MD) (Fig. 3 and 4), 2554BMP (Fig. 5, 6, and 7), and 2554BMPG (Fig. 8, 9, and 10) telephone sets.
- 1.02** Resissued to:
- Show D-180190 and D-180547 Kit of Parts rated MD
 - Add information on the D-180896 Kit of Parts
 - Add information on 2554BMPG telephone set
 - Revise Fig. 5, 6, and 7
 - Revise Tables A, B, and C
- 1.03** When end-to-end signaling is provided, install a 2554BMPG set or add a D-180896 Kit of
- Parts (polarity guard) to a 2554B, 2554BM, or 2554BMP set. Refer to Table A for polarity guard connection information and Section 502-503-101 for installation information.
- 1.04** Refer to Tables B or C for line and ringer connections for sets equipped with 4010D or 4228-type network.
- 1.05** Refer to Fig. 7 or 10 for set modifications when used with a key telephone system.
- 1.06** If a 28A ringer isolator is required, refer to the appropriate table in Section 501-375-101 for connection information. If a 603A ringing extender is required, refer to Section 501-380-102 for connection information. Whenever four party full selective or eight party semiselective ringing is required, refer to Section 501-320-100 for D-180697 Kit of Parts information.

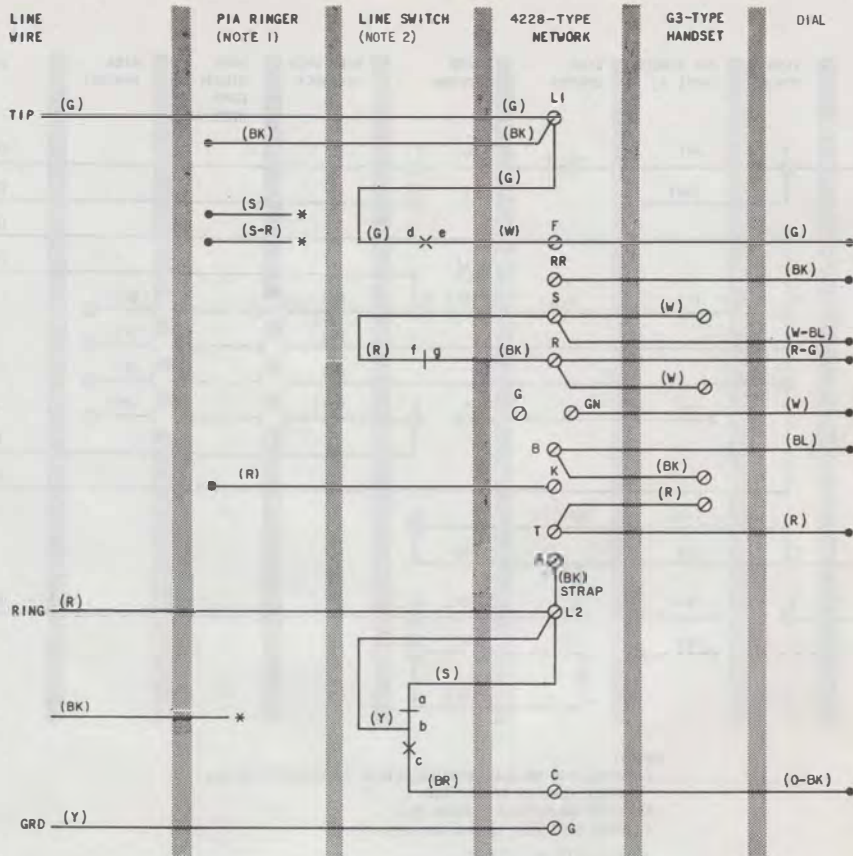
NOTICE

Not for use or disclosure outside the
Bell System except under written agreement



- NOTES:
1. WIRED FOR BRIDGED RINGING, REFER TO TABLE B FOR ALL OTHER CLASSES OF SERVICE.
 2. STRAP ON CURRENT VERSION ONLY.
- * INSULATED AND STORED

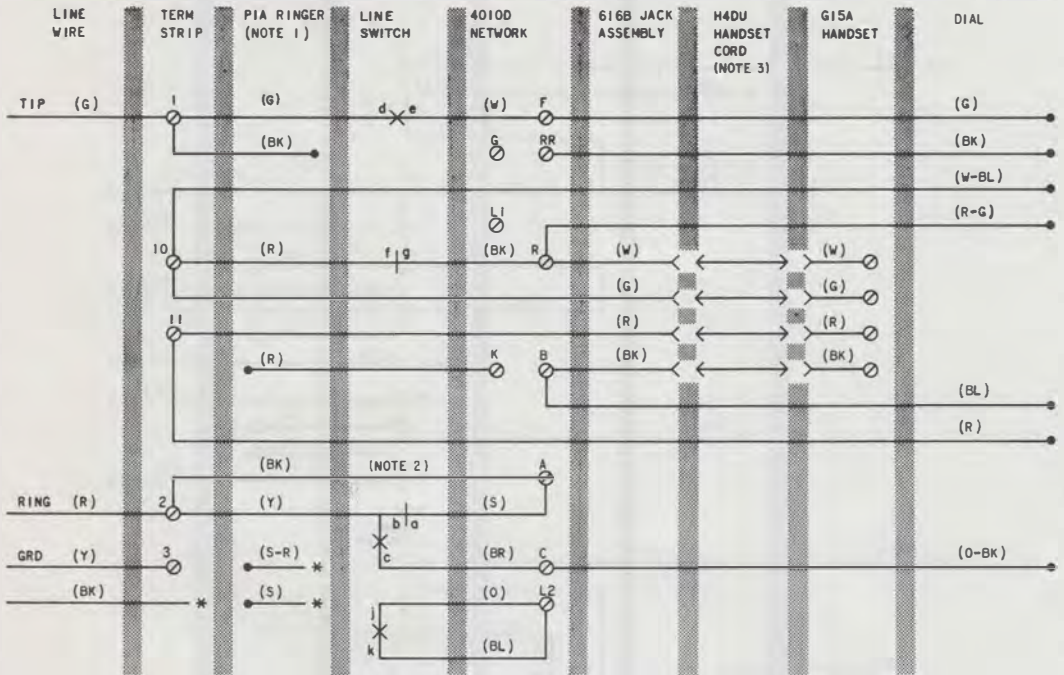
Fig. 1—2554B(MD) Telephone Set Equipped with 4010D Network Connections



NOTES:

1. WIRED FOR BRIDGED RINGING, REFER TO TABLE C FOR ALL OTHER CLASSES OF SERVICE.
 2. ON SOME SETS (S) LINE SWITCH LEAD IS CONNECTED TO A OF NETWORK.
- * INSULATED AND STORED.

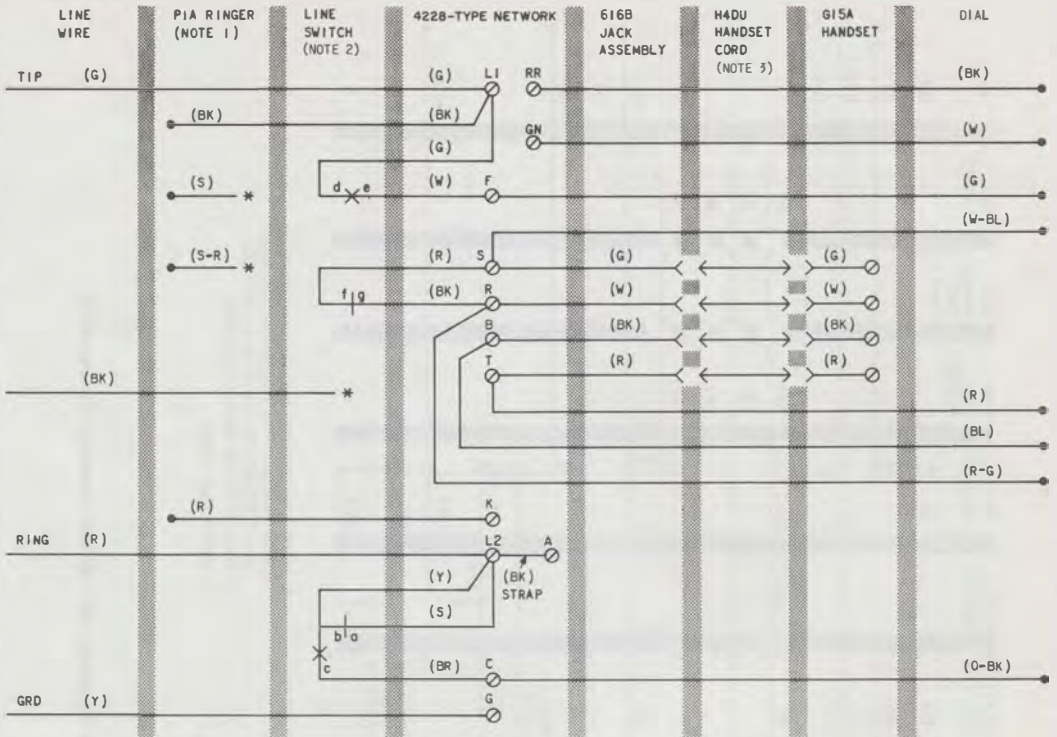
Fig. 2—2554B(MD) Telephone Set Equipped with 4228K Network, Connections



NOTES:

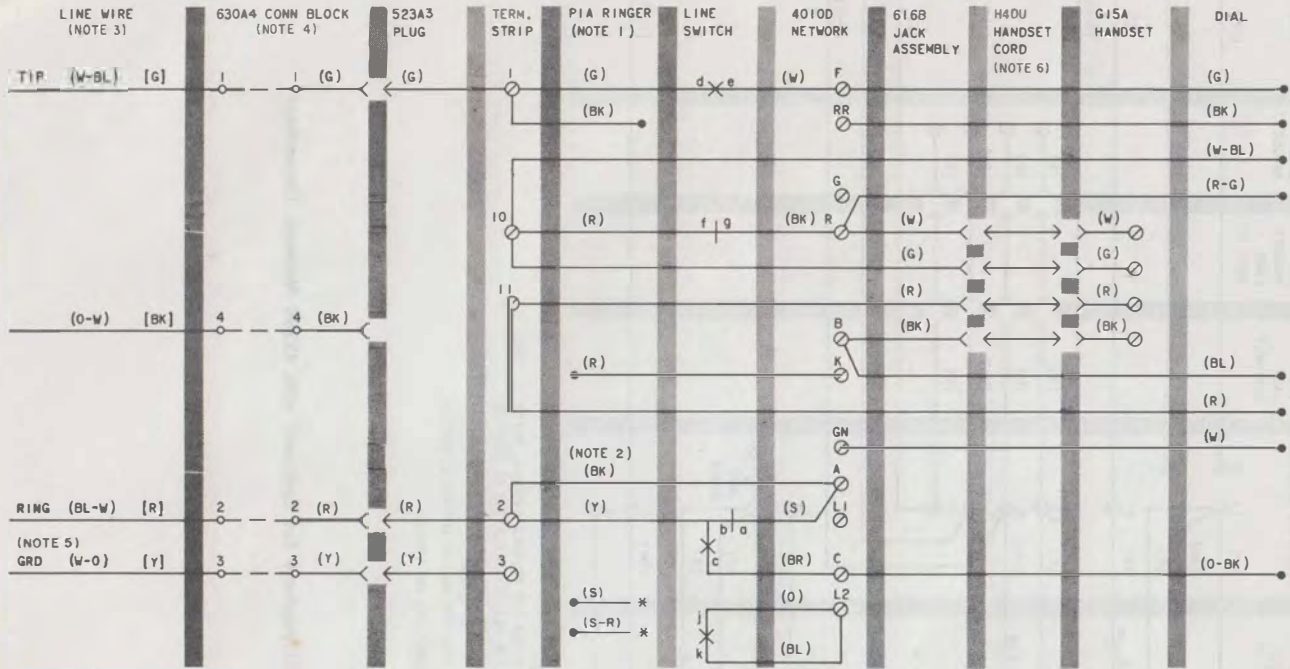
1. WIRED FOR BRIDGED RINGING, REFER TO TABLE B FOR ALL OTHER CLASSES OF SERVICE.
 2. STRAP ON CURRENT VERSION ONLY.
 3. H4DU CORD MUST BE ORDERED SEPARATELY.
- * INSULATED AND STORED

Fig. 3—2554BM(MD) Telephone Set Equipped with 4010D Network, Connections



- NOTES:
1. WIRED FOR BRIDGED RINGING, REFER TO TABLE C FOR ALL OTHER CLASSES OF SERVICE.
 2. ON SOME SETS (S) LINE SWITCH LEAD IS CONNECTED TO A OF NETWORK.
 3. H4DU CORD MUST BE ORDERED SEPARATELY.
- * INSULATED AND STORED.

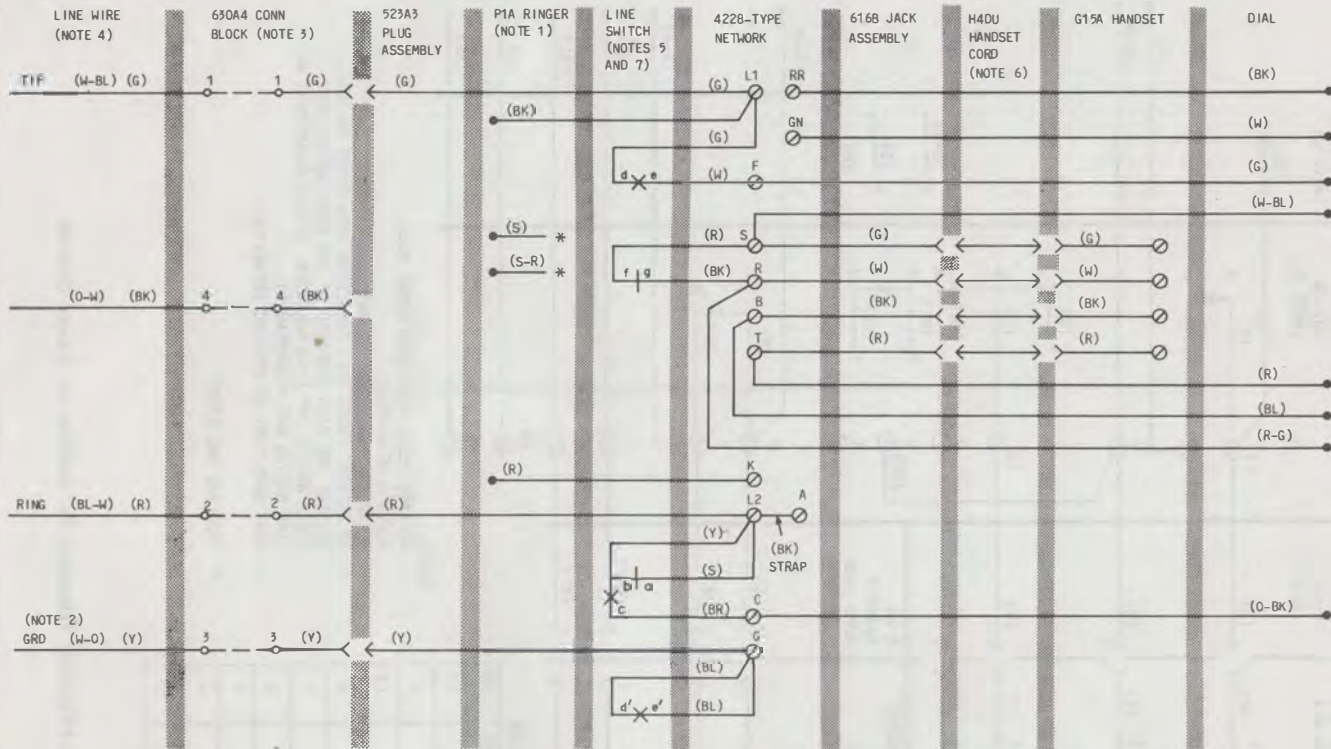
Fig. 4—2554BM(MD)Telephone Set Equipped with 4228K Network, Connections



NOTES:

1. WIRED FOR BRIDGED RINGING, REFER TO TABLE B FOR ALL OTHER CLASSES OF SERVICE.
 2. STRAP ON CURRENT VERSION ONLY.
 3. () INSIDE WIRE COLOR CODE
[] D-STATION WIRE COLOR CODE
 4. QUICK CONNECT TERMINALS ON 630A4 CONN BLOCK.
 5. INSIDE WIRE CONDUCTOR SHALL BE CONNECTED TO THE GROUND TERMINAL AT THE PROTECTOR OR EQUIVALENT ONLY IF REQUIRED FOR SERVICE BEING INSTALLED.
 6. H40U CORD MUST BE ORDERED SEPARATELY.
- * INSULATED AND STORED

Fig. 5—2554BMP Telephone Set Equipped with 4010D Network, Connections

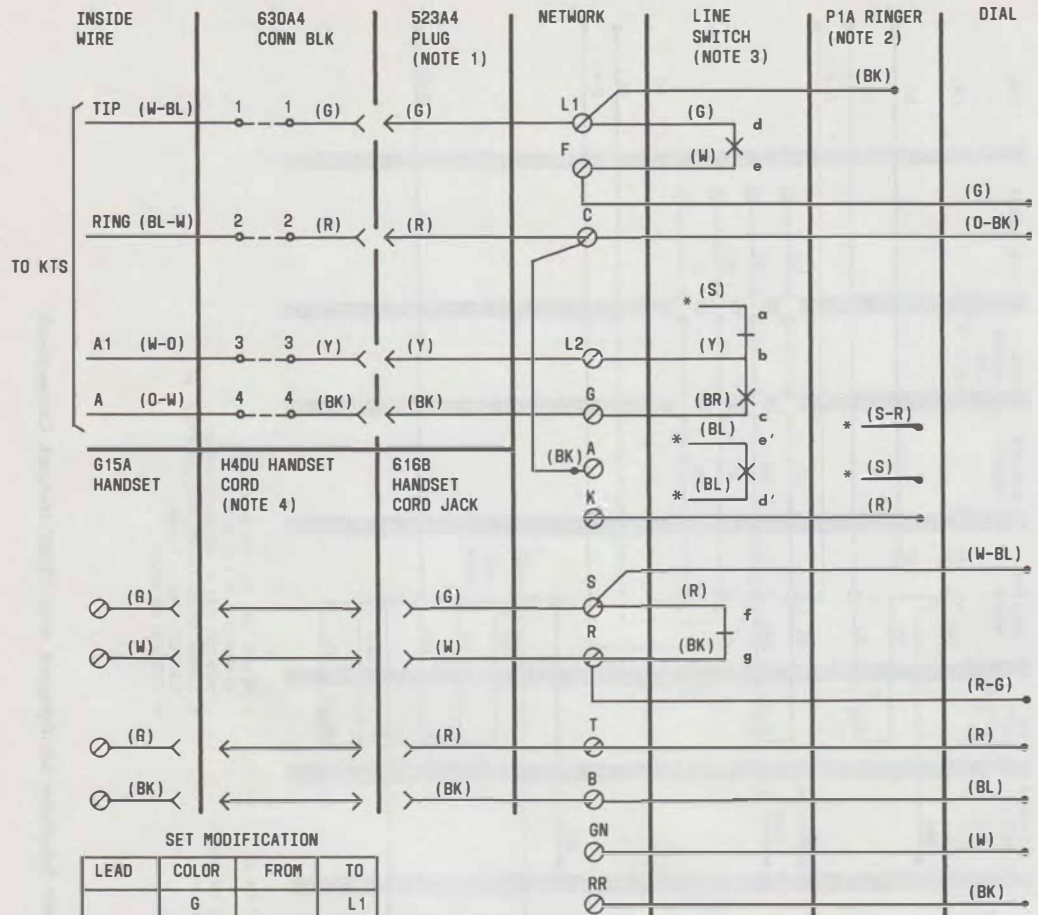


NOTES:

1. WIRED FOR BRIDGED RINGING, REFER TO TABLE C FOR ALL OTHER CLASSES OF SERVICE.
2. INSIDE WIRE CONDUCTOR SHALL BE CONNECTED TO THE GROUND TERMINAL AT THE PROTECTOR OR EQUIVALENT ONLY IF REQUIRED FOR SERVICE BEING INSTALLED.
3. QUICK CONNECT TERMINALS ON 630A4 CONN BLOCK.
4. () INSIDE WIRE COLOR CODE
[] D-STATION WIRE COLOR CODE

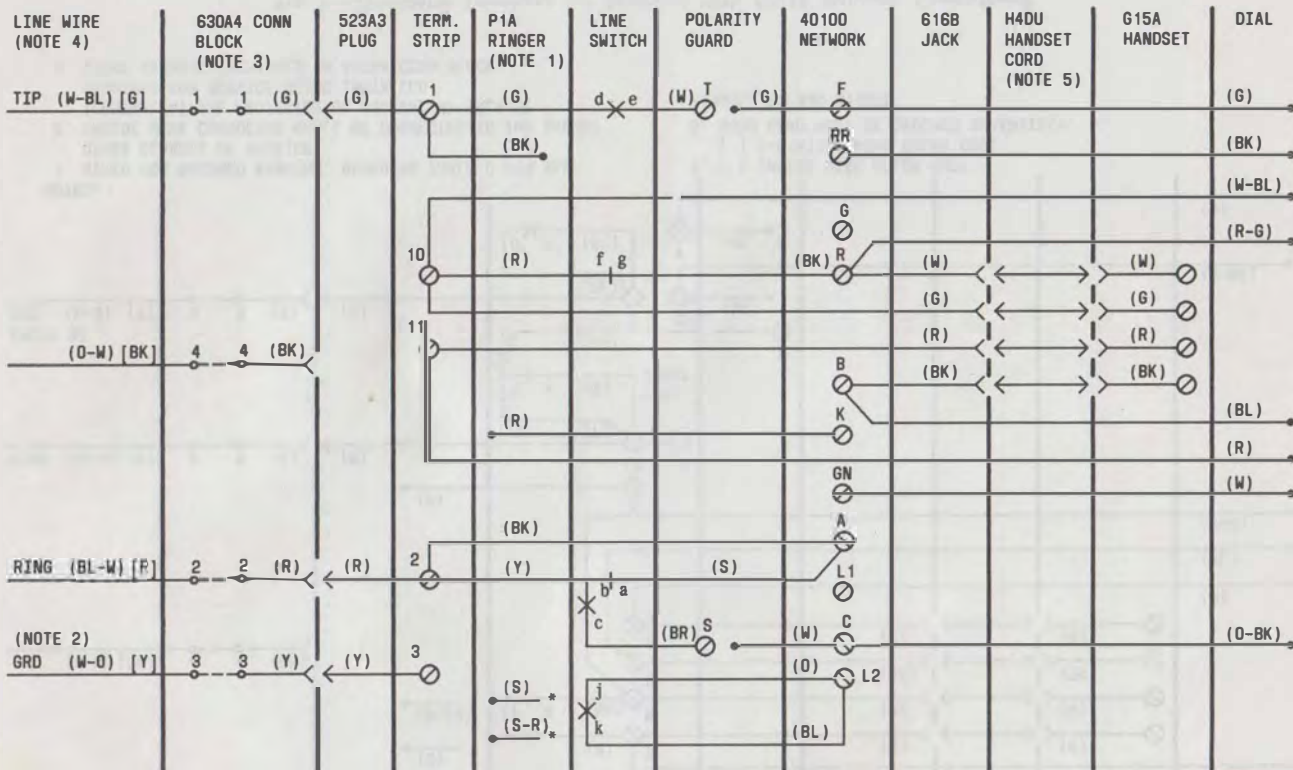
5. ON SOME SETS (S) LINE SWITCH LEAD IS CONNECTED TO A OF NETWORK.
 6. H4DU CORD MUST BE ORDERED SEPARATELY.
 7. CURRENT PRODUCTION SETS HAVE CONTACTS d' - e' AND ASSOCIATED (BL) LEADS.
- * INSULATED AND STORED

Fig. 6—2554BMP Telephone Set Equipped with 4228K Network Connections



- NOTES:
1. REPLACE 523A3 PLUG WITH 523A4 PLUG, ORDERED SEPARATELY.
 2. WIRED FOR INDIVIDUAL OR BRIDGED RINGING.
 3. TO PREVENT FALSE HOLD CONDITION WHEN GOING ON-HOOK, THE TIP AND RING CONTACTS OF THE LINE SWITCH MUST BREAK BEFORE "A" LEAD CONTACTS. (FIELD ADJUSTMENT OF LINE SWITCH NOT RECOMMENDED).
 4. H4DU CORD MUST BE ORDERED SEPARATELY.
- * INSULATE AND STORE

Fig. 7—2554BMP Telephone Set Modified for A-Lead Control



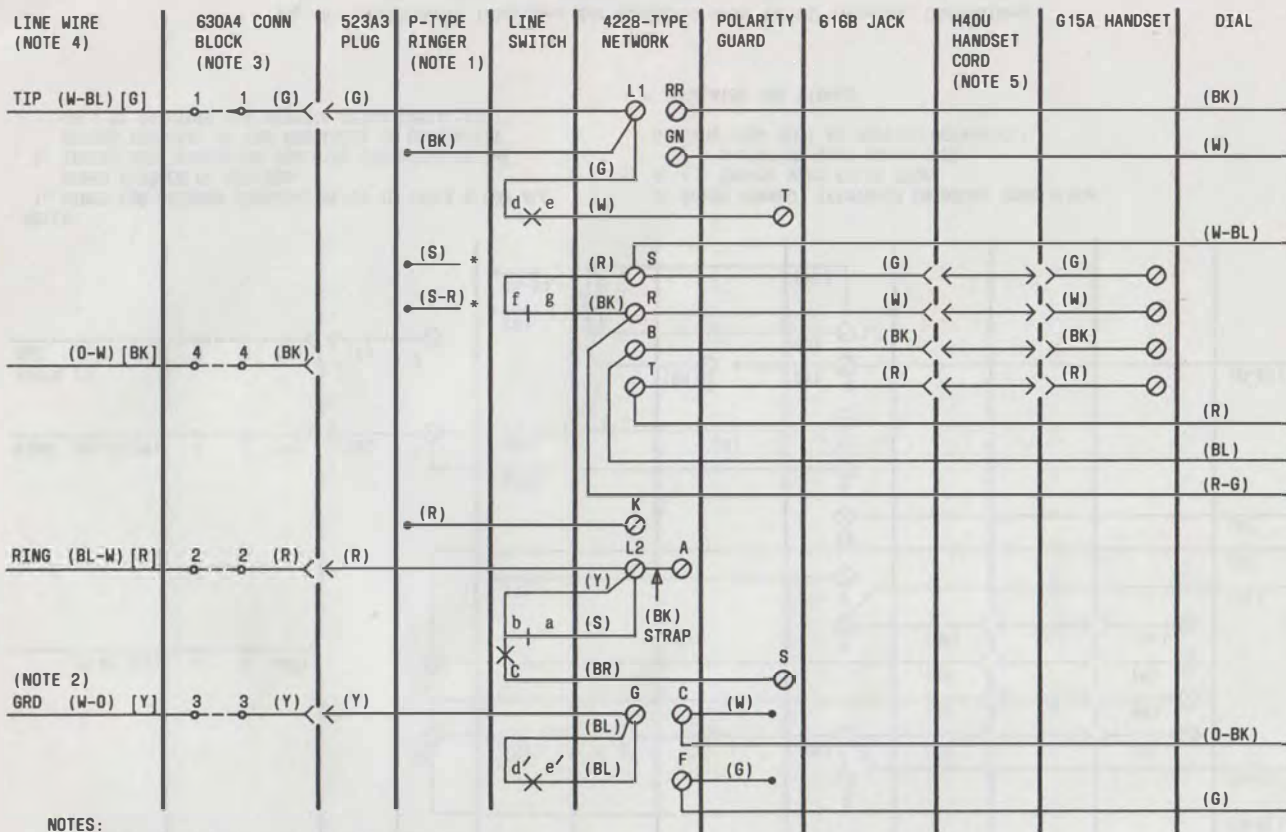
NOTES:

1. WIRED FOR BRIDGED RINGING, REFER TO TABLE B FOR ALL OTHER CLASSES OF SERVICE.
2. INSIDE WIRE CONDUCTOR SHALL BE CONNECTED TO THE GROUND TERMINAL AT THE PROTECTOR OR EQUIVALENT ONLY IF REQUIRED FOR SERVICE BEING INSTALLED.

3. QUICK CONNECT TERMINALS ON 630A4 CONN BLOCK.
4. () INSIDE WIRE COLOR CODE
[] O-STATION WIRE COLOR CODE
5. H4DU CORD MUST BE ORDERED SEPARATELY.

* INSULATED AND STORED

Fig. 8—2554BMPG Telephone Set Equipped with 4010D Network, Connections

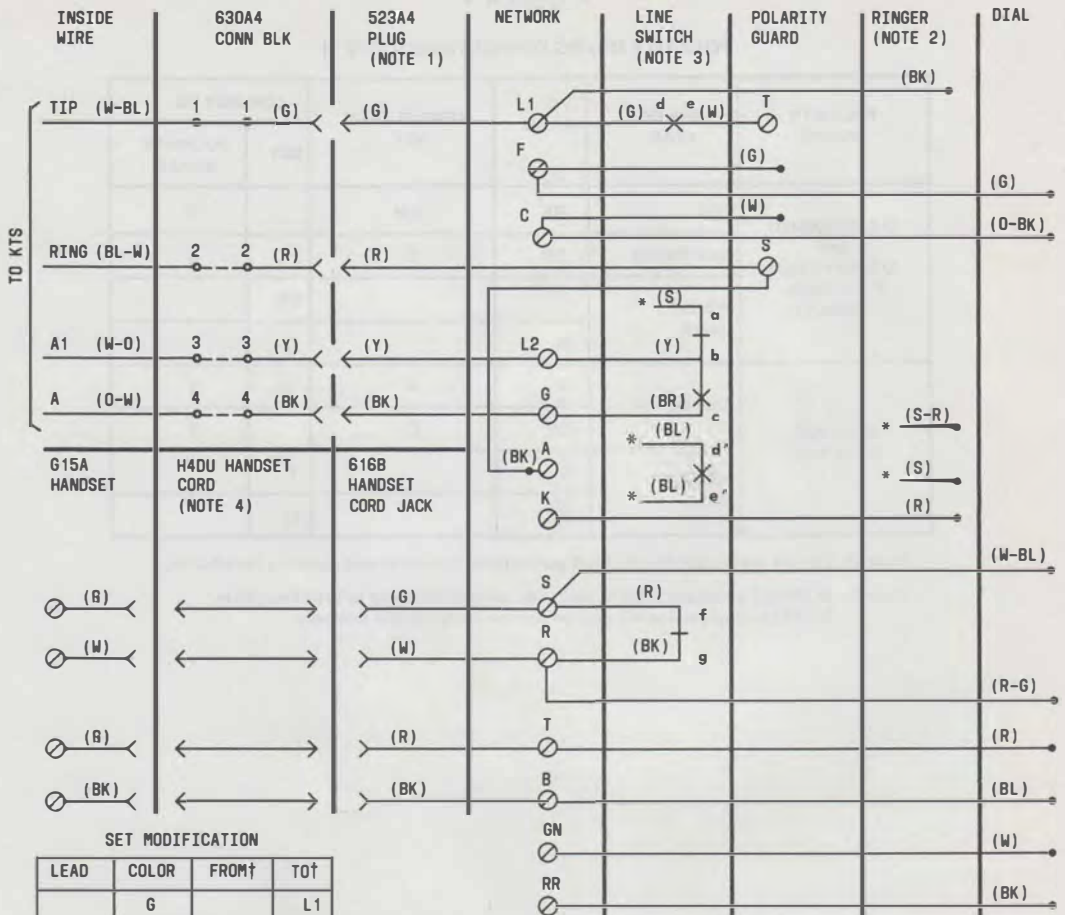


NOTES:

1. WIRED FOR BRIDGED RINGING, REFER TO TABLE C FOR ALL OTHER CLASSES OF SERVICE.
2. INSIDE WIRE CONDUCTOR SHALL BE CONNECTED TO THE GROUND TERMINAL AT THE PROTECTOR OR EQUIVALENT ONLY IF REQUIRED FOR SERVICE BEING INSTALLED.
3. QUICK CONNECT TERMINALS ON 630A4 CONN BLOCK.

4. () INSIDE WIRE COLOR CODE
[] D-STATION WIRE COLOR CODE
5. H40U CORD MUST BE ORDERED SEPARATELY.
*INSULATED AND STORED

Fig. 9—2554BMPG Telephone Set Equipped With 4228K Network, Connections



NOTES:

1. REPLACE 523A3 PLUG WITH 523A4 PLUG, ORDERED SEPARATELY.
2. WIRED FOR INDIVIDUAL OR BRIDGED RINGING.
3. TO PREVENT FALSE HOLD CONDITION WHEN GOING ON-HOOK, THE TIP CONTACT OF THE LINE SWITCH MUST BREAK BEFORE "A" LEAD CONTACTS. (FIELD ADJUSTMENT OF LINE SWITCH NOT RECOMMENDED).
4. H4DU CORD MUST BE ORDERED SEPARATELY.

* INSULATE AND STORE

† NETWORK TERMINALS UNLESS OTHERWISE INDICATED.

‡ POLARITY GUARD TERMINAL.

Fig. 10—2554BMPG Telephone Set Modified for A-Lead Control

◆ TABLE A ◆

POLARITY GUARD CONNECTIONS (NOTE 1)

POLARITY GUARD	WIRE OR LEAD	COLOR	REMOVE FROM NET	CONNECT TO	
				NET	POLARITY GUARD
D-180190(MD) and D-180547(MD) Kit of Parts (Note 2)	Dial	BK	RR		T
	Line Switch	BR	C		S
	Polarity Guard	G		RR	
		W		C	
D-180896 Kit of Parts	Line Switch	W	F		T
		BR	C		S
	Polarity Guard	G		F	
		W		C	

Note 1: For use when specified by local instructions for end-to-end signaling installation.

Note 2: D-180547 guard assembly is used only on sets with plug in type baseplates.
D-180190 guard assembly may be used on early version sets only.

TABLE B

LINE AND RINGER CONNECTIONS FOR SETS EQUIPPED WITH 4010D NETWORK

WIRE OR LEAD		COLOR	INDIV. OR BRIDGED	RING PARTY	TIP PARTY		
					NO. IDENT. GROUND	IDENT. GRD.	
						1000 Ω	2650 Ω
Line Wire or 523A3 or 523A4 Plug Assy Leads (Note 2)	Tip	G	1	1	2	2	2
	Ring	R	2	2	1	1	1
	Grd	Y	3	3	3	3	3
	Spare	BK	*	*	*	*	*
Ringer Leads (Note 1)		BK	1	3	3	3	3
		BL (Note 3)	*	*	*	*	*
		S	*	*	*	B	*
		S-R	*	*	*	*	B
		R	K	K	K	K	K
Line Switch		W (Note 4)	F	F	C	C	C
		S	A	A	A	A	A
		BR (Note 4)	C	C	F	F	F
BK Strap			2-A	2-A	2-A	*-A	*-A

Note 1: To silence ringer for all classes of service, refer to appropriate ringer section in Division 501.

Note 2: 523A3 plug assembly does not have a (BK) lead.

Note 3: (BL) lead has been removed from later model ringers.

Note 4: This change does not apply to sets equipped with polarity guard.

* Insulate and store.

TABLE C

LINE AND RINGER CONNECTIONS FOR SETS EQUIPPED WITH 4228-TYPE NETWORK

WIRE OR LEAD		COLOR	INDIV. OR BRIDGED	RING PARTY	TIP PARTY		
					NO. IDENT. GROUND	IDENT. GRD.	
						1000 Ω	2650 Ω
Line Wire or 523A3 or 523A4 Plug Assy Leads (Note 2)	Tip	G	L1	L1	L2	L2	L2
	Ring	R	L2	L2	L1	L1	L1
	Grd	Y	G	G	G	G	G
	Spare	BK	*	*	*	*	*
Ringer Leads (Note 1)		BK	L1	G	G	G	G
		S	*	*	*	B	*
		S-R	*	*	*	*	B
		R	K	K	K	K	K
Line Switch		W (Note 3)	F	F	C	C	C
		S	L2†	L2†	L2†	A	A
		BR (Note 3)	C	C	F	F	F
BK Strap			L2-A	L2-A	L2-A	*-A	*-A

Note 1: To silence ringer for all classes of service, refer to appropriate ringer section in Division 501.

Note 2: 523A3 plug assembly does not have a (BK) lead.

Note 3: This change does not apply to sets equipped with a polarity guard.

* Insulate and store

† On some sets (S) line switch lead is connected to A of network.