

## SERVICE

### 1500Y TELEPHONE SETS

#### 1. GENERAL

1.01 Reissued to add nontechnical changes to Fig. 1 and 2.

TABLE A

POLARITY GUARD CONNECTIONS  
(P-90D052 GUARD ASSEMBLY)

LEAD	COLOR	REMOVE FROM NET.	CONNECT TO	
			POLARITY GUARD	NET.
Dial	(BK)	RR	T	
Line Switch	(BR) [S-BR]	C	S	
Polarity Guard	(G) (W)			RR C

Note: For use when specified by local instructions for end-to-end signaling installation.

( ) Current color code

[ ] MD color code.

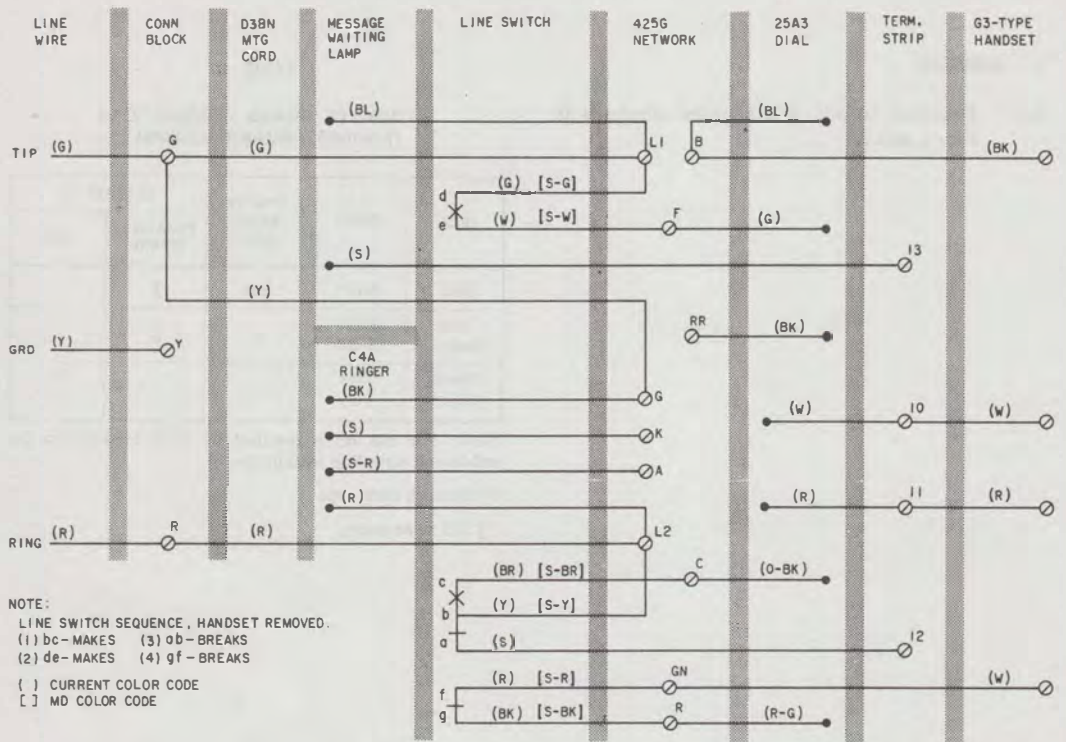


Fig. 1—1500Y (MD) Telephone Set Connections With 25A3 (MD) Dial

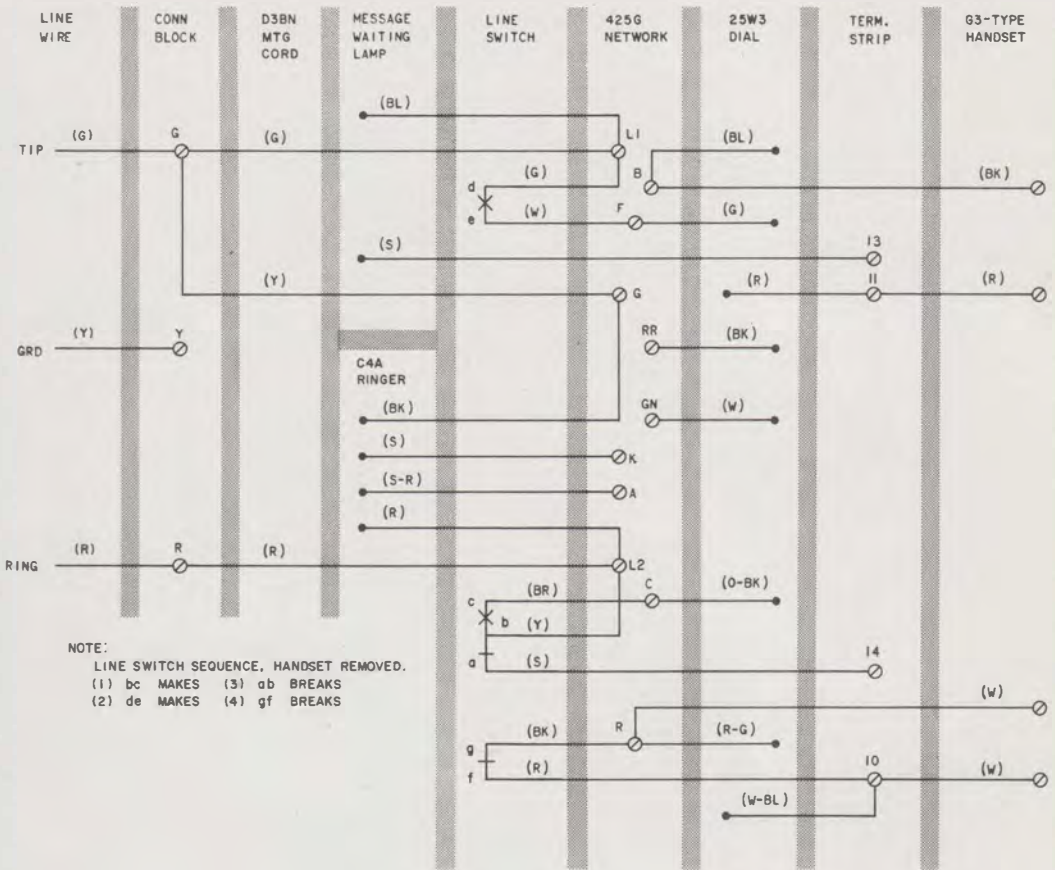


Fig. 2—1500Y (MD) Telephone Set Connections With 25W3 (MD) Dial

## SERVICE

### 1500Y TELEPHONE SETS

#### 1. GENERAL

1.01 Reissued to add nontechnical changes to Fig. 1 and 2.

TABLE A

POLARITY GUARD CONNECTIONS  
(P-90D052 GUARD ASSEMBLY)

LEAD	COLOR	REMOVE FROM NET.	CONNECT TO	
			POLARITY GUARD	NET.
Dial	(BK)	RR	T	
Line Switch	(BR) [S-BR]	C	S	
Polarity Guard	(G) (W)			RR C

Note: For use when specified by local instructions for end-to-end signaling installation.

( ) Current color code

[ ] MD color code.

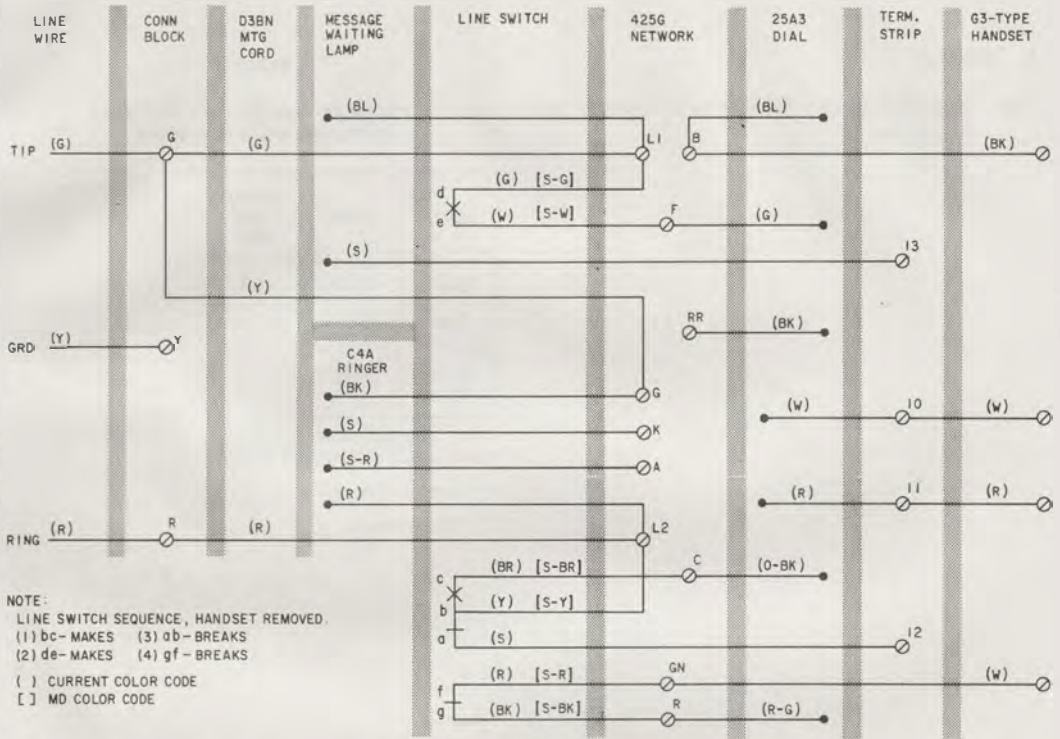


Fig. 1—1500Y (MD) Telephone Set Connections With 25A3 (MD) Dial

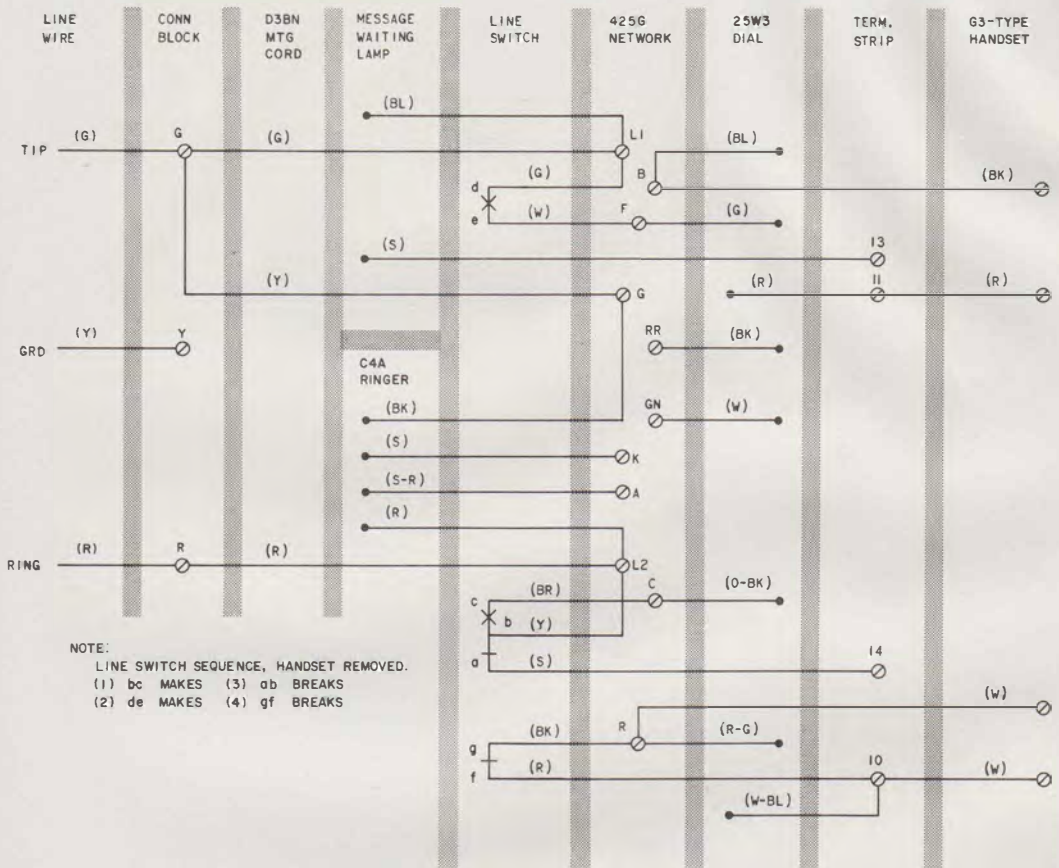


Fig. 2—1500Y (MD) Telephone Set Connections With 25W3 (MD) Dial